

THIS DRAWING IS UNPUBLISHED. RELEASED FOR PUBLICATION
 © COPYRIGHT BY TYCO ELECTRONICS CORPORATION. ALL RIGHTS RESERVED.

LOC	DIST	REVISIONS			
P	LTR	DESCRIPTION	DATE	DWN	APVD
J		A	RELEASED	09DEC05	KK HY
		B	REVISED ECR-10-007503	30APR10	TS KB

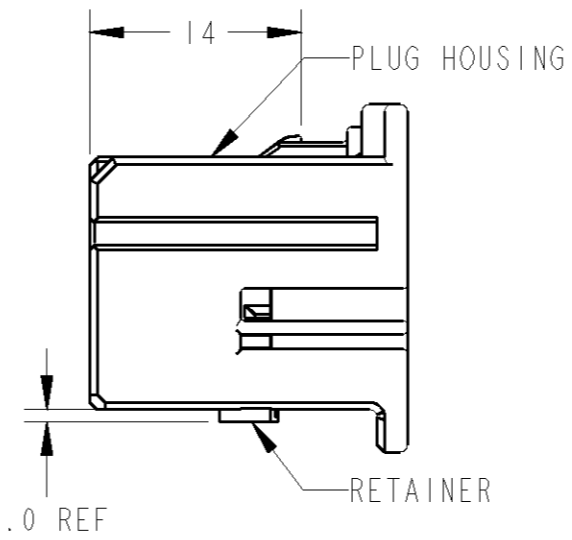
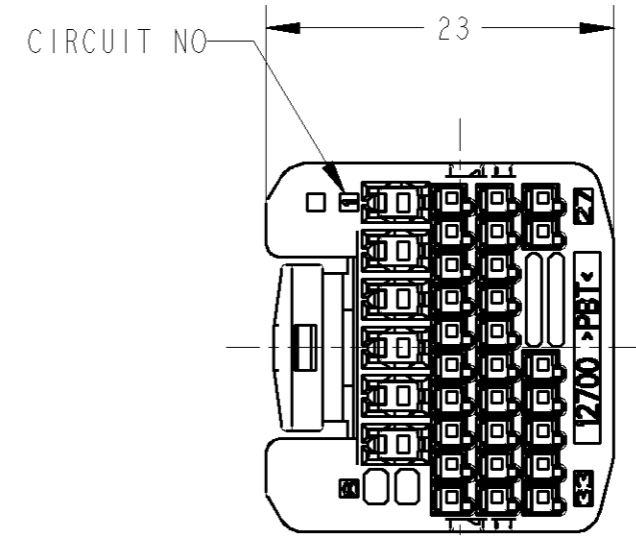
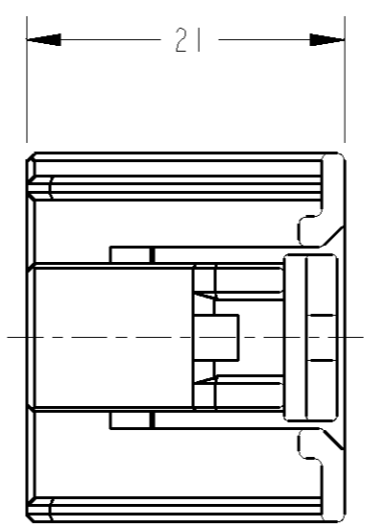
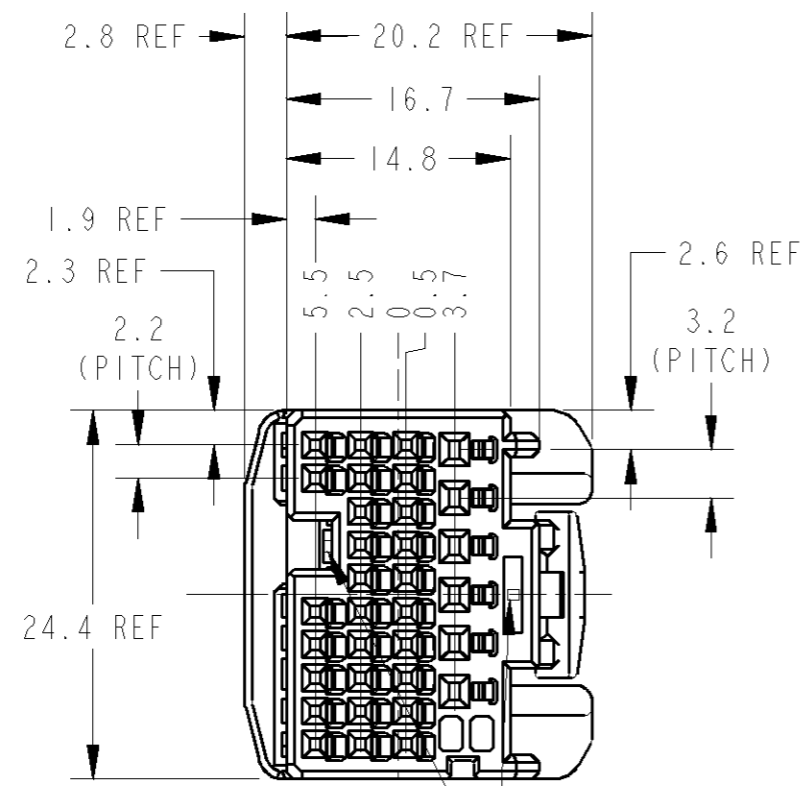


TABLE-1

POS 極数	CAP ASSEMBLY PART NO キャップ型番
200	1473649

TABLE-2

SIGNAL 0.64111	TERMINAL NO 端子型番	APPLICABLE WIRE RANGE 適用電線
SIGNAL 0.64111	TIN	1674311-1
	SELECTIVE GOLD	1674311-2
	TIN	1674936-1
	SELECTIVE GOLD	1674936-2
POWER 1.0111	SELECTIVE GOLD	316837-2
	TIN	316836-1
	TIN	316838-1
	TIN	1123653-1
	TIN	1674769-1
	TIN	1717172-1

1. RETAINER SHOULD BE SENT TO THE PRE-ASSEMBLY POSITION WITHIN THE PLUG HOUSING WHEN SHIPPED TO THE CUSTOMER
2. INSTRUCTION SHEET NO.411-78080
3. PART NUMBER OF CAP HOUSING TO BE MATED;SEE TABLE-1
4. APPLIED TERMINALS; SEE TABLE-2

1. プラグハウジングにリテーナを仮挿止して出荷される
2. 取扱説明書NO.411-78080
3. 嵌合相手型番: TABLE-1参照
4. 適用端子; TABLE-2参照

PAPER BOX	PLASTIC BAG	NATURAL	1827617-1
OUTER	INNER	COLOR	PART NUMBER
PACKING STYLE			

THIS DRAWING IS A CONTROLLED DOCUMENT FOR TYCO ELECTRONICS CORPORATION
 IT IS SUBJECT TO CHANGE AND THE CONTROLLING ENGINEERING ORGANIZATION
 SHOULD BE CONTACTED FOR THE LATEST REVISION.

DIMENSIONS: mm	TOLERANCES UNLESS OTHERWISE SPECIFIED: ±0.3
	0-PLC ±
	1-PLC ±
	2-PLC ±
	3-PLC ±
	4-PLC ±
	ANGLES ±3°00'
MATERIAL PBT	FINISH //

DWN K.KATO	09DEC05	Tyco Electronics Corporation Kawasaki, Japan
CHK H.YAMAGAMI	09DEC05	
APVD S.ISOHATA	09DEC05	
PRODUCT SPEC 108-5877		
APPLICATION SPEC 114-5217,-5329		NAME 0.64111 / 1.0111 CONNECTOR 33P PLUG HOUSING ASSEMBLY
WEIGHT 5.7 g	SIZE A3	CAGE CODE 00779
CUSTOMER DRAWING	DRAWING NO C=1827617	RESTRICTED TO
	SCALE 2.1	SHEET 1
		OF 1
		REV B