

PRODUCT NUMBER
91614-YXXZLF

WHEN NEEDED, LF MEANS RoHS COMPATIBLE PRODUCT, NOTE 7.
OMIT IS NOT NEEDED.

A: TAPE & REEL PACKAGING, PRODUCT AND CAP GREY, TA-856.
G: TAPE & REEL PACKAGING, PRODUCT AND CAP BLACK, TA-856.
AV: TAPE & REEL PACKAGING FOR VALEO, PRODUCT AND CAP GREY TA-856.
KV: TAPE & REEL PACKAGING WITHOUT PICK-UP CAP FOR VALEO, TA-856.
TV: TUBE WHITOUT CAP FOR VALEO, GREY COLOR.
: OMIT LETTER MEANS STD PACKAGING TUBE, NOTE 3.

NUMBER OF POSITIONS: 03 UP TO 25, OVER 25 POS ON REQUEST

PLATING CODE

3= 0.76µm GOLD ON CONTACT AREA.

3.81µm TIN-LEAD ON TAIL.

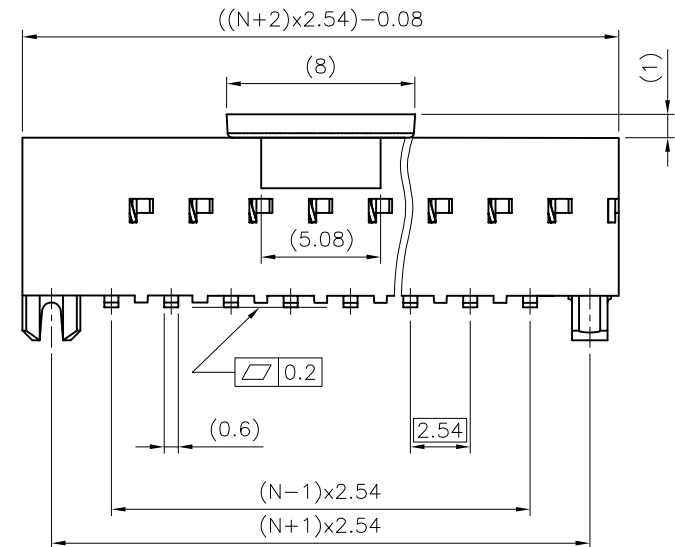
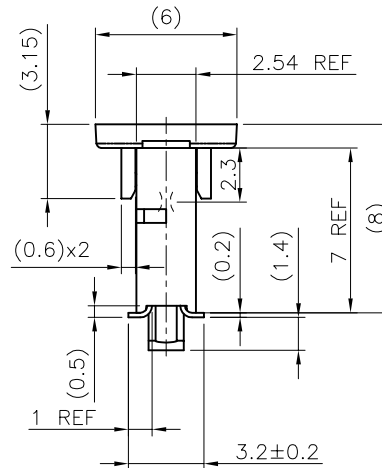
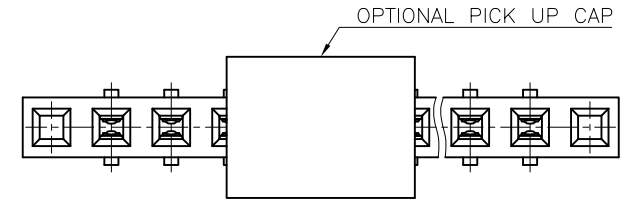
4= 5µm TIN-LEAD ON CONTACT AREA.

3.81µm TIN-LEAD ON TAIL.

WHEN SUFFIX "LF" IS REQUIRED, 2µm MIN MATTE TIN OVER 1.27 MIN Ni IS SUPPLIED INSTEAD OF SnPb.

NOTES:

- 1 - HOUSING & PICK UP CAP MATERIAL: HIGH TEMPERATURE THERMOPLASTIC GLASS FILLED FLAME RETARDANT PER UL 94 COLOR: GREY or BLACK
- 2 - TERMINAL MATERIAL: PHOSPHOR BRONZE.
- 3 - 91614-YXX(LF) & 91614-YXXG(LF) ARE PACKED IN TUBE.
- 4 - TO DETERMINE DIMENSIONS:
N = NUMBER OF POSITIONS
EXAMPLE: 8 POS: $((N+2) \times 2.54) - 0.08 = 25.32$ mm.
- 5 - RECOMMENDED IR PROFILE PER TA842.
- 6 - $\phi 2.65$ MINI FOR PICK & PLACE ASSEMBLY(=0 INSERTION FORCE).
- 7 - RoHS COMPATIBLE PRODUCT SPECIFICATIONS
 - a - PLATING:
 - "LF" MEANS THE PRODUCT IS LEAD-FREE, 2µm MINIMUM MATTE TIN OVER 1.27µm MINIMUM NICKEL UNDERPLATE.
 - b - MANUFACTURING PROCESS COMPATIBILITY
 - THE HOUSING WILL WITHSTAND EXPOSURE TO 260°C PEAK TEMPERATURE FOR 30 SECONDS MAX IN A CONVECTION, INFRA-RED OR VAPOR PHASE OR REFLOW OVEN.
 - c - LABELING:
 - MEETS PACKAGING SPECS AS PER GS-14-920
 - d - LEGAL STATEMENT: SEE GS-22-008



mat'l. code		surface		tolerance		projection		product family	
SEE NOTES		ISO 1302		ISO 406 ISO 1101				DUBOX	
ltr	ecn no	dr	date	tolerances unless otherwise specified		mm		title	
X	F07-0245	PNZ	07.08.14	angles	linear	±0.3		BtB RECEPT.	
Y	F08-0102	PNZ	08.01.18	±2'		scale 1:1		VERT SR SMT	
AA	F11-0338	JCO	11.11.05	dr	D LEGRAND	02.01.31	dwg no		sheet 1 of 2
				enr	P NIZZI	02.01.31	91614		A3
V	F07-0165	DLE	07.03.30	chr	DLE	02.01.31	type		CUSTOMER Drawing
W	F07-0234	LMU	07.07.10	appd	PNZ	02.01.31			
sheet	revision	AB	B						
index	sheet	1	2						

1

2 3

4

5

6

A

B

C

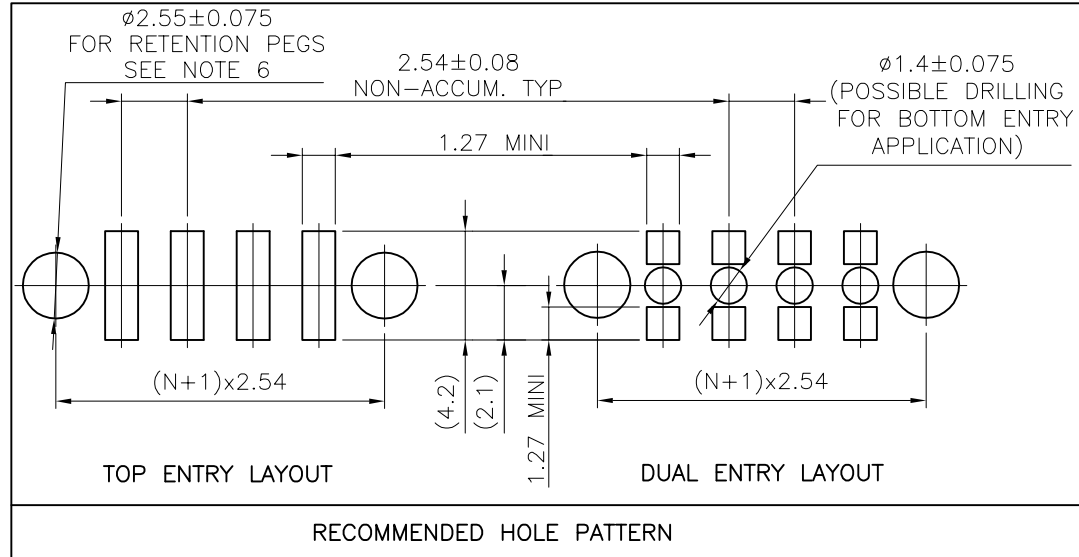
D

A

B

C

D



FCconnect.com

Copyright FCJ

mat'l. code		surface		tolerance		projection		product family		
SEE NOTES		ISO 1302		ISO 406 ISO 1101				DUBOX		
ltr	ecn no	dr	date	tolerances unless otherwise specified		mm		title		
A	F04-0347	DLE	04.11.10	angles	linear	±0.3		BtB RECEPT.		
B	F06-0204	DLE	06.06.23	±2'		scale 1:1		VERT SR SMT		
		dr	D LEGRAND	04.11.10				dwg no		
		enr	P NIZZI	04.11.10				sheet 2 of -		size
		chr	D LEGRAND	04.11.10				91614		A3
		appd	P NZ	04.11.10				type CUSTOMER		Drawing
sheet	revision									
index	sheet									