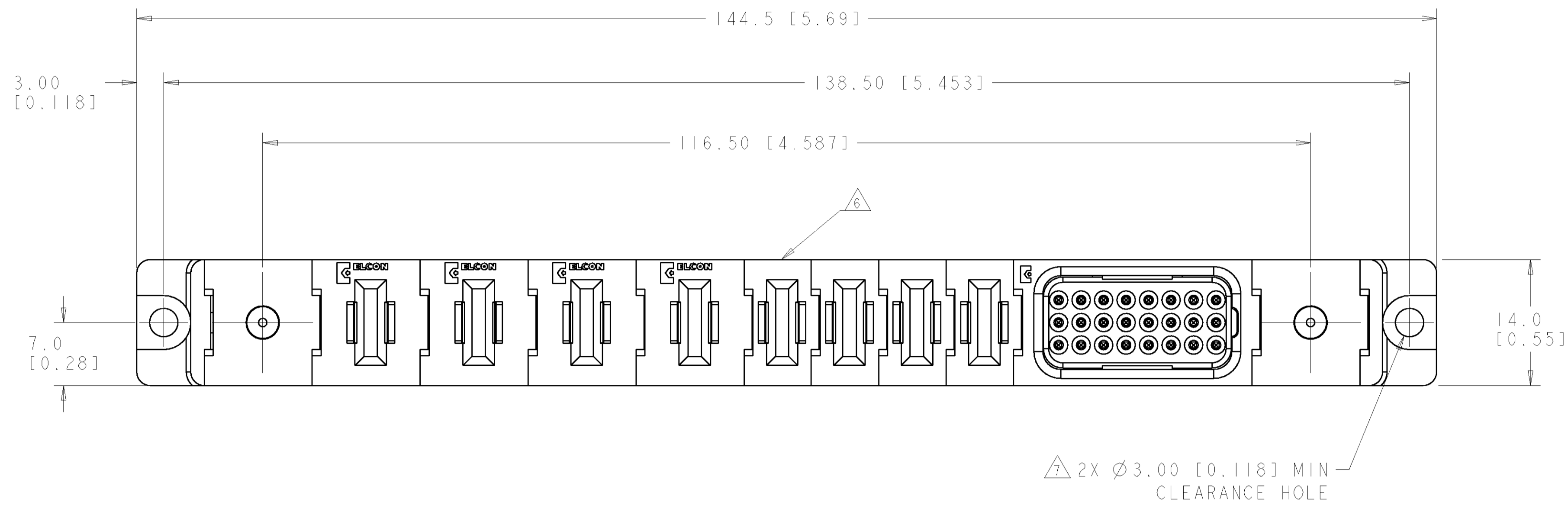
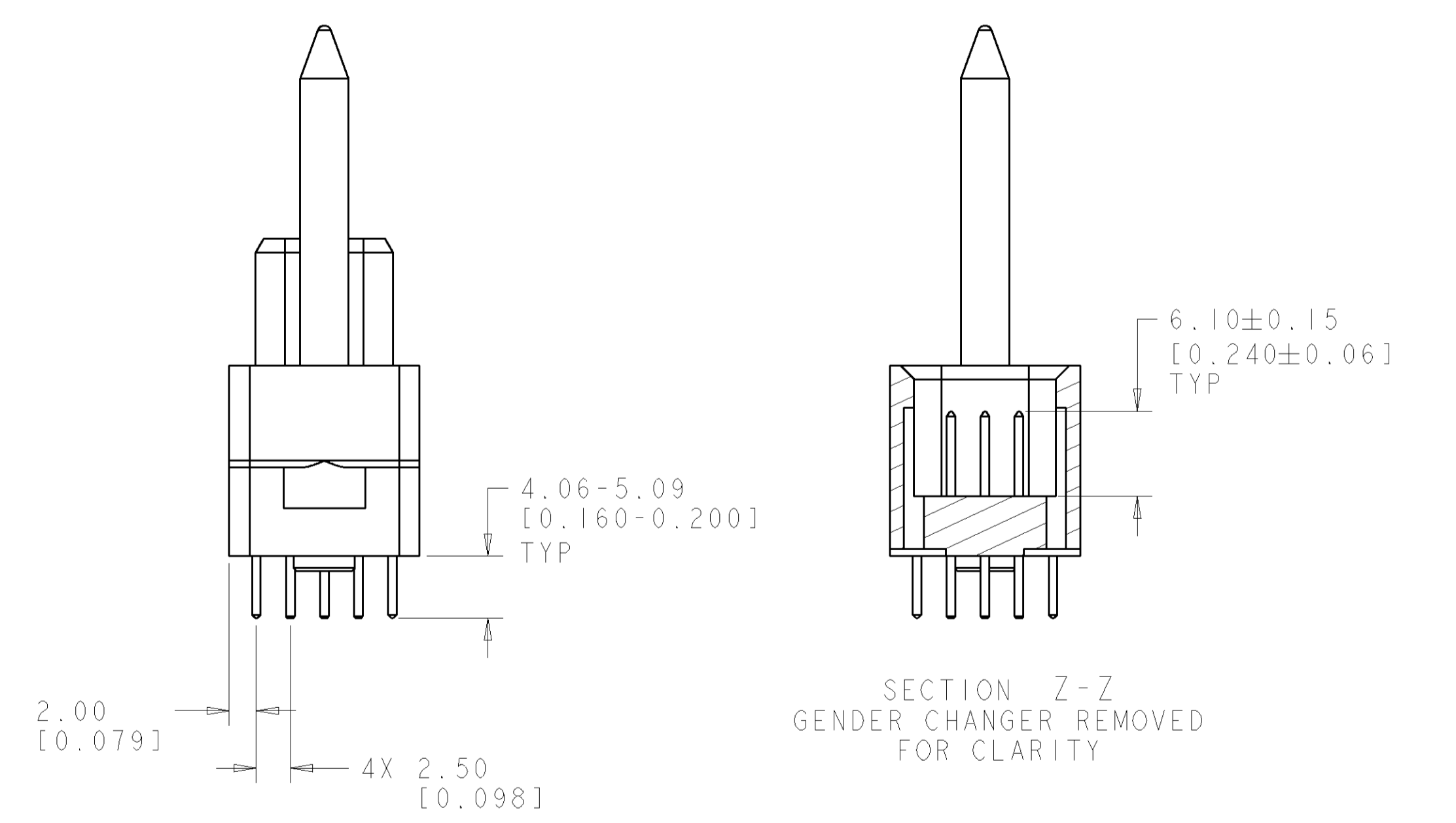
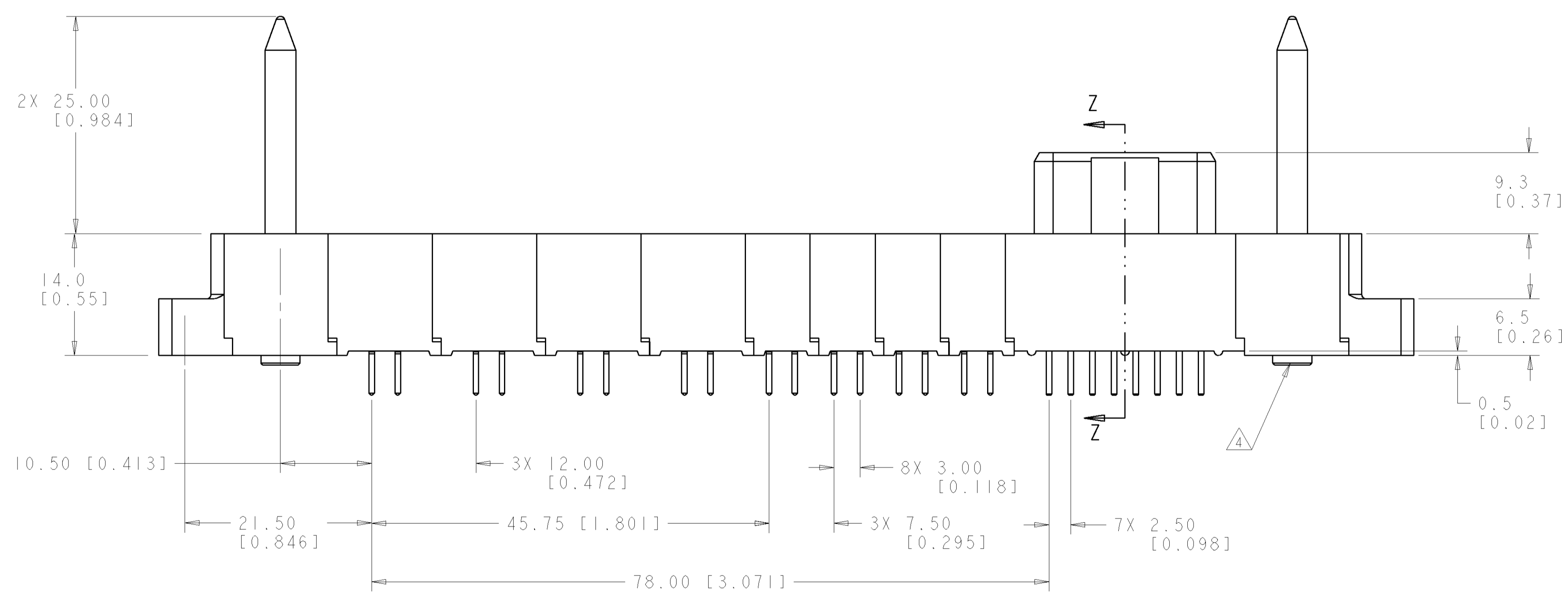


LOC	DIST	REVISIONS					
GP	00	P	LTR	DESCRIPTION	DATE	DRN	APVD
		A		RELEASED	15FEB2007	RG	PD



- PART NUMBER CHANGES AND OR DESIGN CHANGES AFFECTING ITEM INTERCHANGEABILITY REQUIRE PRIOR TYCO APPROVAL AND AUTHORIZATION BY REVISION TO THIS DRAWING.
- MATERIAL:
 INSULATORS - THERMOPLASTIC, GLASS REINFORCED, COLOR: BLACK
 UL94V-0 FLAMMABILITY RATED.
 POWER CONTACTS - PHOSPHOR BRONZE ALLOY,
 COPPER ALLOY
 SIGNAL PINS-BRASS ALLOY
 CROWN BAND-BERYLLIUM COPPER ALLOY
 GUIDE PIN-COPPER ALLOY
- FINISH:
 CONTACTS - GOLD PLATE .000030" MIN. THK., OVER NICKEL
 .000050" MIN. THK
 TERMINALS- TIN .000120" MIN. THK, OVER NICKEL .000050 MIN THK.
 GUIDE PIN - SILVER PLATE .000200" MIN THK. OVER NICKEL .00004" MIN THK.

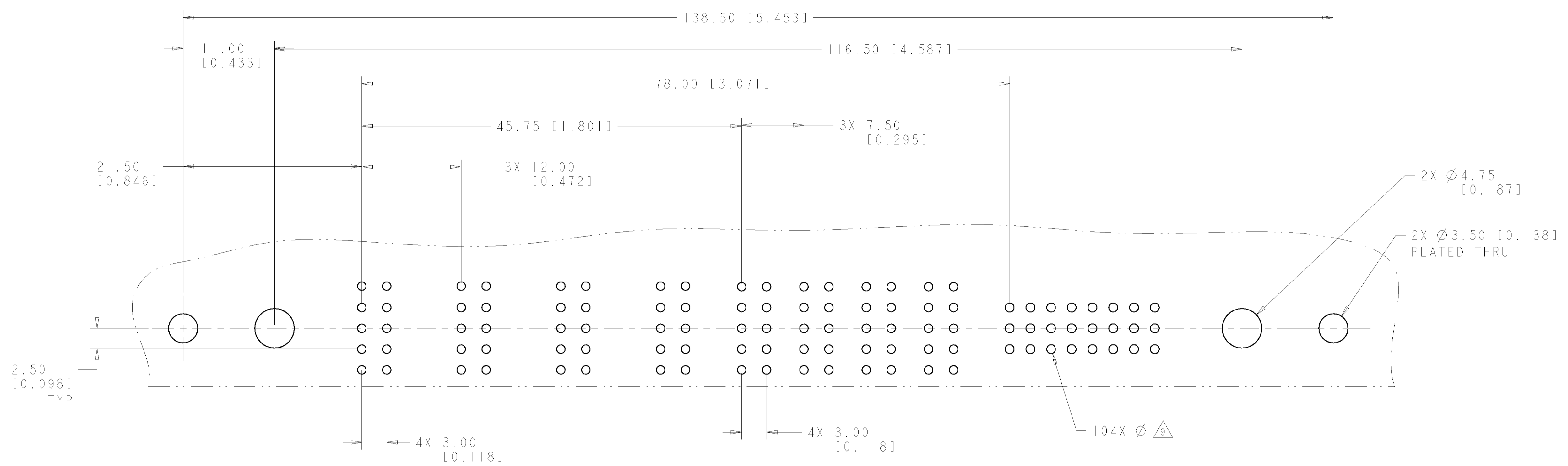
- △ ACTIVE GUIDE PIN ACCEPT M3 SCREWS, (USER SUPPLIED)
 - THIS CONNECTOR MATES WITH SOCKET CONNECTOR PN 1926308-1
 - △ ITEMS PROVIDED TO THIS SPECIFICATION TO BE PERMANENTLY IDENTIFIED PER THE FOLLOWING IDENTIFIER LABEL
- YEAR WEEK
 TYCO PART NO. DATE CODE (e.g. 0106)
 XXXXXXXX-X XXXX
- △ MOUNTING FLANGES ACCEPT #6 SCREWS. (USER SUPPLIED)



ELCON FLATPAQ

AS SHOWN		1926309-1	
DESCRIPTION		PART NUMBER	
DIMENSIONS: mm [INCHES] TOLERANCES UNLESS OTHERWISE SPECIFIED: 0 PLC ±. 1 PLC ±.5 (.020) 2 PLC ±.25 (.010) 3 PLC ±. 4 PLC ±. ANGLES ±.5		DWN: B. GRZYBOWSKI 01DEC06 CHK: P. DAMATO 01DEC06 APVD: S. FLICKINGER 01DEC06 PRODUCT SPEC: - APPLICATION SPEC: - WEIGHT: - MATERIAL: - FINISH: - CUSTOMER DRAWING	
tyco Electronics Tyco Electronics Harrisburg, PA 17105-3608		NAME: SOCKET CONNECTOR STRAIGHT, SOLDER TAILS FLATPAQ SIZE: A 00779 C=1926309 SCALE: 2:1 SHEET 1 OF 3 REV A	

LOC	DIST	REVISIONS			
P.	LTR	DESCRIPTION	DATE	DRN	APVD
-	-	SEE SHEET 1	-	-	-



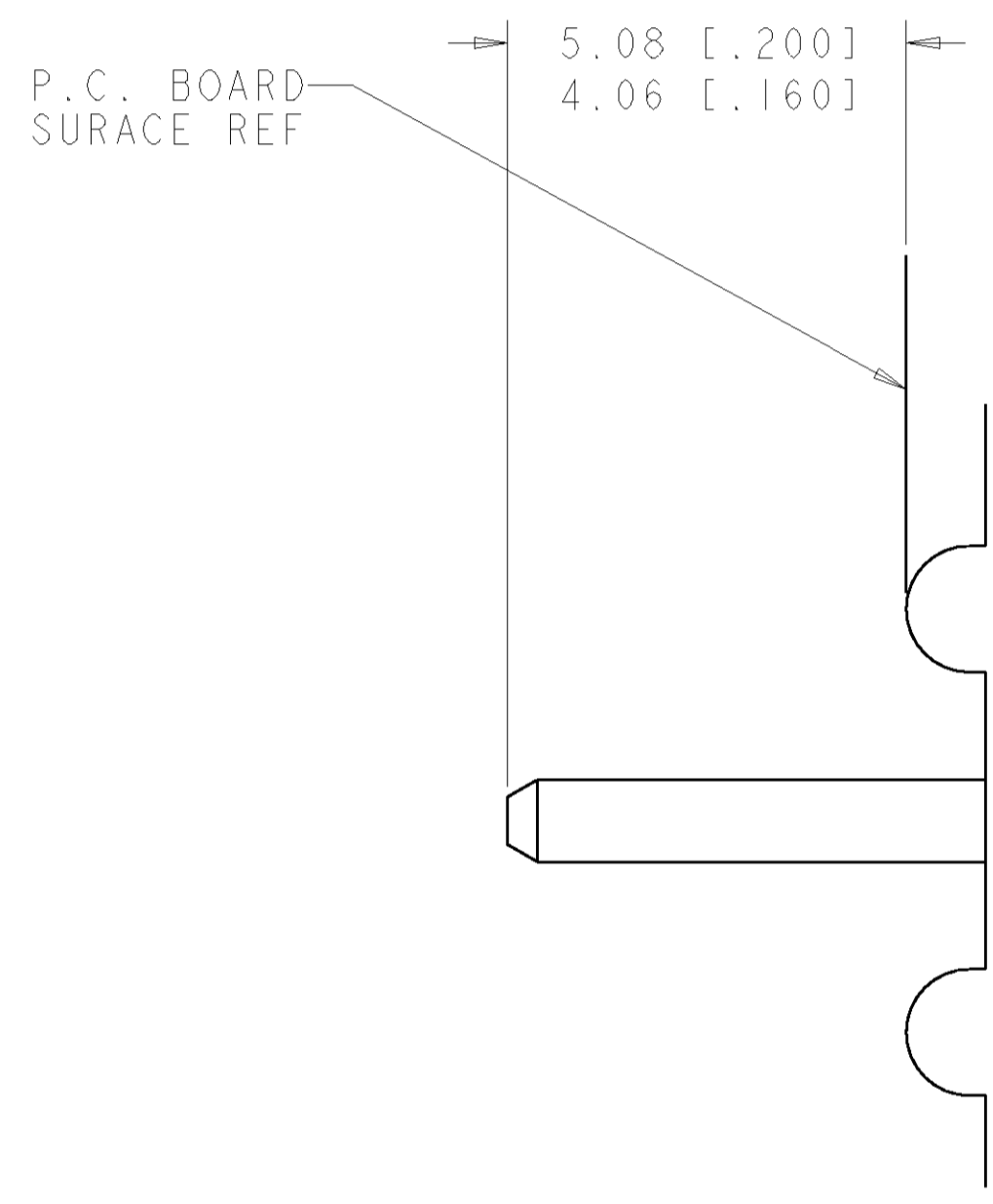
PRINTED CIRCUIT LAYOUT
 COMPONENT SIDE

CONNECTOR	CATALOG MODULE #	QTY	SIZE NO.	CONTACT QTY	MATING PIN	MAX. CURRENT (PER CONTACT)	CONTACT SPACING	VOLTAGE RATING
SOCKET	FP100	4	8	4	1.25 X 7.00 [.049 X .276]	35 amps	7.50 [0.295]	250 VOLTS
	FP116	4	8	4	1.25 X 7.00 [.049 X .276]	35 amps	12.00 [.4724]	600 VOLTS
	FP301	1	22	24	.64 [.025] SQ.	3 amps	2.50 [.0984]	125 VOLTS
	FP515	2	ACTIVE STRAIGHT GUIDE PIN					
	FP500	1	MOUNTING FLANGE, LEFT					
	FP501	1	MOUNTING FLANGE, RIGHT					

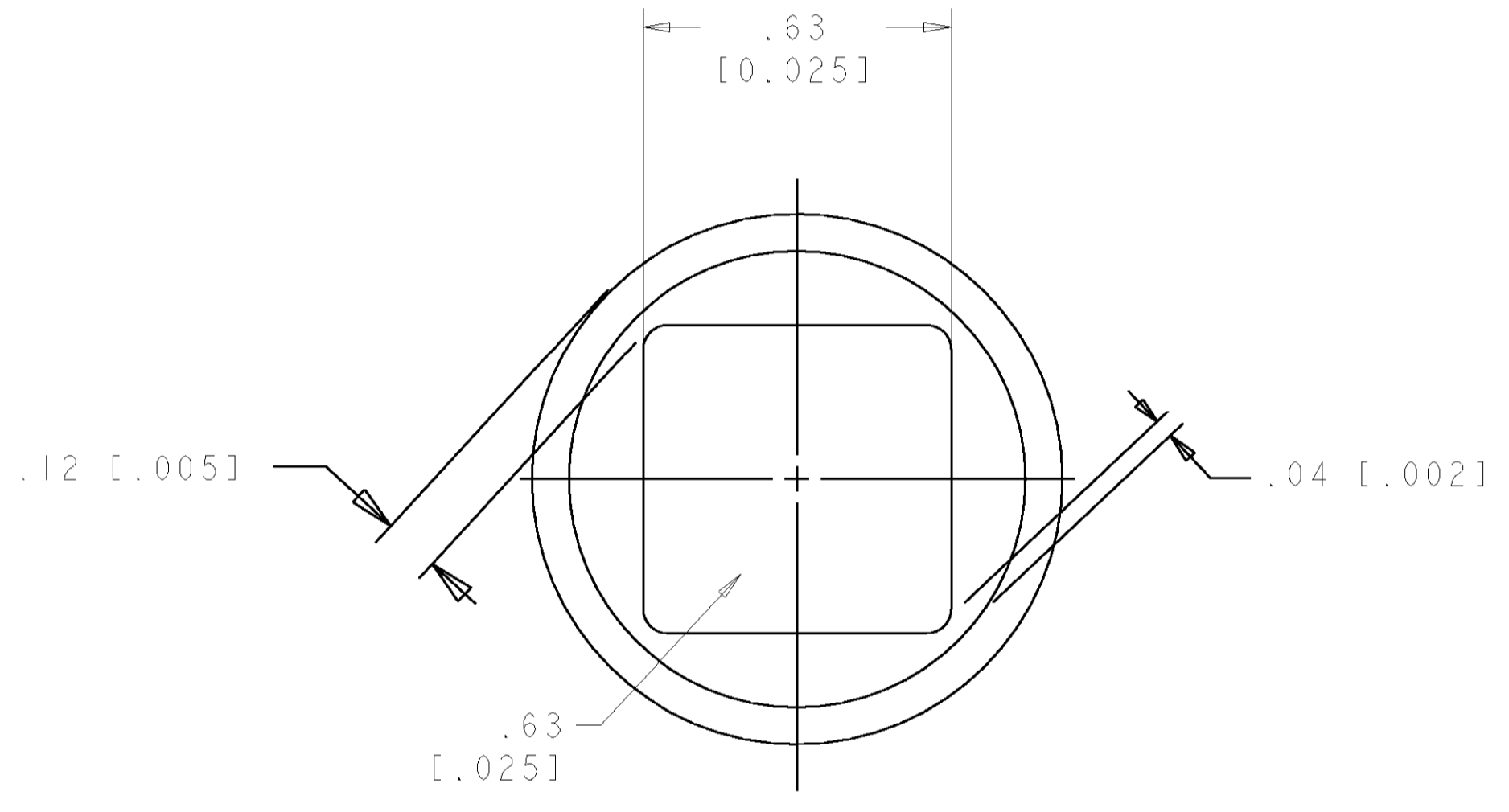
ELCON FLATPAQ

DIMENSIONS: mm [INCHES]		TOLERANCES UNLESS OTHERWISE SPECIFIED: 0 PLC ± .5 [.020] 1 PLC ± .5 [.020] 2 PLC ± .25 [.010] 3 PLC ± .25 [.010] 4 PLC ± .25 [.010] ANGLES ± .5		DWN B. GRZYBOWSKI DTDEC06 CHK P. DAMATO DTDEC06 APVD S. FLICKINGER DTDEC06		tyco Tyco Electronics Harrisburg, PA 17105-3608	
MATERIAL - FINISH -		WEIGHT - CUSTOMER DRAWING		NAME SOCKET CONNECTOR STRAIGHT, SOLDER TAILS FLATPAQ		SIZE CAGE CODE DRAWING NO. RESTRICTED TO A 100779 C-1926309 -	
SCALE 2:1 SHEET 2 OF 3 REV A				DATE 10/27/06			

LOC	DIST	REVISIONS			
P.	LTR	DESCRIPTION	DATE	DWN	APVD
GP	00	SEE SHEET 1	-	-	-



8. SOLDER PIN DETAIL
SCALE 10 : 1



9. SOLDER TERMINATION AREA
 SCALE 40:1
 RECOMMENDED PRINTED CIRCUIT SOLDER HOLE
 FINISHED HOLE: $\varnothing 1.02$ [.040] $\pm .08$ [.003]
 DRILLED HOLE: $\varnothing 1.15$ [.0453] $\pm .013$ [.0005]
 COPPER PLATE: .025 [.0010] MIN
 TIN PLATE: .008 [.0003] MIN. (PER SURFACE)

DIM "A"

<small>THIS DRAWING IS UNPUBLISHED. RELEASED FOR PUBLICATION. THIS DRAWING IS THE PROPERTY OF TYCO ELECTRONICS CORPORATION. IT IS TO BE USED ONLY FOR THE PURPOSES AND ORGANIZATION SPECIFIED HEREON. ANY REUSE OR REPRODUCTION OF THIS DRAWING WITHOUT THE WRITTEN PERMISSION OF TYCO ELECTRONICS CORPORATION IS STRICTLY PROHIBITED.</small>		DWN B. GRZYBOWSKI 01DEC06 ENR P. DAMATO 01DEC06 APVD S. FLICKINGER 01DEC06	tyco Electronics Tyco Electronics Harrisburg, PA 17105-3608
DIMENSIONS: mm [INCHES]	TOLERANCES UNLESS OTHERWISE SPECIFIED: 0 PLC ± 1 PLC ±.5 [.020] 2 PLC ±.25 [.010] 3 PLC ± 4 PLC ± ANGLES ±.5 FINISH	NAME SOCKET CONNECTOR STRAIGHT, SOLDER TAILS FLATPAQ PRODUCT SPEC APPLICATION SPEC WEIGHT CUSTOMER DRAWING	SIZE CAGE CODE DRAWING NO RESTRICTED TO A 100779 C=1926309 SCALE 2:1 SHEET 3 OF 3 REV A