

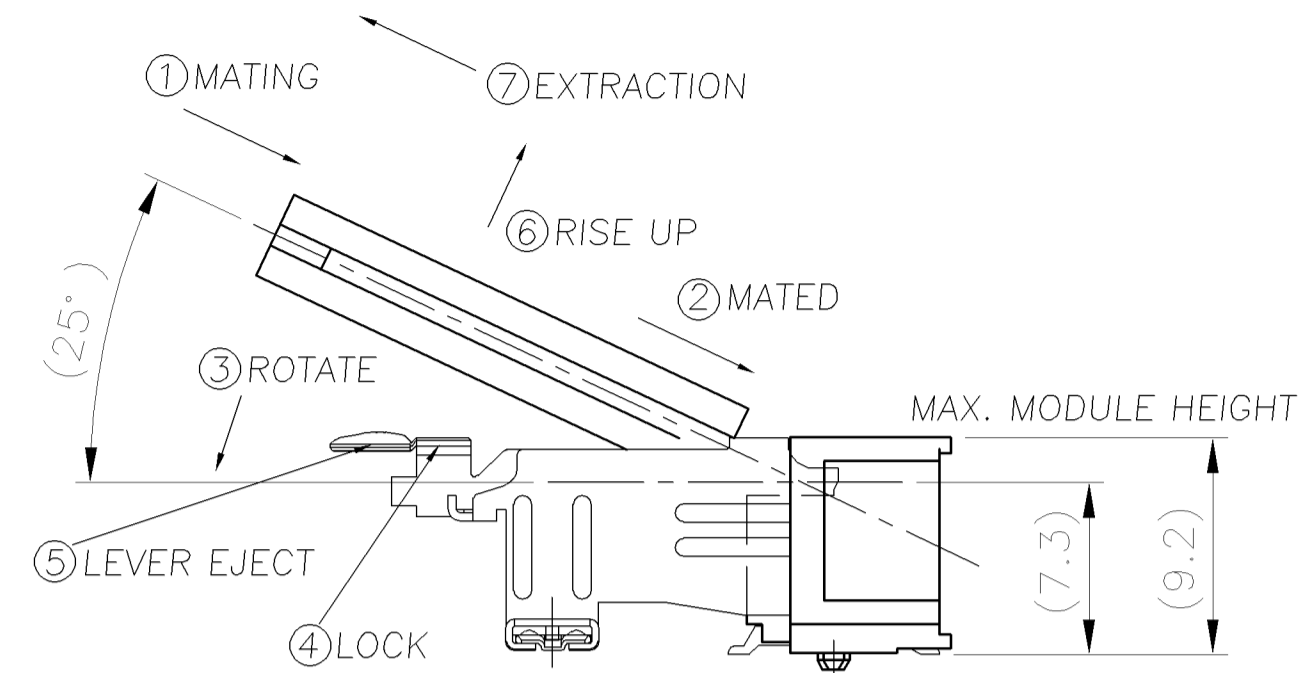
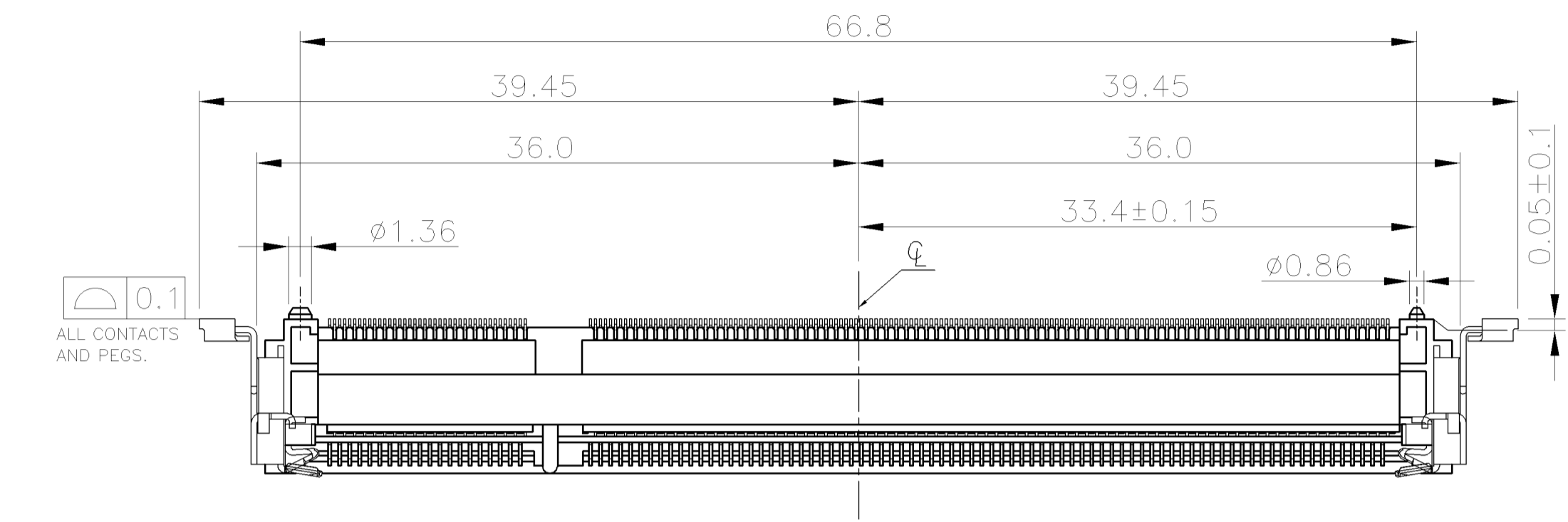
NUMBER
C-1775859

METRIC
3RD ANGLE PROJECTION

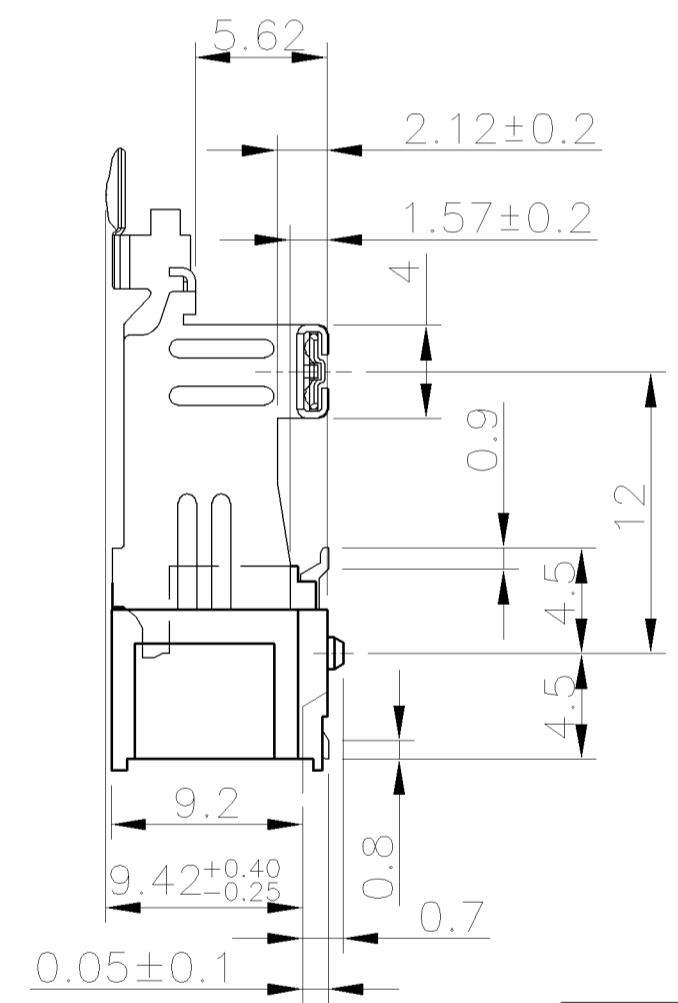
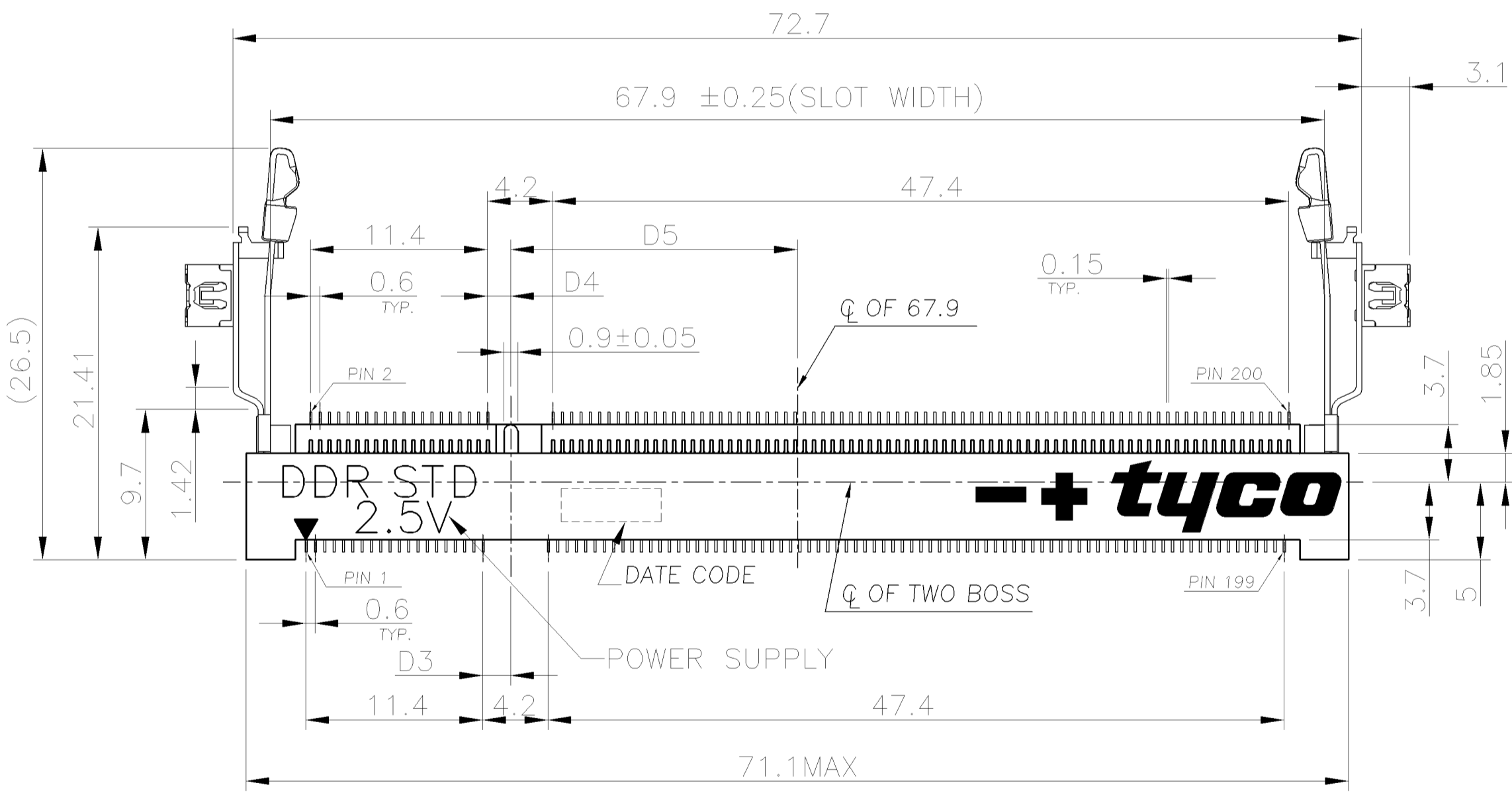
METRIC

THIS INFORMATION IS CONFIDENTIAL AND IS DISCLOSED TO YOU ON CONDITION THAT NO FURTHER DISCLOSURE IS MADE BY YOU TO OTHER THAN AMP PERSONNEL WITHOUT WRITTEN AUTHORIZATION FROM AMP (TAIWAN) LTD. DIMENSIONS IN MILLIMETERS. DO NOT SCALE PRINT.

PRINT DIST
DW



HOW TO MATE AND UNMATE
MATE: ① → ④
UNMATE: ⑤ → ⑦



- NOTES:
- MATERIAL:
 - HOUSING: THERMOPLASTIC, (LCP), UL94V-0; COLOR:BLACK.
 - CONTACTS: COPPER ALLOY
 - LATCH: STAINLESS STEEL
 - SOLDER PEG: BRASS
 - FINISH:
 - CONTACT:
 - 2μ" MIN. Au PALTED ON CONTACT AREA AND SOLDER AREA.
 - 50μ" MIN. NICKEL UNDERPLATING OVERALL.
 - SOLDER PEG:
 - 80μ" MIN. BRIGHT TIN PLATED OVER
 - 50μ" MIN. NICKEL UNDERPLATING OVERALL.
 - RECOMMENDED PCB THICKNESS : 1.2mm
 - REFLOW SOLDER CAPABLE TO 260°C PER TYCO SPEC. 109-201, CONDITION B.

HARD TRAY	2.5V	18.45	1.5	1.8	1775859-2
TAPE/REEL	2.5V	18.45	1.5	1.8	1775859-1
PKG TYPE	PWR. SUP.	D5	D4	D3	PART NUMBER

TOLERANCES UNLESS OTHERWISE SPECIFIED: 0 PLC ± 0.3 1 PLC ± 0.25 2 PLC ± 0.12 3 PLC ± 0.05 ANGLES ± 3'	DWN	S. HOU	tyco TYCO HOLDINGS (BERMUDA) Electronics VII LTD. TAIWAN BRANCH		
		15-DEC-2006			
MATERIAL SEE NOTE	CHK	W.J. KE	NAME DDR S.O. DIMM SOCKET, 200P, 9.2 HEIGHT, SMT. STANDARD TYPE		
		15-DEC-2006			
FINISH SEE NOTE	APVD	W.J. KE	LOC SIZE DRAWING NO REV DW A ₃ C-1775859 B		
		15-DEC-2006			
	PRODUCT SPEC		SCALE SHEET -- 1 OF 6		
	108-57807				
	QUALIFICATION TEST REPOERT				
	501-57813				
	WEIGHT				
	7.8 GRAM				

B	ADDED P/N: -2, 1-2	ECR-06-029363	SH WK	15DEC 2006
A	REVISED	ECR-06-006747	SH WK	22MAR 2006
O	FIRST RELEASED	--	SH WK	06JAN 2006
LTR	REVISION RECORD	ECN	DWN CHK	DATE

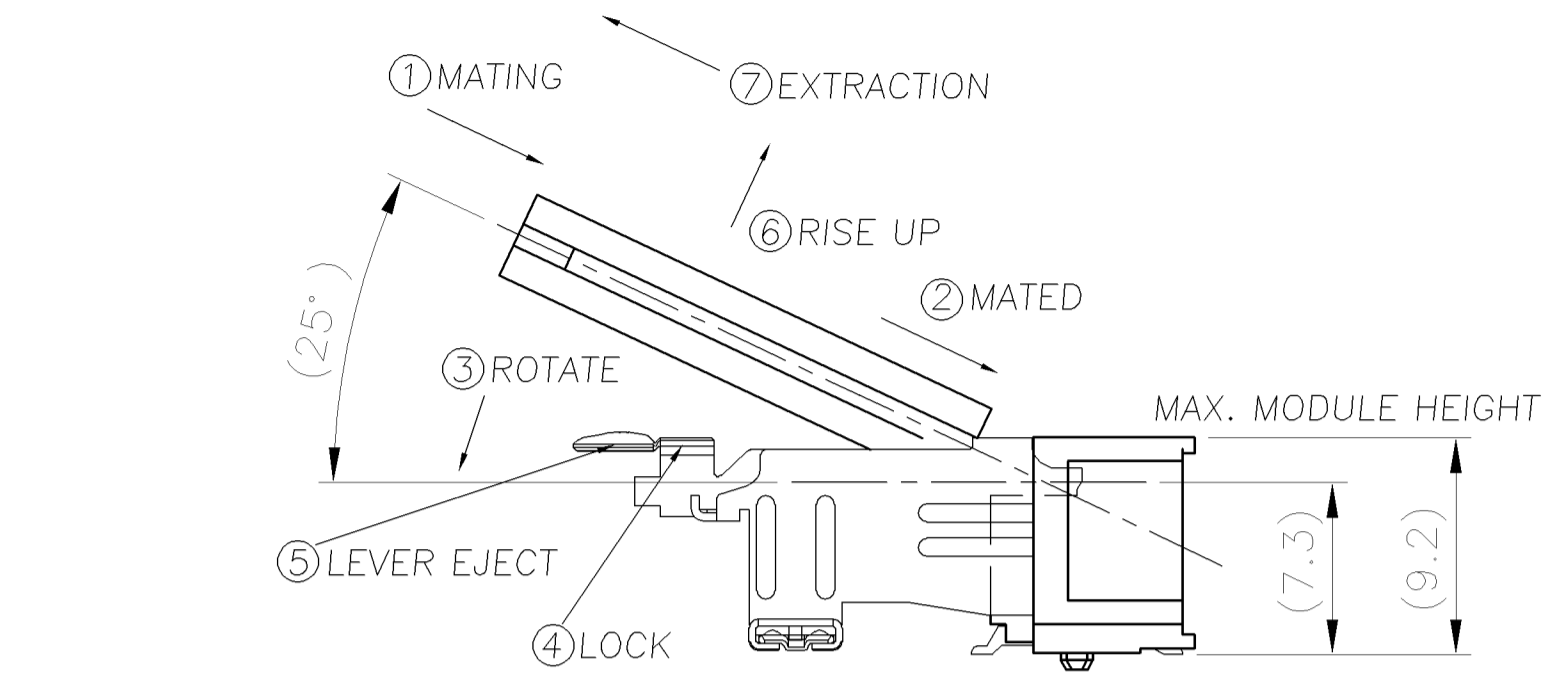
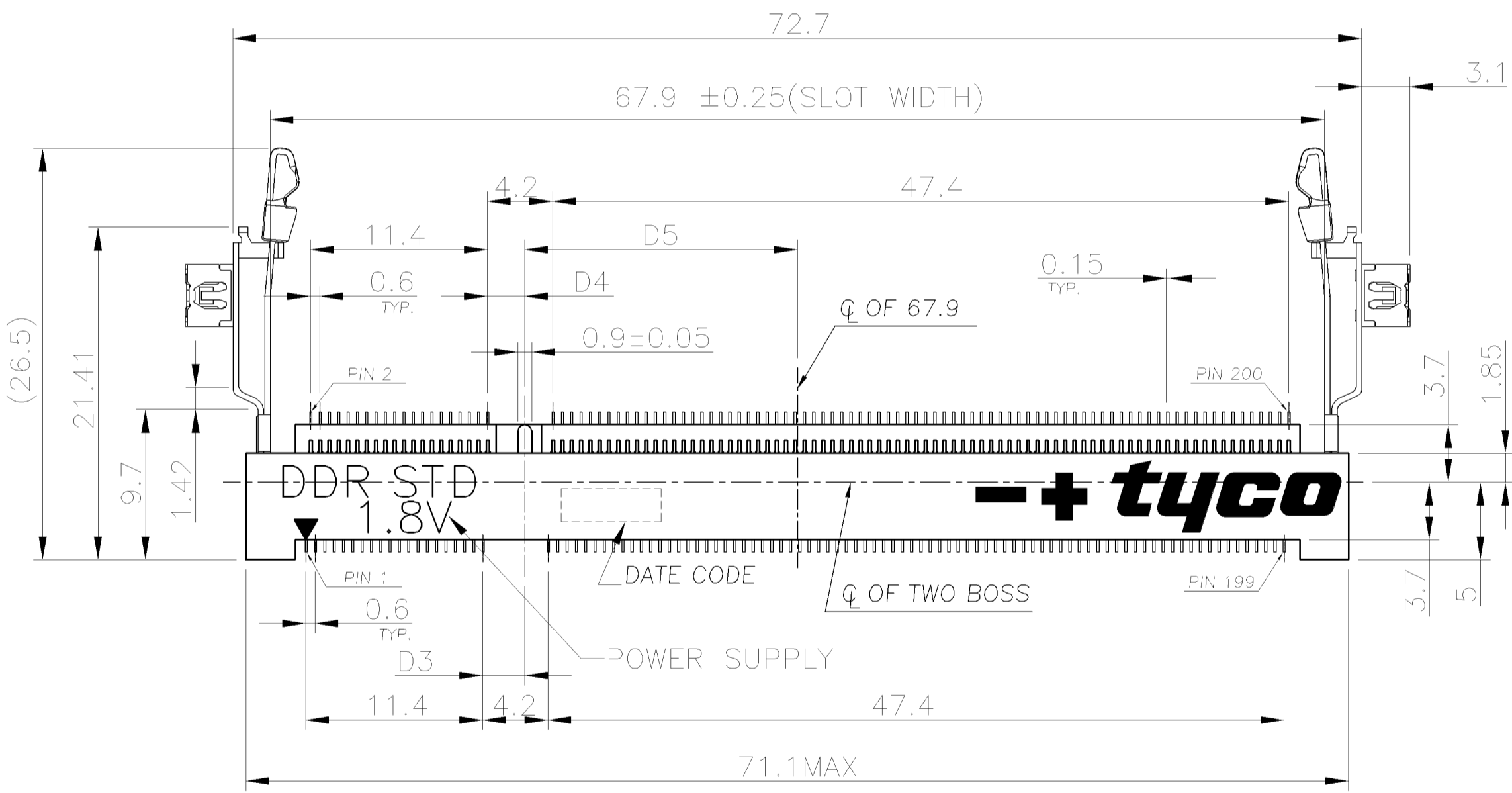
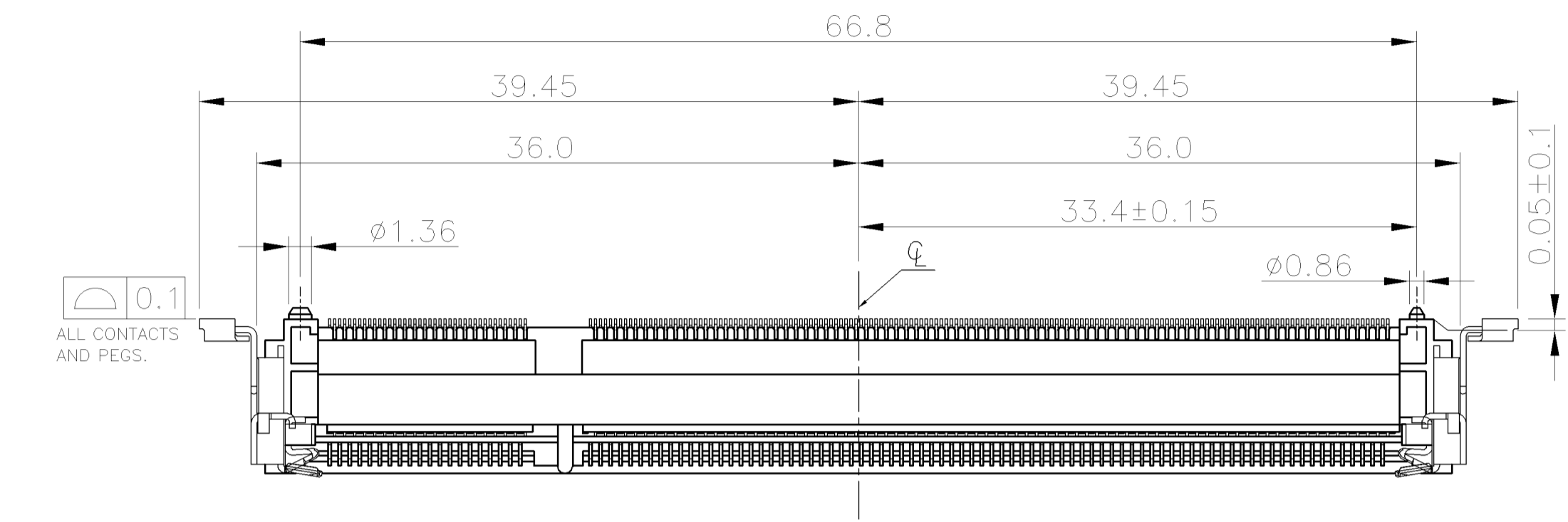
NUMBER
C-1775859

3RD ANGLE PROJECTION

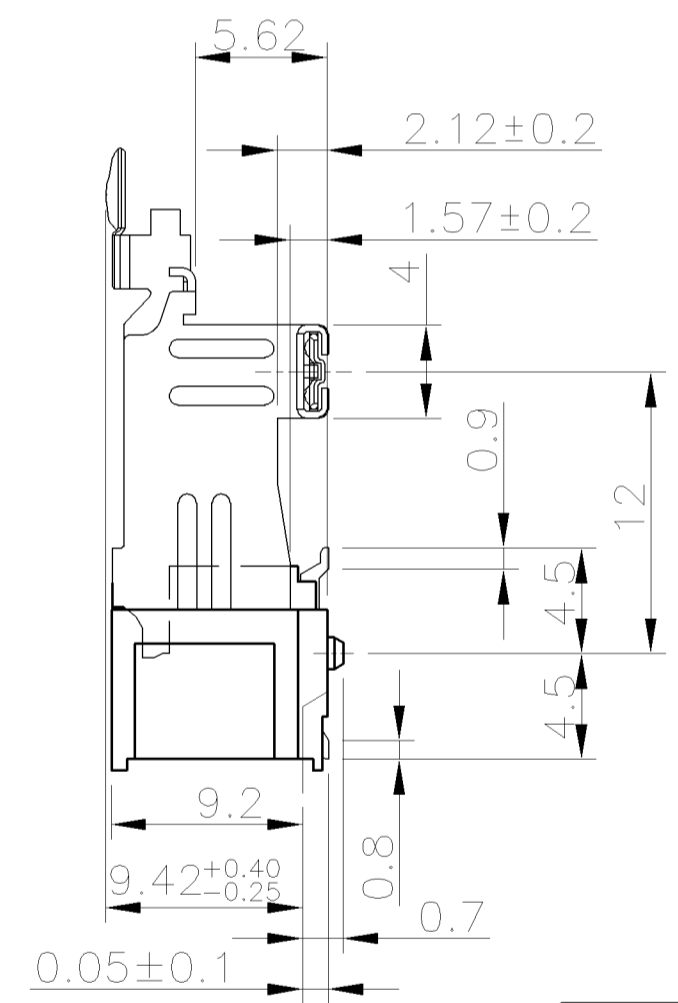
METRIC

THIS INFORMATION IS CONFIDENTIAL AND IS DISCLOSED TO YOU ON CONDITION THAT NO FURTHER DISCLOSURE IS MADE BY YOU TO OTHER THAN AMP PERSONNEL WITHOUT WRITTEN AUTHORIZATION FROM AMP (TAIWAN) LTD. DIMENSIONS IN MILLIMETERS. DO NOT SCALE PRINT.

PRINT DIST
DW



HOW TO MATE AND UNMATE
MATE: ① → ④
UNMATE: ⑤ → ⑦

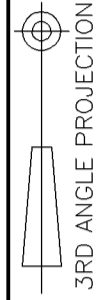


HARD TRAY	1.8V	17.55	2.4	2.7	1-1775859-2
TAPE/REEL	1.8V	17.55	2.4	2.7	1-1775859-1
PKG TYPE	PWR. SUP.	D5	D4	D3	PART NUMBER

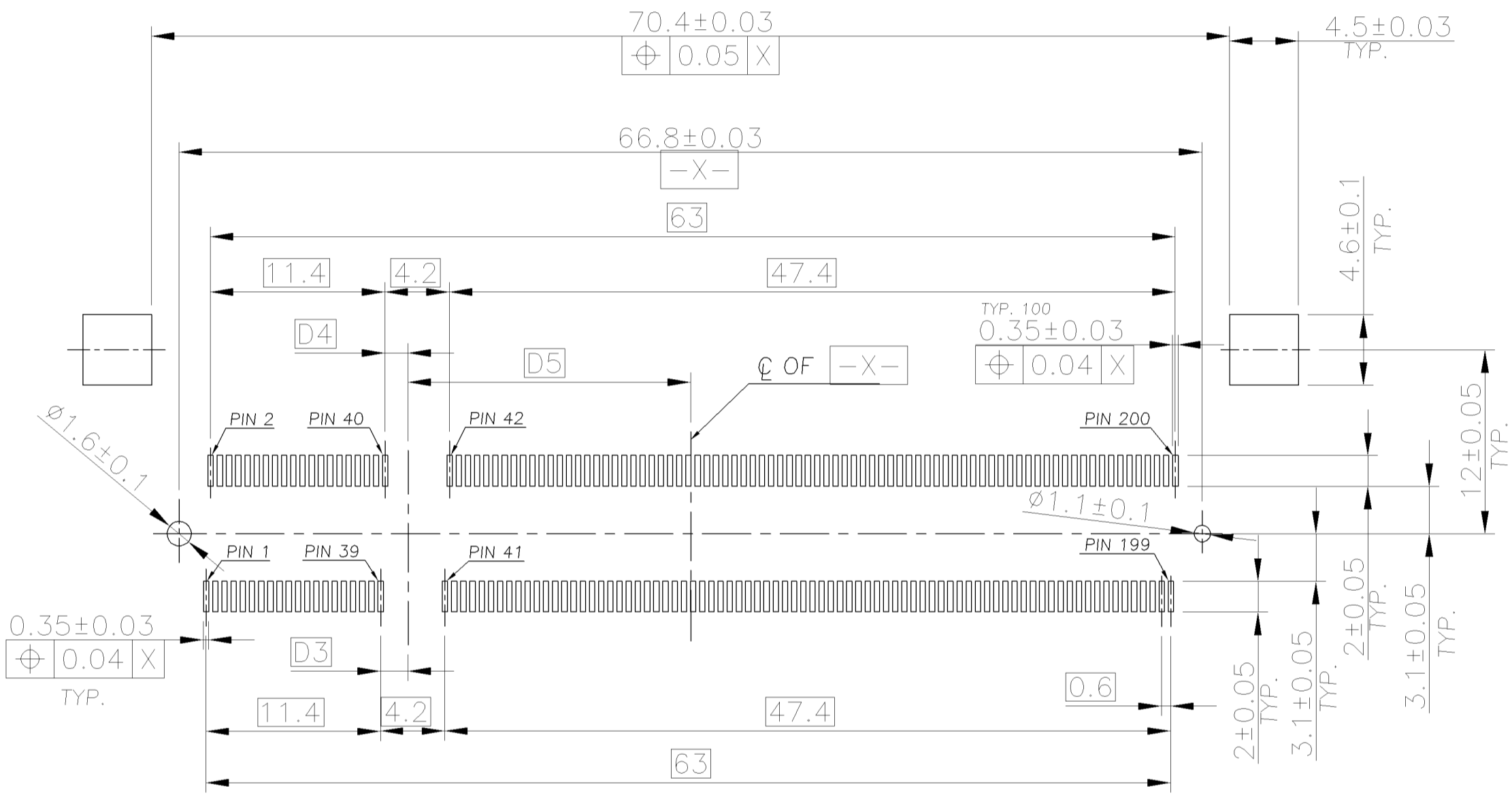
TOLERANCES UNLESS OTHERWISE SPECIFIED: 0 PLC ± 0.3 1 PLC ± 0.25 2 PLC ± 0.12 3 PLC ± 0.05 ANGLES ± 3'	DWN	S. HOU 15-DEC-2006	tyco TYCO HOLDINGS (BERMUDA) Electronics VII LTD. TAIWAN BRANCH		
	CHK	W.J. KE 15-DEC-2006			
MATERIAL	APVD	W.J. KE 15-DEC-2006	DDR S.O. DIMM SOCKET, 200P, 9.2 HEIGHT, SMT. STANDARD TYPE		
FINISH	APPLICATION SPEC	-			
WEIGHT	7.8 GRAM	LOC	SIZE	DRAWING NO	REV
		DW	A ₃	C-1775859	B
		SCALE	--	SHEET	2 OF 6

SEE SHEET 1	ECN	DWN	CHK	DATE
LTR	REVISION RECORD			

8 7 6 5 4 3 2 1 CUSTOMER DRAWING



THIS INFORMATION IS CONFIDENTIAL AND IS DISCLOSED TO YOU ON CONDITION THAT NO FURTHER DISCLOSURE IS MADE BY YOU TO OTHER THAN AMP PERSONNEL WITHOUT WRITTEN AUTHORIZATION FROM AMP (TAIWAN) LTD. DIMENSIONS IN MILLIMETERS. DO NOT SCALE PRINT.



RECOMMENDED PCB LAYOUT
CONNECTOR MOUNTING SIDE

STANDARD TYPE

18.45	1.5	1.8	2.5V
17.55	2.4	2.7	1.8V
D5	D4	D3	PWR. SUP.

TOLERANCES UNLESS OTHERWISE SPECIFIED: 0 PLC ± 0.3 1 PLC ± 0.25 2 PLC ± 0.12 3 PLC ± 0.05 ANGLES ± 3°	DWN	S. HOU 15-DEC-2006	tyco TYCO HOLDINGS (BERMUDA) VII LTD. TAIWAN BRANCH Electronics
	CHK	W.J. KE 15-DEC-2006	
	APVD	W.J. KE 15-DEC-2006	
	PRODUCT SPEC	-	
MATERIAL	-		DDR S.O. DIMM SOCKET, 200P, 9.2 HEIGHT, SMT. STANDARD TYPE
FINISH	-		
APPLICATION SPEC	-		LOC DW A ₃ C-1775859 REV B
WEIGHT	-		SCALE -- SHEET 3 OF 6

SEE SHEET 1.	ECN	DWN	CHK	DATE
LTR	REVISION RECORD			

NUMBER
C-1775859

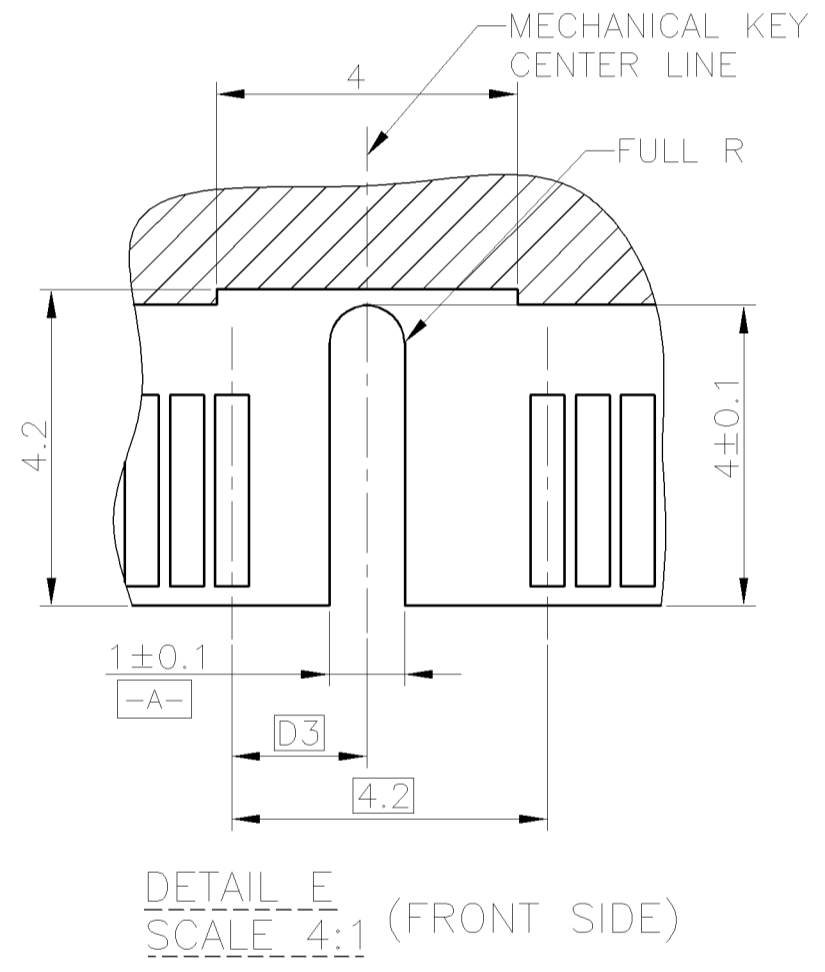
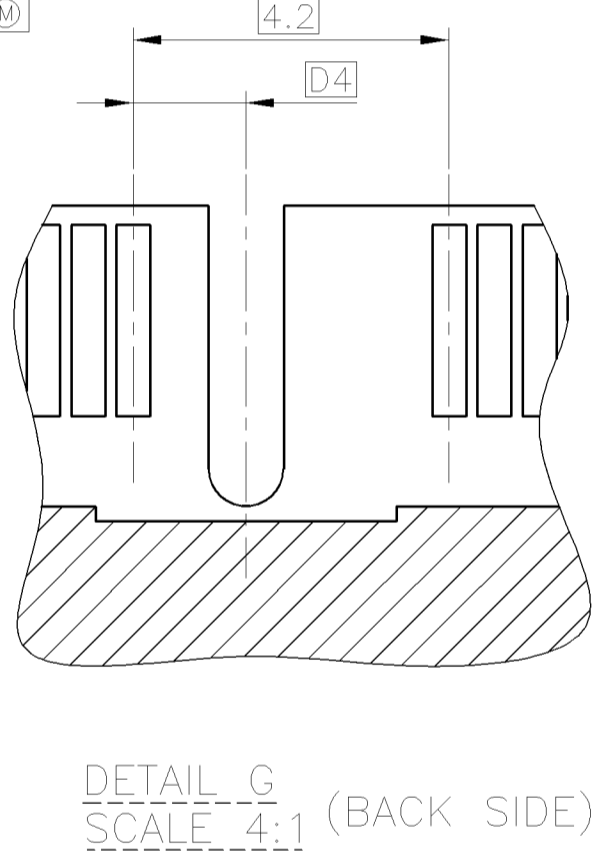
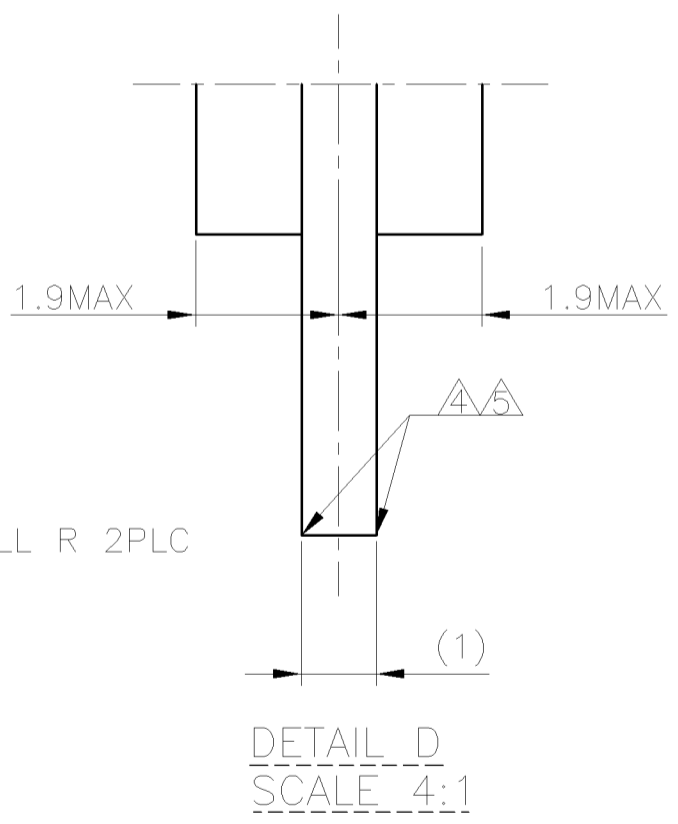
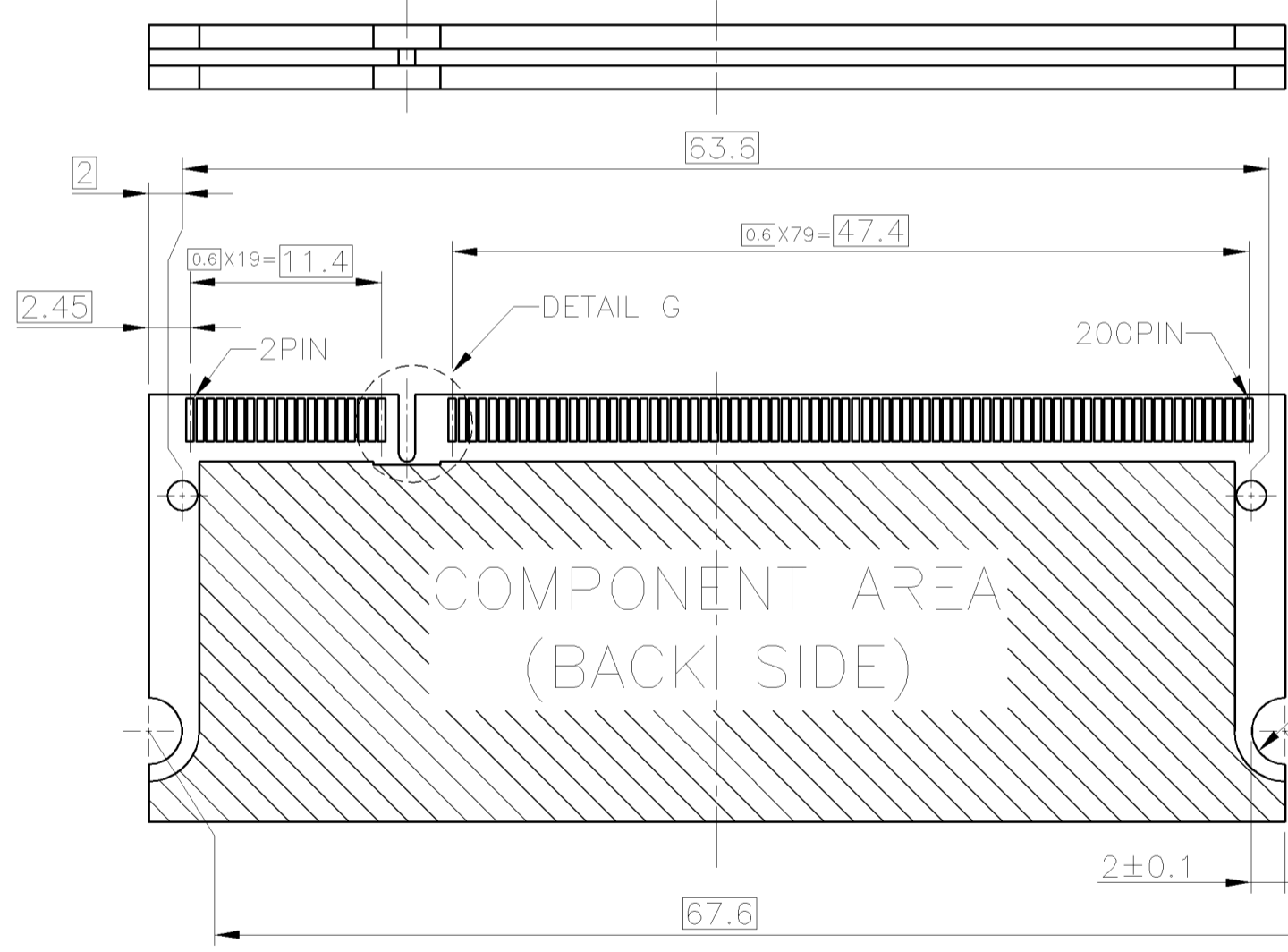
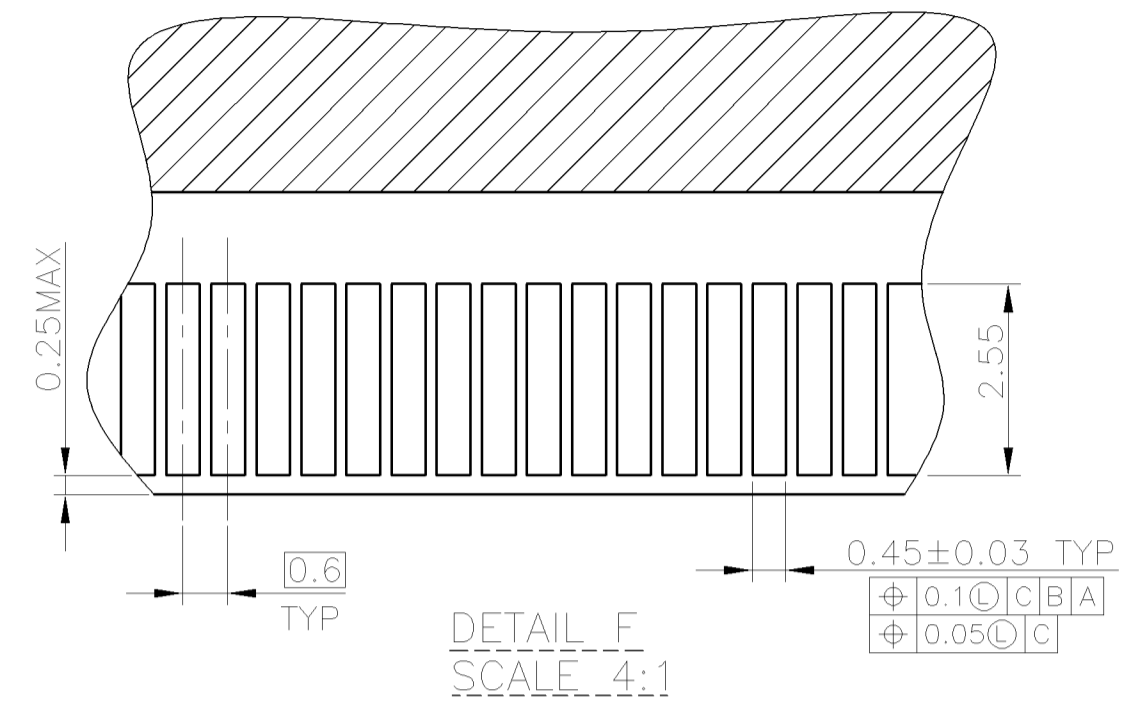
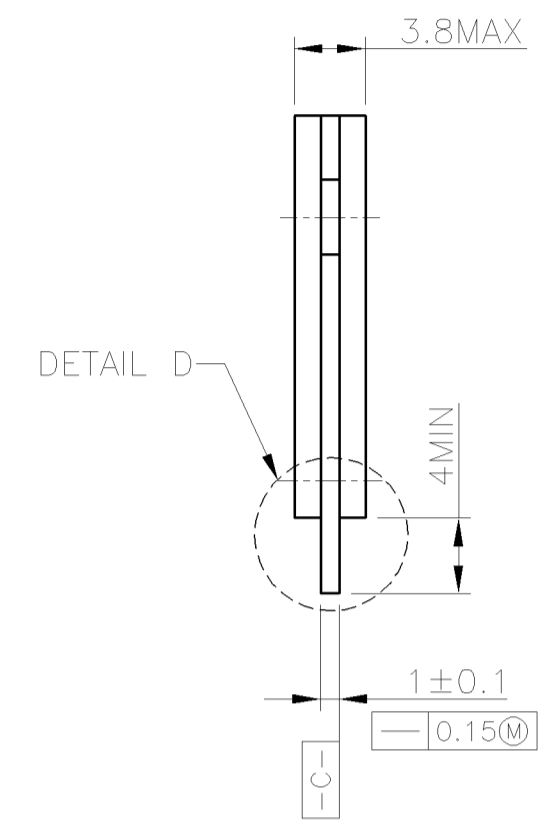
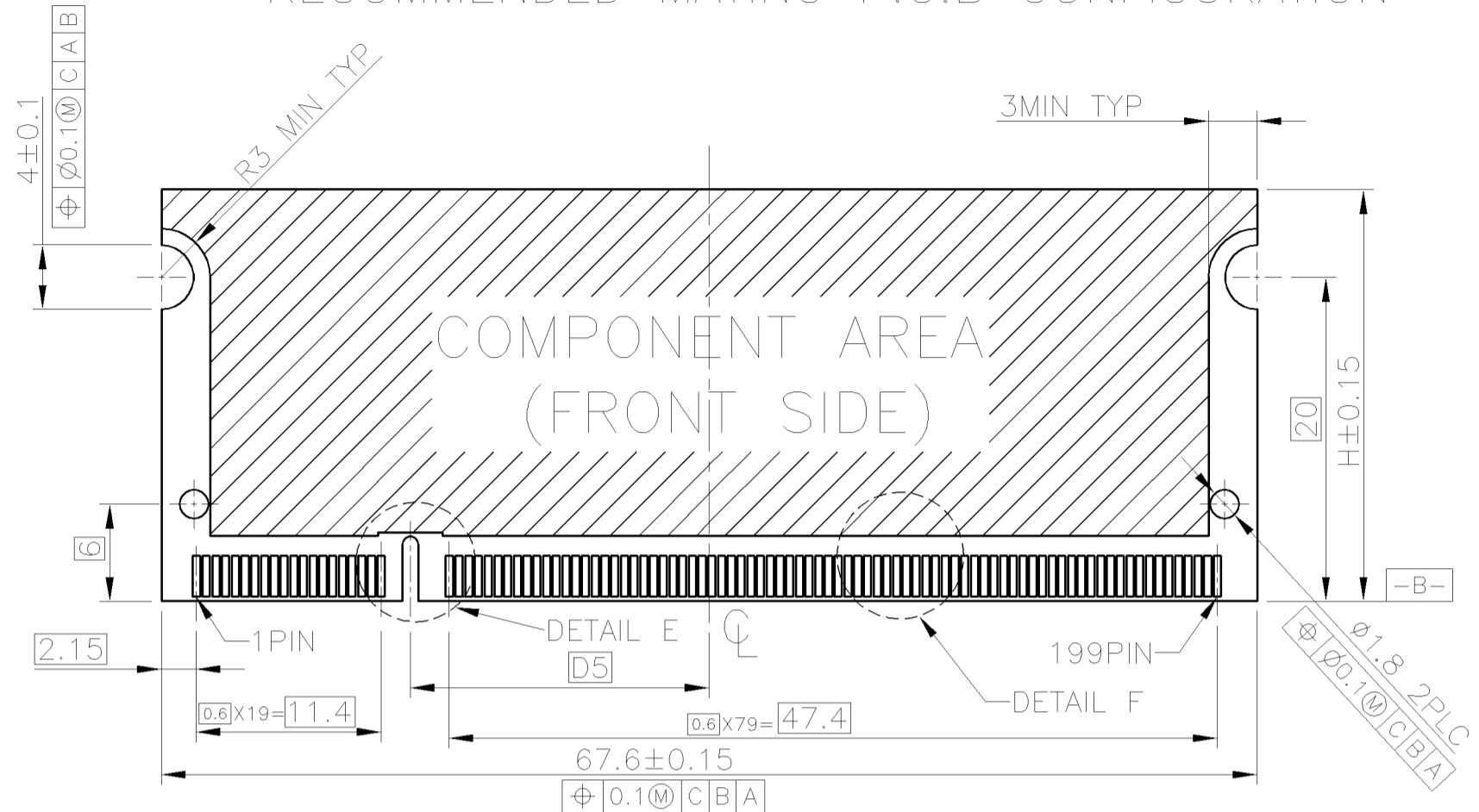
3RD ANGLE PROJECTION

METRIC

THIS INFORMATION IS CONFIDENTIAL AND IS DISCLOSED TO YOU ON CONDITION THAT NO FURTHER DISCLOSURE IS MADE BY YOU TO OTHER THAN AMP PERSONNEL WITHOUT WRITTEN AUTHORIZATION FROM AMP (TAIWAN) LTD. DIMENSIONS IN MILLIMETERS. DO NOT SCALE PRINT.

PRINT DIST
DW

RECOMMENDED MATING P.C.B CONFIGURATION



NOTE:
(APPLIED TO SHEET 3)
1.TOLERANCES ON ALL DIMENSIONS ±0.15 UNLESS OTHERWISE SPECIFIED.
2.P.C.BOARD THICKNESS APPLIES ACROSS TABS AND INCLUDES PLATING AND/OR MENTAIZATION.
3.FINISH OF PAD:GOLD PLATING 0.00076MIN OVER ON PLATING 0.002MIN.
△NO BURR
△CHAMFER 0.25MAX X45° IF EXIST.

25.4	18.45	1.5	1.8	2.5V
31.75	17.55	2.4	2.7	1.8V
H	D5	D4	D3	PWR. SUP.

TOLERANCES UNLESS OTHERWISE SPECIFIED: 0 PLC ± 1 PLC ± 0.05 2 PLC ± 0.05 3 PLC ± ANGLES ±	DWN S. HOU 15-DEC-2006	tyco Electronics TYCO HOLDINGS (BERMUDA) VII LTD. TAIWAN BRANCH
MATERIAL -	CHK W.J. KE 15-DEC-2006	
FINISH -	APVD W.J. KE 15-DEC-2006	NAME DDR S.O. DIMM SOCKET, 200P, 9.2 HEIGHT, SMT. STANDARD TYPE
	APPLICATION SPEC -	LOC DW SIZE A₃ DRAWING NO C-1775859 REV B
	WEIGHT -	SCALE SHEET 4 OF 6

SEE SHEET 1.	ECN	DWN	CHK	DATE
LTR	REVISION RECORD			

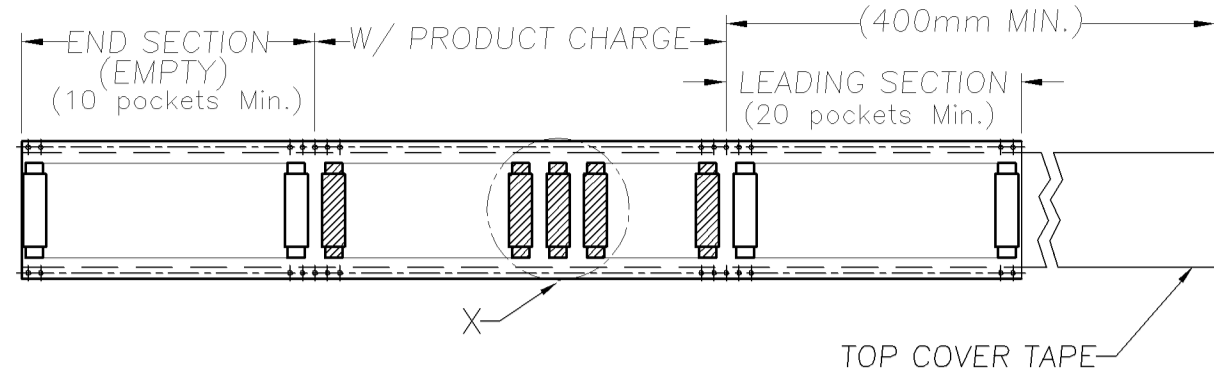
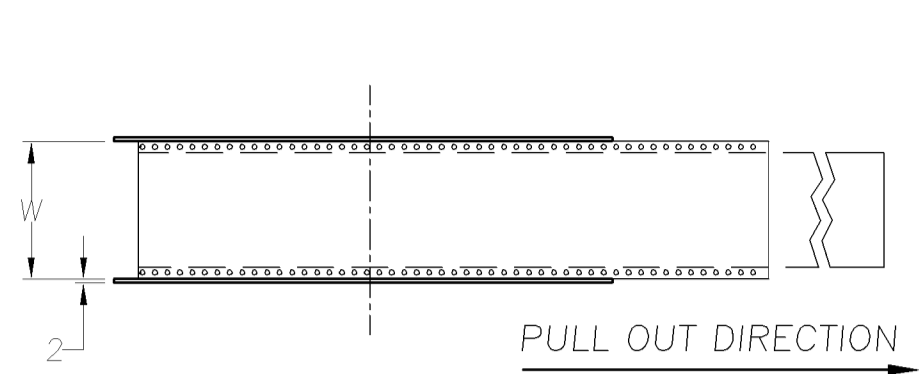
NUMBER
C-1775859

3RD ANGLE PROJECTION

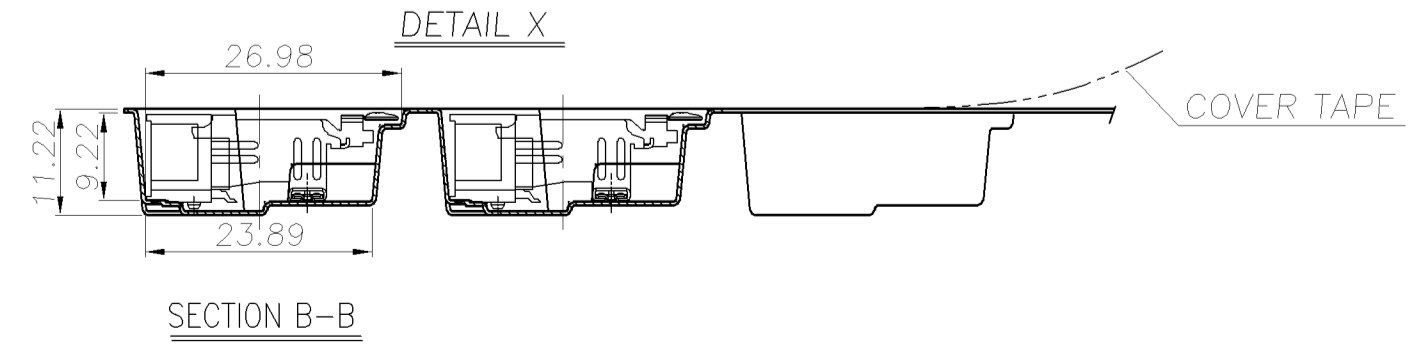
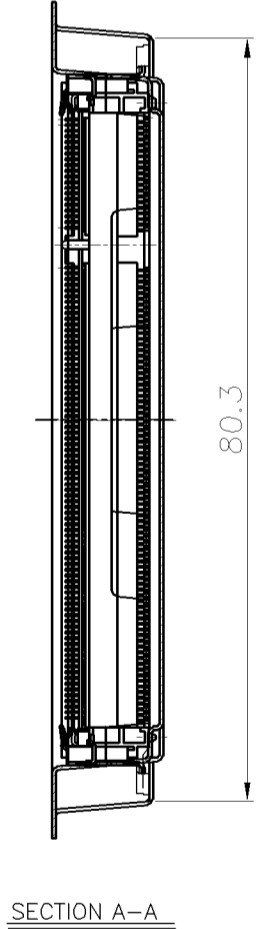
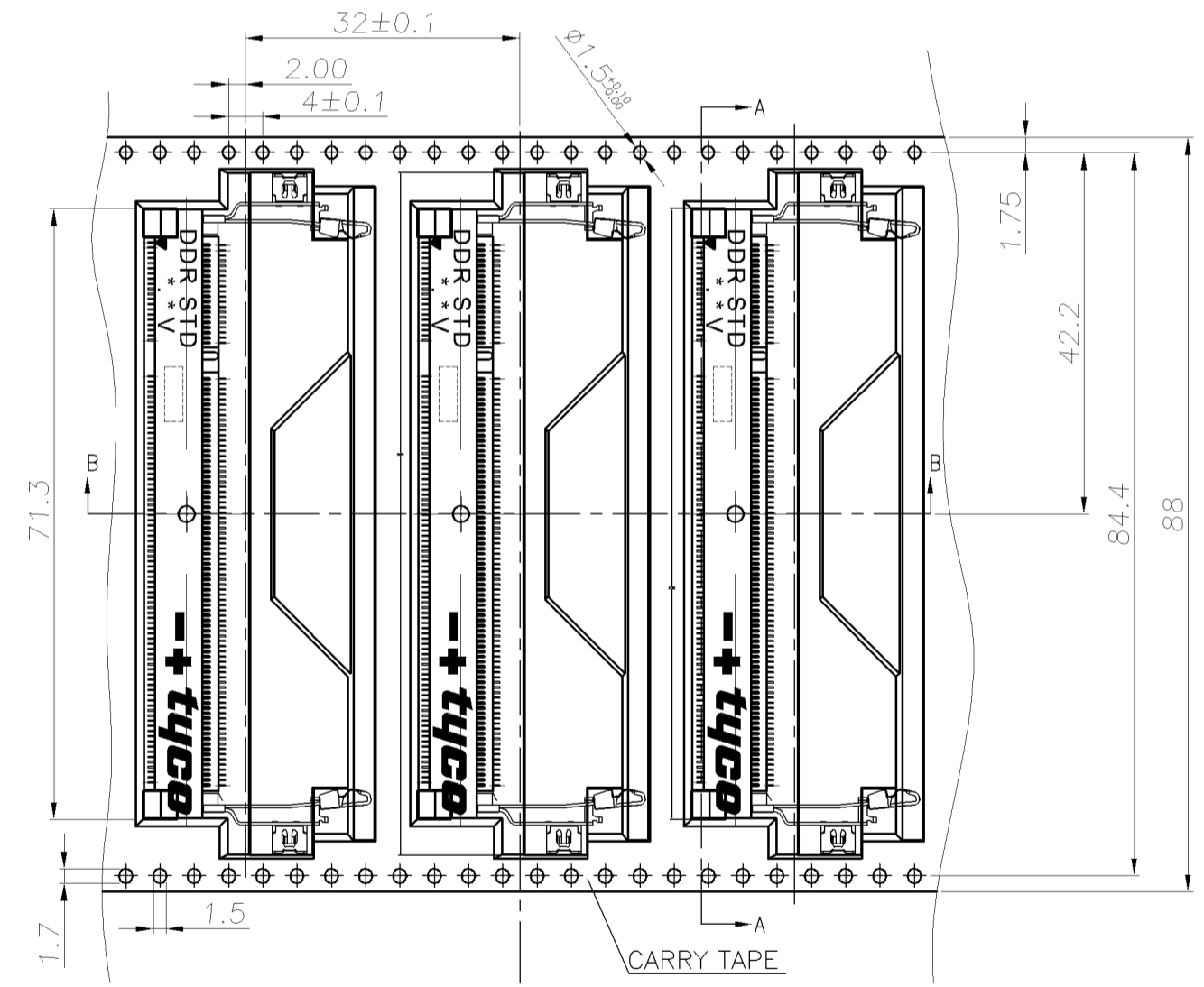
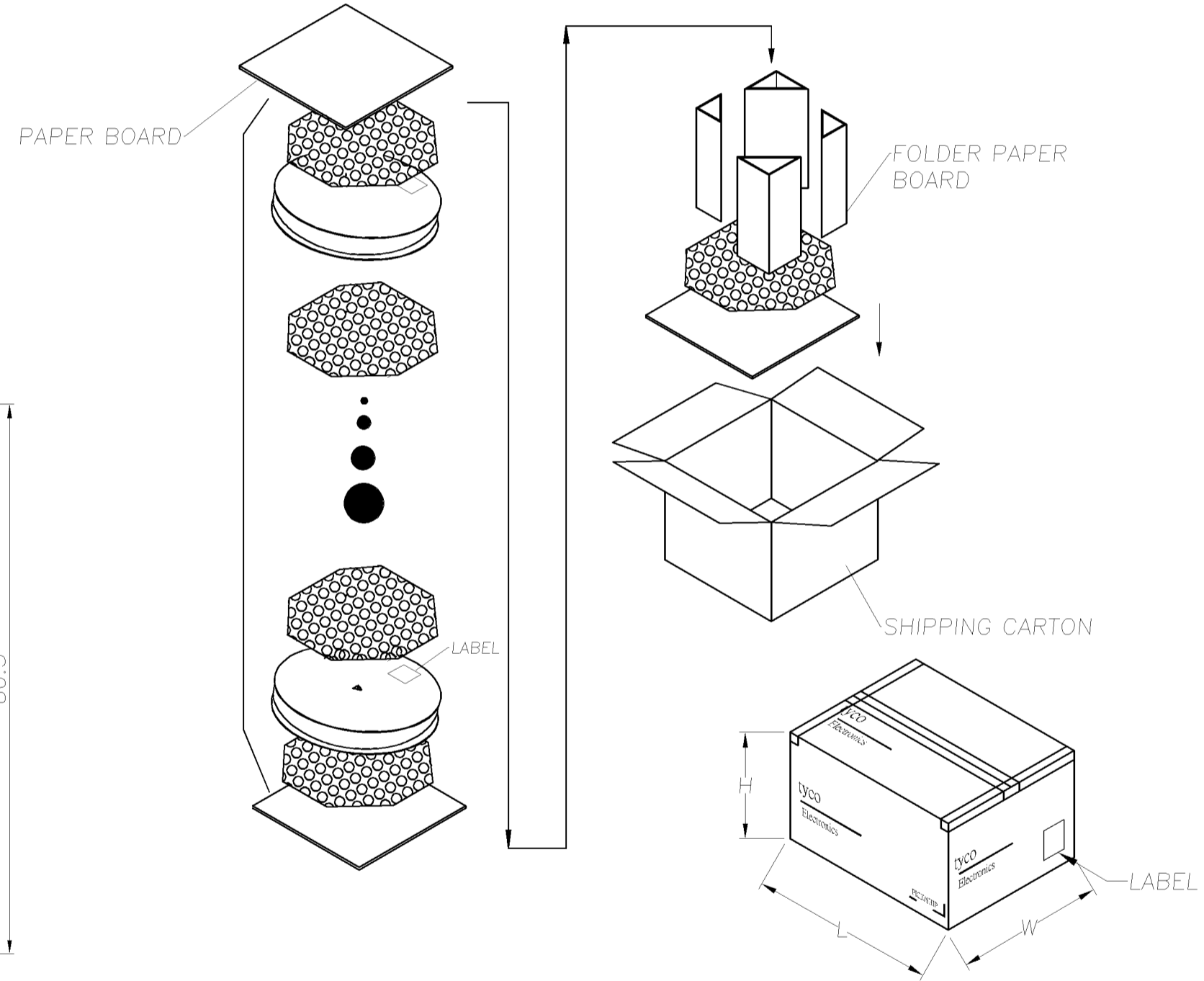
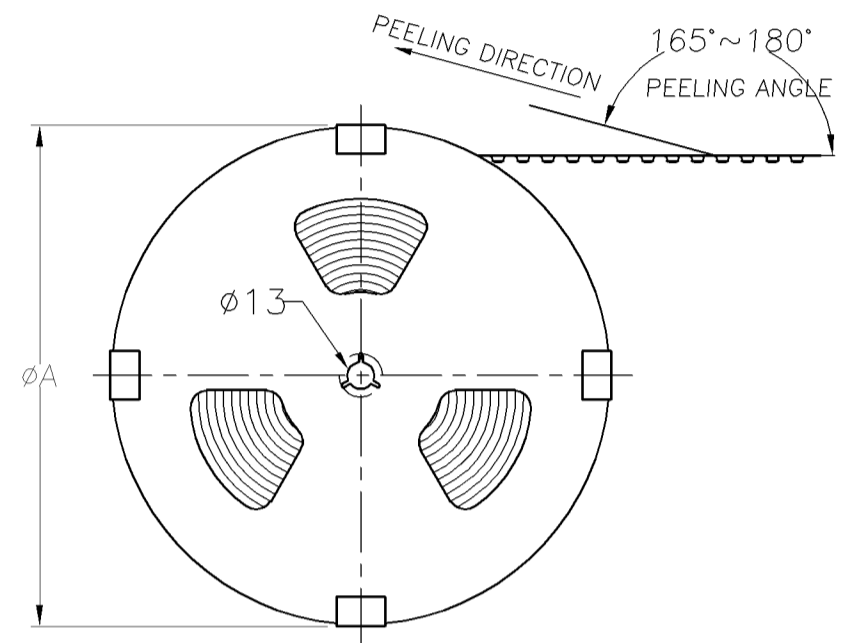
METRIC

THIS INFORMATION IS CONFIDENTIAL AND IS DISCLOSED TO YOU ON CONDITION THAT NO FURTHER DISCLOSURE IS MADE BY YOU TO OTHER THAN AMP PERSONNEL WITHOUT WRITTEN AUTHORIZATION FROM AMP (TAIWAN) LTD. DIMENSIONS IN MILLIMETERS. DO NOT SCALE PRINT.

PRINT DIST
DW



- NOTES:
- MATERIAL :
 - EMBOSSED CARRIER: PS
 - COVER TAPE: PS
 - SHIPPING CARTON: CORRUGATED FIBER
 - DIMENSION :
 - REEL: W=88, $\phi A=330$
 - SHIPPING CARTON: L=348, W=348, H=295
 - QUANTITY :
 - PRIMARY PACKING: 150PCS/REEL
 - SECONDARY PACKING: 2 REELS/CARTON(300PCS)
 - WEIGHT :
 - NET WEIGHT: 1.17Kg/REEL, 2.34Kg/CARTON.
 - GROSS WEIGHT: 1.600Kg/REEL, 5.80Kg/CARTON.
 - PEELING RESISTANCE: 0.1~0.7N(10.2gf~71.4gf).
 - PEELING SPEED: 300mm/minutes.

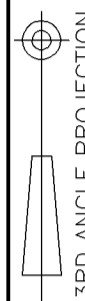


SEE SHEET 1.	ECN	DWN	CHK	DATE
LTR	REVISION RECORD			

TOLERANCES UNLESS OTHERWISE SPECIFIED: 0 PLC ± 0.3 1 PLC ± 0.25 2 PLC ± 0.12 3 PLC ± 0.05 ANGLES ± 3'	DWN S. HOU 15-DEC-2006
MATERIAL	CHK W.J. KE 15-DEC-2006
FINISH	APVD W.J. KE 15-DEC-2006
	PRODUCT SPEC -
	APPLICATION SPEC -
	WEIGHT

tyco Electronics		TYCO HOLDINGS (BERMUDA) VII LTD. TAIWAN BRANCH	
NAME			
DDR S.O. DIMM SOCKET, 200P, 9.2 HEIGHT, SMT. STANDARD TYPE			
LOC	SIZE	DRAWING NO	REV
DW	A ₃	C-1775859	B
SCALE		SHEET	
--		5 OF 6	

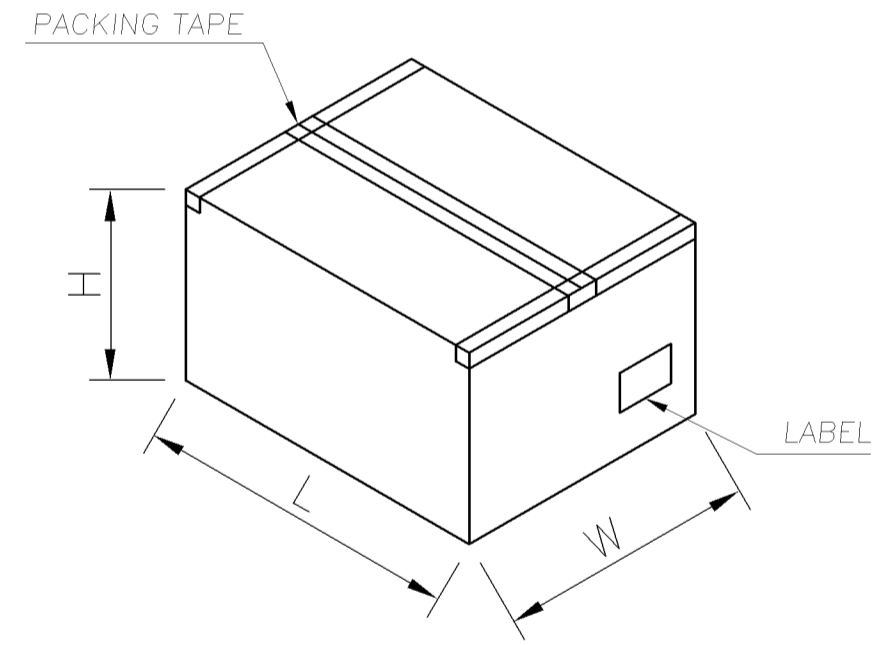
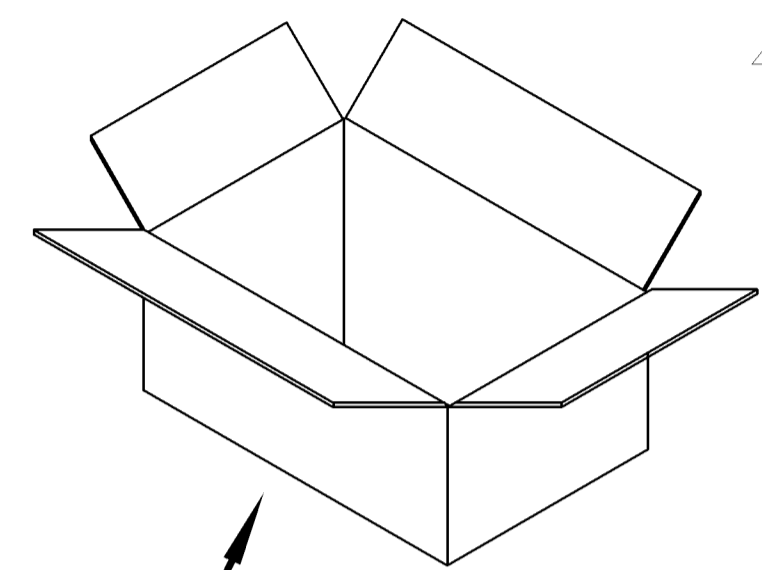
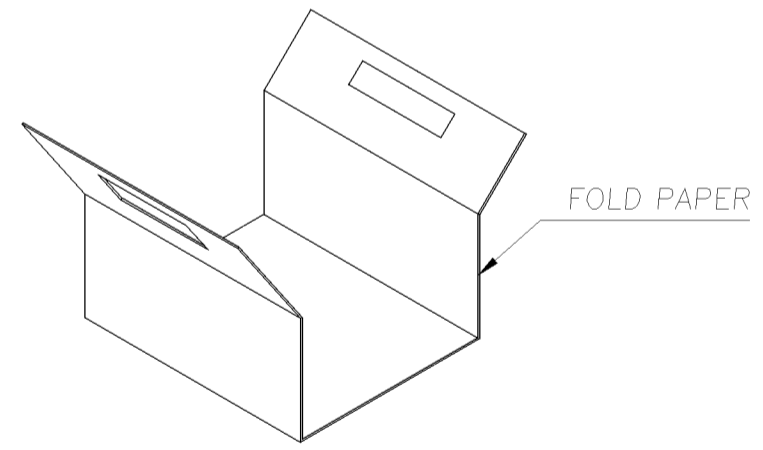
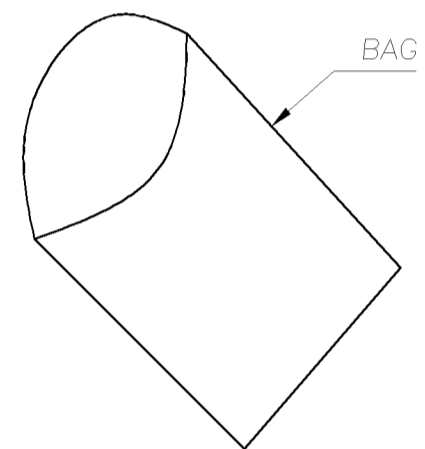
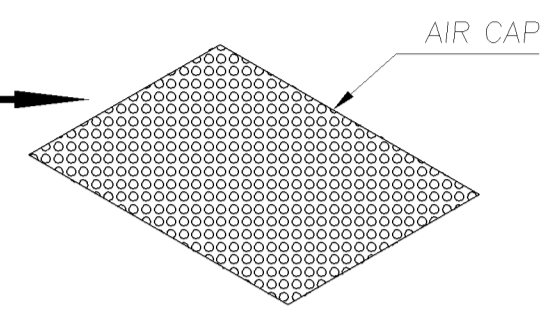
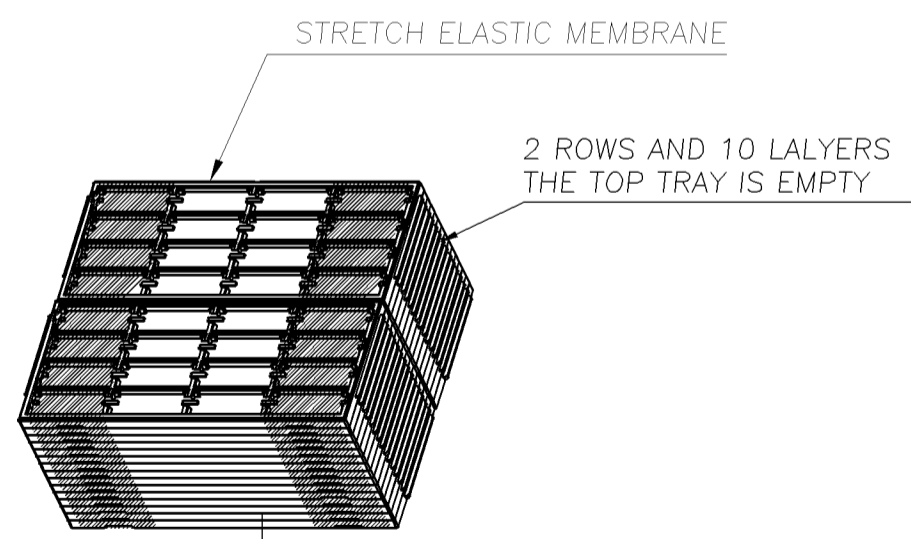
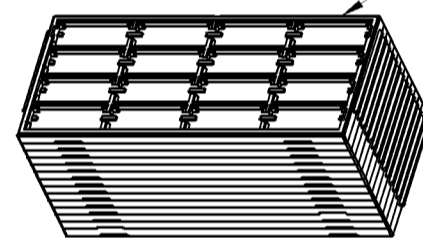
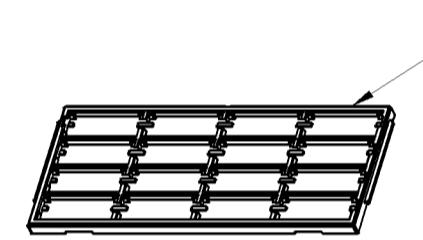
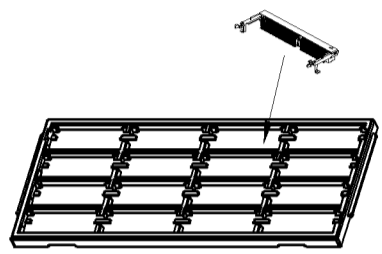
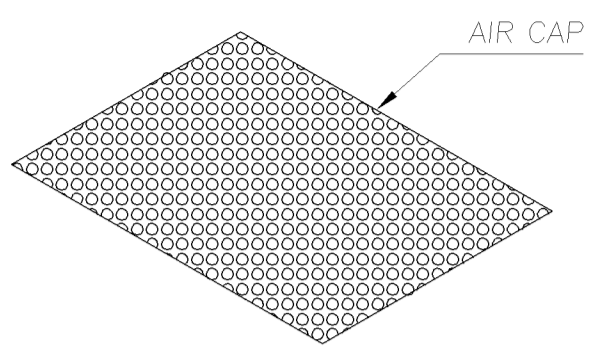
NUMBER
C-1775859



METRIC

THIS INFORMATION IS CONFIDENTIAL AND IS DISCLOSED TO YOU ON CONDITION THAT NO FURTHER DISCLOSURE IS MADE BY YOU TO OTHER THAN AMP PERSONNEL WITHOUT WRITTEN AUTHORIZATION FROM AMP (TAIWAN) LTD. DIMENSIONS IN MILLIMETERS. DO NOT SCALE PRINT.

PRINT DIST
DW



- NOTES :
- MATERIAL:
 - 1.1 TRAY: ABS, BLACK COLOR
 - 1.2 SHIPPING CARTON: CORRUGATED FIBERBOARD
 - DIMENSION:
 - 2.1 TRAY: L=246, W=139, H=16
 - 2.1 SHIPPING CARTON: L=360, W=330, H=195
 - QUANTITY:
 - 3.1 PRIMARY PACKING: 16 PCS/TRAY
 - 3.2 SECONDARY PACKING: 20 TRAY/CARTON(320PCS)
 - WEIGHT:
 - 4.1 NET WEIGHT: 3.2Kg
 - 4.2 GROSS WEIGHT: 6.91Kg

8

1

7

1

6

1

5

4

1

3

1

2

1

1

1

D

C

B

A

SEE SHEET 1.	ECN	DWN	CHK	DATE
LTR	REVISION RECORD			

TOLERANCES UNLESS OTHERWISE SPECIFIED: 0 PLC ± 1 PLC ± 2 PLC ± 3 PLC ± ANGLES ±	DWN S. HOU 15-DEC-2006	tyco Electronics TYCO HOLDINGS (BERMUDA) VII LTD. TAIWAN BRANCH
MATERIAL	CHK W.J. KE 15-DEC-2006	
FINISH	APVD W.J. KE 15-DEC-2006	NAME DDR S.O. DIMM SOCKET, 200P, 9.2 HEIGHT, SMT. STANDARD TYPE
	PRODUCT SPEC -	
	APPLICATION SPEC -	LOC DW
	WEIGHT	SIZE A ₃
		DRAWING NO C-1775859
		REV B
		SCALE --
		SHEET 6 OF 6

CUSTOMER DRAWING