

RJ45 1000Base-T, 1X2, Tab Up w/ LEDs (Green, Green), Extended Temperature

ARJ-202C

RoHS/RoHS II Compliant



31.20 x 13.55 x 25.45mm

FEATURES:

- Compliant with IEEE802.3 standard
- Tab up RJ45 Jack 1 X 2
- High performance for maximum EMI suppression
- 350μH minimum OCL with 8mA bias current
- RoHS peak wave solder temperature 260°C

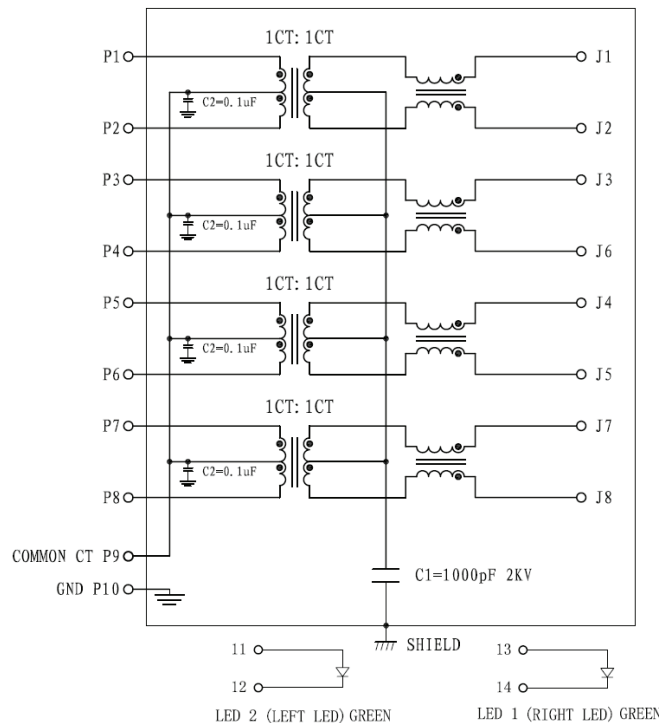
APPLICATIONS:

- Support 1000 Base-T AutoMDIX application with LEDs
- Wide temperature range(-25°C~70°C)
- Ethernet Switches, Hubs, LAN-on-Motherboard(LOM) and ADSL
- Suitable CAT 3, 5e & 6 cable and UTP
- Provides signal conditioning, EMI suppression and signal isolation

STANDARD SPECIFICATIONS

Parameters	Minimum	Typical	Maximum	Units	Notes
Operating Temperature	-40		+85	°C	
Storage Temperature	-40		+85	°C	
Turn Ratio (± 3%)	1CT:1CT				Tx
	1CT:1CT				Rx
Inductance (OCL)	350			μH	100KHz/0.1V@8mA
Insertion Loss			-1.0	dB	1-100MHz
Return Loss	-18			dB	1-10MHz
	-16				10-30MHz
	-14				30-60MHz
	-12				60-80MHz
	-10				80-100MHz
Cross Talk	-40			dB	1-30MHz
	-35				30-60MHz
	-30				60-100MHz
CMR	-35			dB	1-100MHz
Hi-Pot	1500Vrms/1mA/1Sec				Pri to Sec

SCHEMATICS



ABRACON IS
ISO 9001:2008
CERTIFIED

ABRACON
The Power of Linking Together

2 Faraday, Suite# B | Irvine | CA 92618 **Revised: 07.23.15**
Ph. 949.546.8000 | Fax. 949.546.8001
Visit www.abracon.com for Terms and Conditions of Sale

RJ45 1000Base-T, 1X2, Tab Up w/ LEDs (Green, Green), Extended Temperature

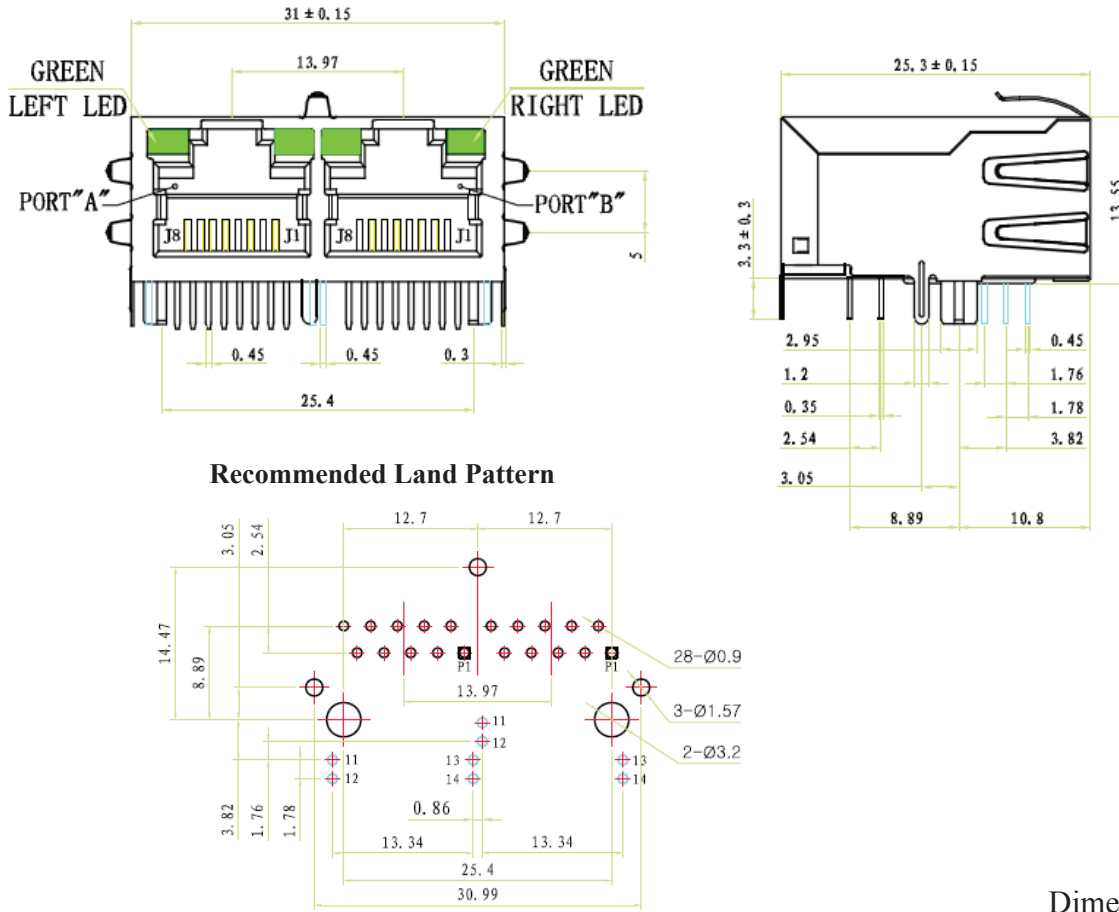
ARJ-202C

RoHS/RoHS II Compliant



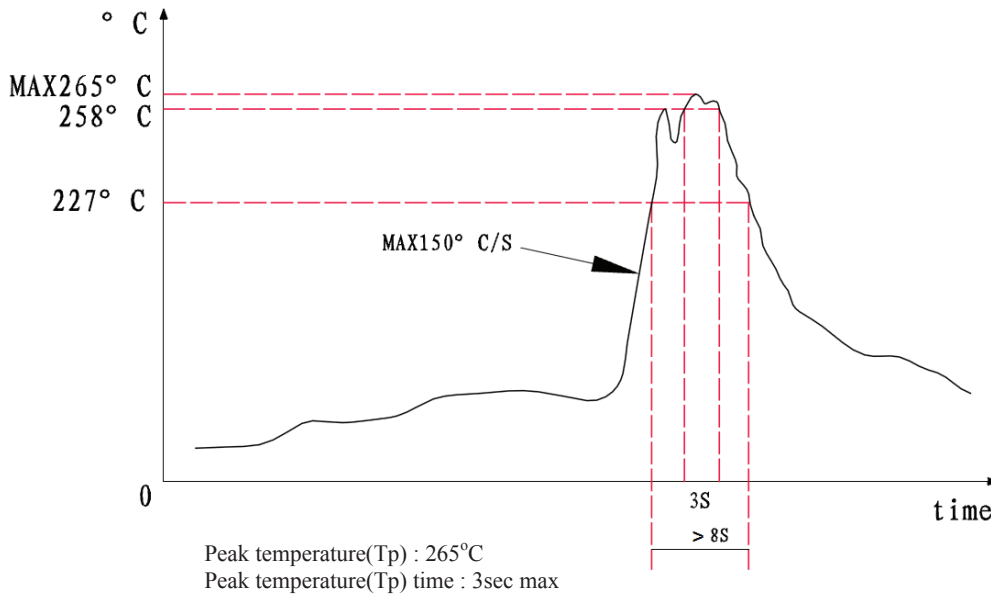
31.20 x 13.55 x 25.45mm

MECHANICAL DIMENSIONS



Dimensions: mm

DIP WAVE SOLDERING PROFILE



RJ45 1000Base-T, 1X2, Tab Up w/ LEDs (Green, Green), Extended Temperature

ARJ-202C

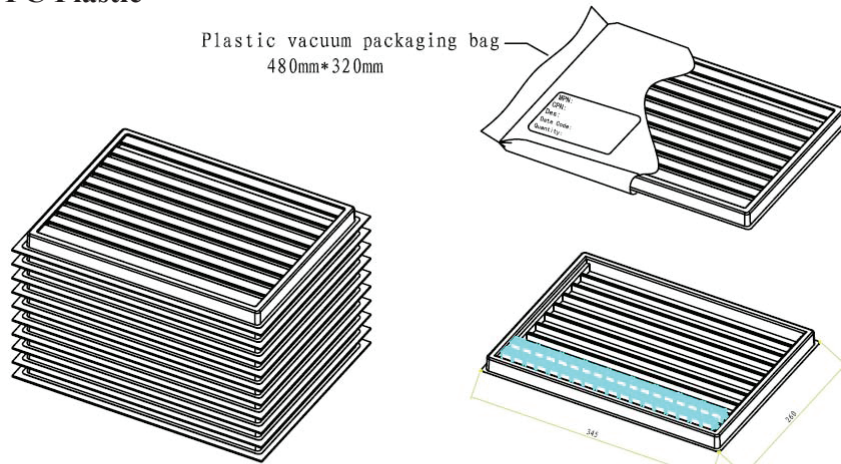
RoHS/RoHS II Compliant



31.20 x 13.55 x 25.45mm

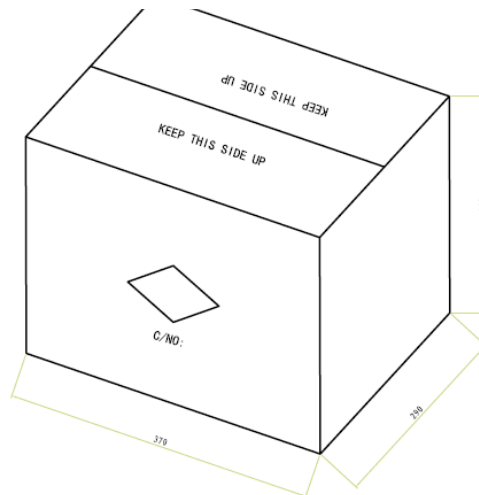
PACKING:

Packing: 90 pcs/tray
Weight: 12.75 grams/pcs
Packaging Material: PC Plastic



1. Inner Package: L=345mm; W=260mm; H=20mm;
2. There are 10 slot grids on the tray and There 9 Pcs In the slot grids.
3. Paste ROHS label and barcode label.
4. Material: PC Plastic.

Outer carton unit (optional): 900 pcs/ 10 trays/box



1. Package Box : L=370mm; W=290; H=100mm;
2. Package Box contain 10 PCS inner package Trays.
3. Material: US CARD+kraft papers.
4. There are 900 Pcs products in the Package Box.

Dimensions: cm

ATTENTION: Abracon Corporation's products are COTS – Commercial-Off-The-Shelf products; suitable for Commercial, Industrial and, where designated, Automotive Applications. Abracon's products are not specifically designed for Military, Aviation, Aerospace, Life-dependant Medical applications or any application requiring high reliability where component failure could result in loss of life and/or property. For applications requiring high reliability and/or presenting an extreme operating environment, written consent and authorization from Abracon Corporation is required. Please contact Abracon Corporation for more information.

ABRACON IS
ISO 9001:2008
CERTIFIED



2 Faraday, Suite# B | Irvine | CA 92618 **Revised: 07.23.15**

Ph. 949.546.8000 | Fax. 949.546.8001

Visit www.abracon.com for Terms and Conditions of Sale