

THIS DRAWING IS UNPUBLISHED.

RELEASED FOR PUBLICATION

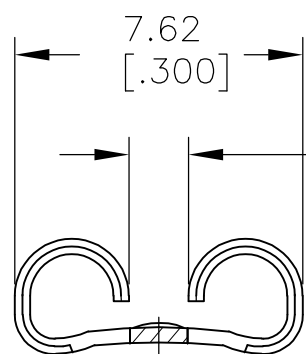
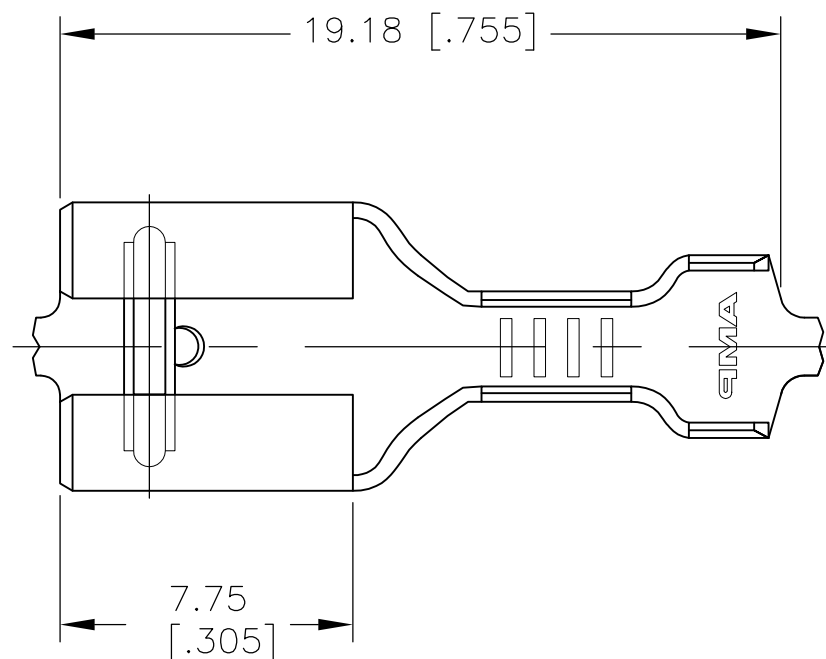
REVISIONS

© COPYRIGHT - By -

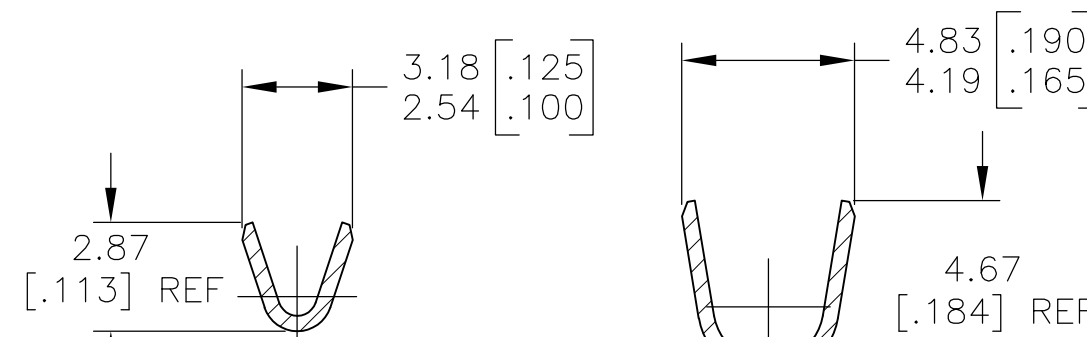
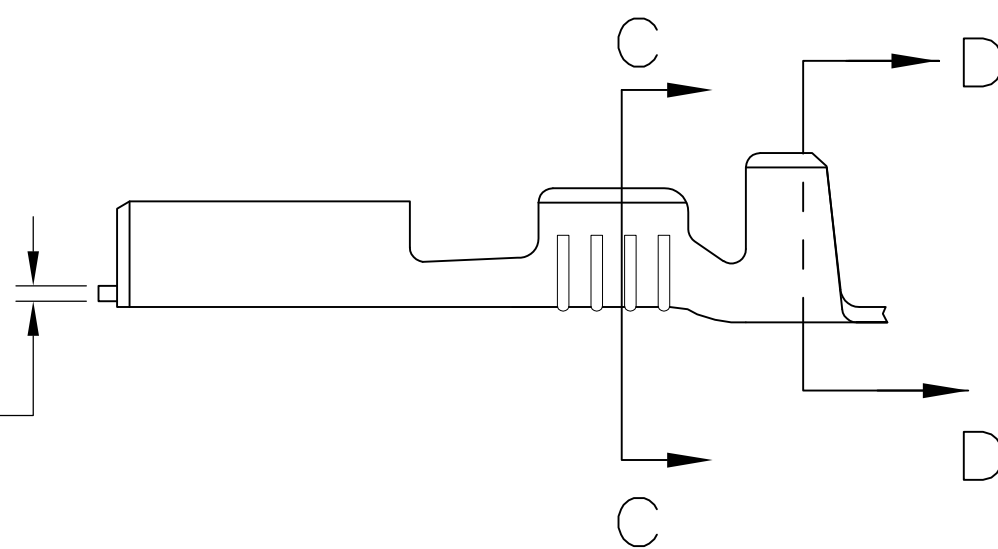
ALL RIGHTS RESERVED.

P	LTR	DESCRIPTION	DATE	DWN	APVD
	A	RELEASED	5/5/16	RS	DH

- 1 CONTINUOUS STRIP ON REELS
- 2 WIRE SIZE IS #22-#18 AWG
- 3 INSULATION RANGE IS 2.29-3.30 [.090-.130] DIA
- 4 MATING TAB THK IS 0.81±0.025 [.032±.001]



0.41±0.025
[.016±.001]



SECTION C-C

SECTION D-D

TIN PLATE	2238027-4
NONE	2238027-3
FINISH	PART NO.

THIS DRAWING IS A CONTROLLED DOCUMENT.		DWN	JR RUTH	25MAR2013	STE TE Connectivity PRELIMINARY											
DIMENSIONS: MM [INCHES]		CHK	PETE DESANTIS	25MAR13												
TOLERANCES UNLESS OTHERWISE SPECIFIED:		APVD	PETE DESANTIS	25MAR13												
<table border="0"> <tr><td>0 PLC</td><td>± -</td></tr> <tr><td>1 PLC</td><td>± -</td></tr> <tr><td>2 PLC</td><td>± 0.25 [.010]</td></tr> <tr><td>3 PLC</td><td>± -</td></tr> <tr><td>4 PLC</td><td>± -</td></tr> <tr><td>ANGLES</td><td>± -</td></tr> </table>		0 PLC	± -	1 PLC		± -	2 PLC	± 0.25 [.010]	3 PLC	± -	4 PLC	± -	ANGLES	± -	PRODUCT SPEC	RECEPTACLE, FASTON, LOW INSERTION, .250 SERIES
0 PLC	± -															
1 PLC	± -															
2 PLC	± 0.25 [.010]															
3 PLC	± -															
4 PLC	± -															
ANGLES	± -															
MATERIAL	BRASS	FINISH	SEE TABLE	WEIGHT	0.000000											
		SIZE	A3	CAGE CODE	00779											
		DRAWING NO	C-2238027		RESTRICTED TO											
		CUSTOMER DRAWING	SCALE	5:1	SHEET 1 OF 1											
					REV A											