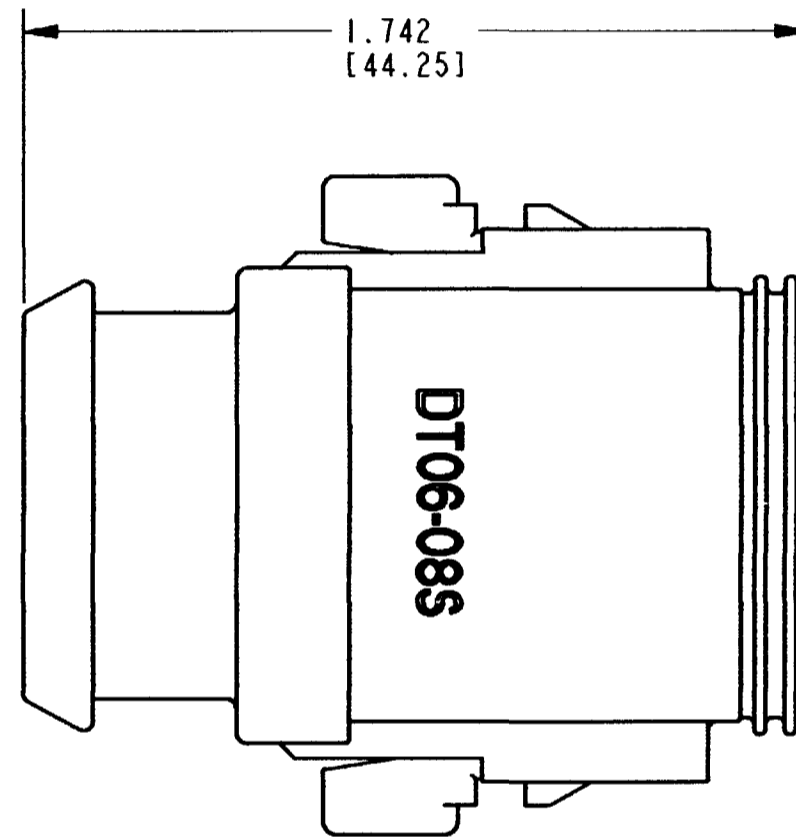
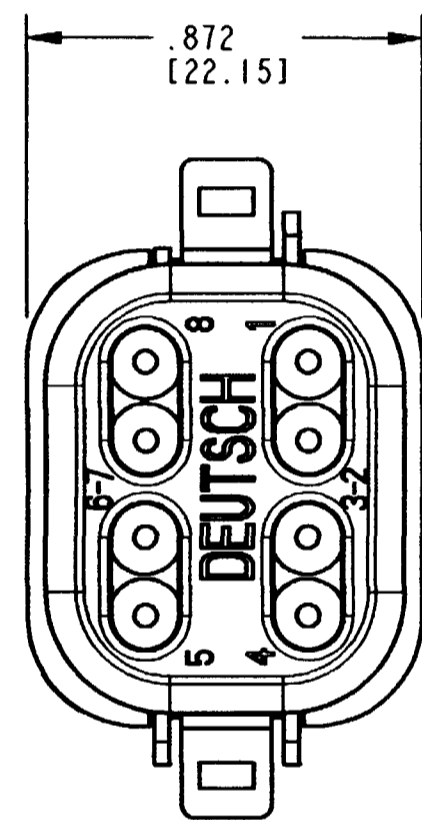
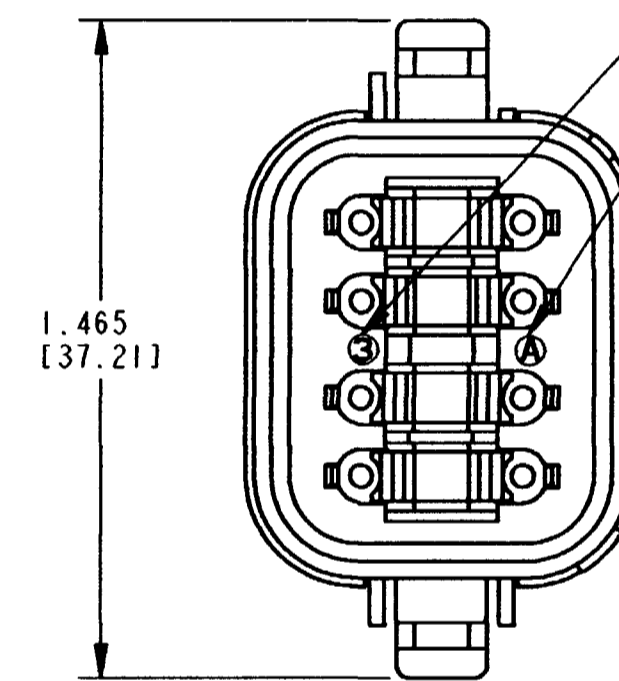


REV
B DT06-08SA-E008

REVISIONS			
SYM	DESCRIPTION	DATE	APPROVED
NC	NEW RELEASE PER E.O. P18144	5/2/03	R.D.R.
A	REVISED PER E.O. P18363	10/29/03	R.D.R.
B	REVISED PER E.O. P19209	4-24-07	ADR



DATE CODE: YEAR TO BE REPRESENTED BY LAST NUMERICAL DIGIT. EX: 3 = 2003.
MONTH USES SEQUENTIAL ALPHA CHARACTERS. EX: A = JANUARY.



- 5. MATERIAL: SHELL: PLASTIC; COLOR: GRAY
SEAL: RUBBER
- 4. THIS PLUG MATES WITH DT04-08PA-**** RECEPTACLE.
(**** = ALL MODIFICATIONS).
- 3. FOR WIRE AND CONTACT SPECIFICATION AND APPLICATION,
SEE ENVELOPE DRAWING 0425-015-0000 AND 0425-017-0000.
- 2. ALL DIMENSIONS ARE ±.025 [.64] UNLESS OTHERWISE SPECIFIED.

NOTES: 1. ALL DIMENSIONS ARE IN INCHES [MILLIMETERS].

CONTACT SIZE	MIN. INSUL. O.D.	MAX. INSUL. O.D.	WIRE RANGE [mm ²] REF ONLY
16	.088 [2.23]	.145 [3.68]	14-20 AWG 2.0-0.5

SIGNATURE & DATE	
DR	X. SANCHEZ 24APR03
CHK	W. Miller 6/12/06
PE	Tom Tolson 3/27/06
APPD	S. Brand 3-29-06
SCALE	NONE WT

8 WAY PLUG
COLOR: GRAY
-E008 MOD.
D.T. SERIES

ENVELOPE

CP	MATL. CODE
The Deutsch Company DEUTSCH I.P.D. 3850 INDUSTRIAL AVE. HEMET, CALIF. 92545	
B	DT06-08SA-E008
DWG SIZE	CODE 11139 SHEET OF