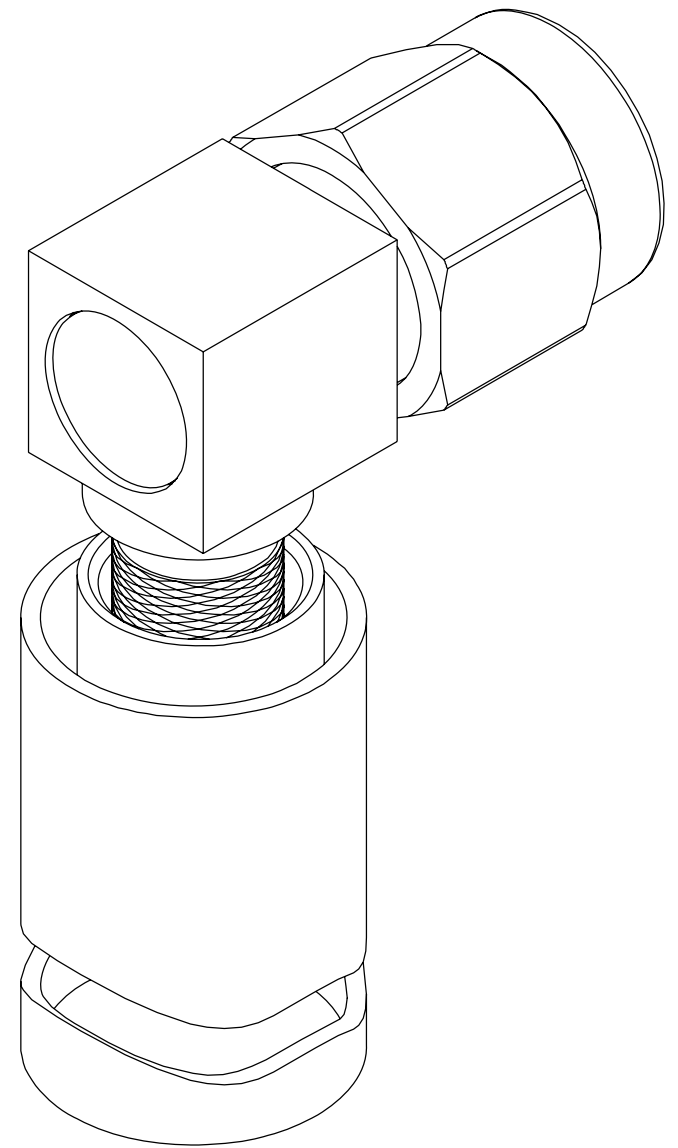


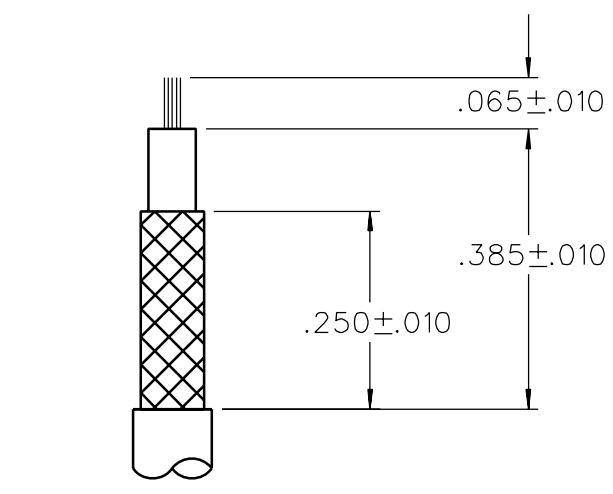
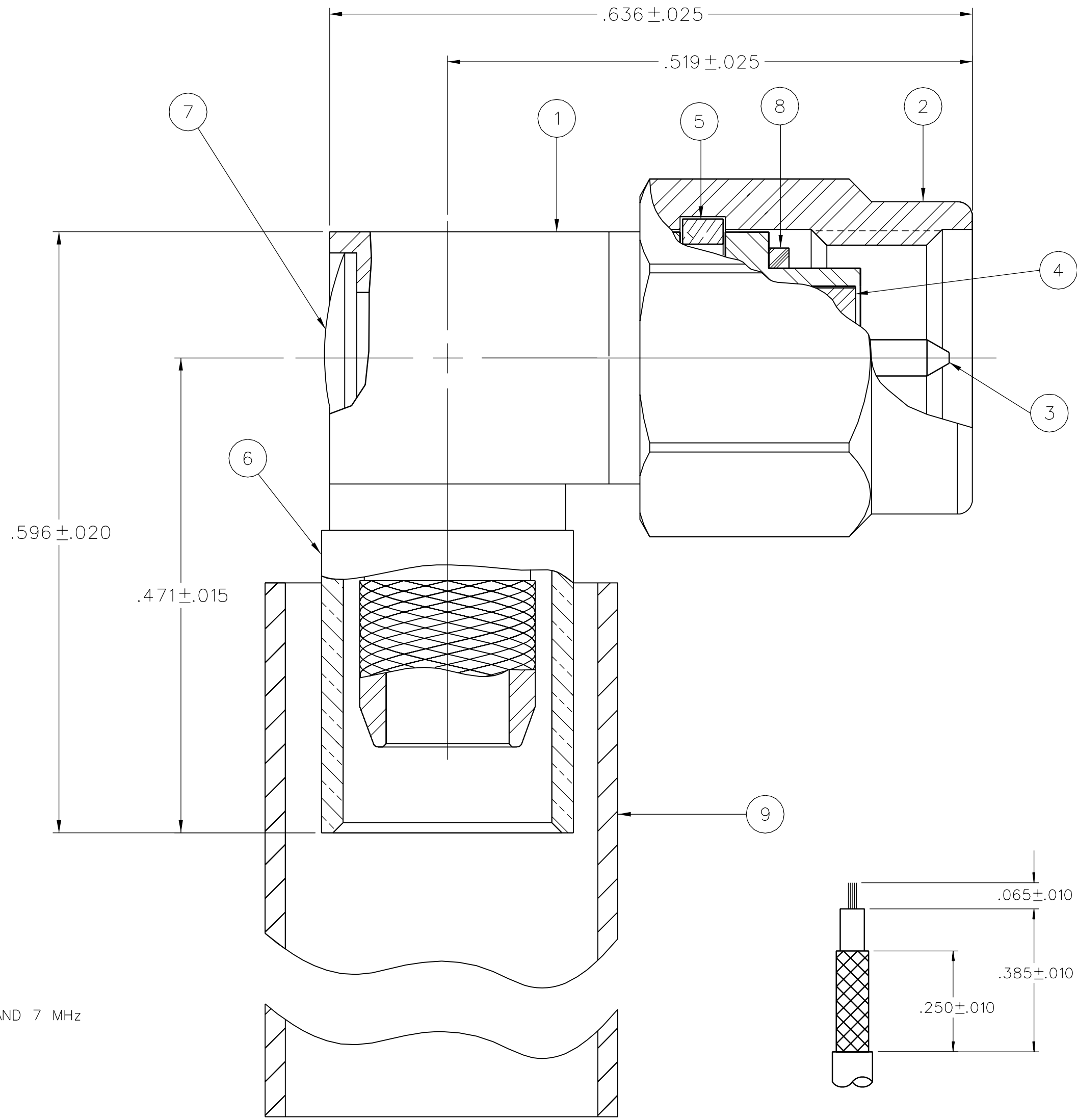
PART NUMBER 141-0407-102	ITEM ① BODY STAINLESS STEEL PASSIVATED	ITEM ② NUT STAINLESS STEEL PASSIVATED	ITEM ③ CONTACT BRASS GOLD PL .00005 MIN OVER NICKEL PL .00005 MIN OVER COPPER PL .00005 MIN	ITEM ④ INSULATOR TEFLON	ITEM ⑤ RETENTION SPRING BERYLLIUM COPPER UNPLATED	ITEM ⑥ CRIMP SLEEVE COPPER NICKEL PL .0001 MIN OVER COPPER PL .00005 MIN	ITEM ⑦ END CAP BRASS NICKEL PL .0001 MIN OVER COPPER PL .00005 MIN	ITEM ⑧ GASKET SILICONE	ITEM ⑨ HEAT SHRINK POLYOLEFIN COLOR: BLACK
-----------------------------	---	--	--	-------------------------------	--	--	--	------------------------------	---

DRAWING NO.
C - 141-0407-101/110

0 REVISIONS	
ENGINEERING RELEASE	
01	05-03-90 [E][J][R][A][W] 5-11-90 ECO 24553
UPDATE TO THICKWALL BODY, INSULATOR AND CONTACT.	
02	03-09-91 [D][V][T][R][A][W] 3-20-91 [B][E][K][J][B][W] ECO 40034
CHANGED: RF LEAK 2.5 GHz WAS 2 TO 3 GHz, RF HIGH POT 4 AND 7 MHz WAS 5 TO 7.5 MHz	
3	12-2-93 [R][T][R][A][W] ECO 42106 [H][K][J][B]
.636 WAS .664, .596 WAS .597 .471 WAS .456 REMOVE 141-0408-101	
4	5-9-06 [P][S][R][P][A] 6-22-06 [A][B][J][D][W] ECN 50444
.250 WAS .281, .385 WAS .390, .065 WAS .070	
***** * REVISION NUMBER FOLLOWED BY AN ALPHA * * CHARACTER INDICATES DRAWING CLARIFI- * CATION OR PART NUMBER ADDITION ONLY. * *****	
4a	9-21-06 [P][S][R][P][A] 12-4-06 [A][B][J][D][W] ECN 50735
UPDATED VIEWS	
5	11-5-08 [P][R][R][M][J][C] 11-10-08 [A][J][B][T][U][N] ECN 51709



5:1



CABLE STRIP DIMENSIONS
4:1

NOTES:

1. SPECIFICATIONS:
- IMPEDANCE: 50 OHMS
 - FREQUENCY RANGE: 0-12.4 GHz
 - VSWR: 1.15+.02F MAX (F IN GHz)
 - WORKING VOLTAGE: 335 VRMS MAX AT SEA LEVEL
 - DIELECTRIC WITHSTANDING VOLTAGE: 1000 VRMS MIN AT SEA LEVEL
 - INSULATION RESISTANCE: 5000 MEGOHM MIN
 - CONTACT RESISTANCE:
 - CENTER CONTACT - INITIAL 4.0 MILLIOHM MAX, AFTER ENVIRONMENTAL 6.0 MILLIOHM MAX
 - OUTER CONDUCTOR - INITIAL 2.0 MILLIOHM MAX AFTER ENVIRONMENTAL NOT APPLICABLE
 - BODY TO CABLE - 0.5 MILLIOHM MAX (GOLD PLATED) 5.0 MILLIOHM MAX (PASSIVATED)
 - CORONA LEVEL: 250 VOLTS MIN AT 70,000 FEET
 - INSERTION LOSS: .15√F (F IN GHz) AT 6 GHz
 - RF LEAKAGE: -60 DB MIN AT 2.5 GHz
 - RF HIGH POTENTIAL WITHSTANDING VOLTAGE: 670 VRMS MIN AT 4 AND 7 MHz

- MECHANICAL:
- ENGAGE/DISENGAGE TORQUE: 2 INCH-POUNDS MAX
 - MATING TORQUE: 7-10 INCH POUNDS
 - COUPLING PROOF TORQUE: 15 INCH-POUNDS MIN
 - COUPLING NUT RETENTION: 60 LBS MIN
 - CONTACT RETENTION: 6 LBS MIN
 - CABLE ACCEPTABILITY: RG 58/U, RG 141/U, RG 303/U
 - CABLE HEX CRIMP SIZE: .213
 - CABLE RETENTION: 40 LBS MIN AXIAL FORCE
 - DURABILITY: 500 CYCLES MIN


- ENVIRONMENTAL:
- (MEETS OR EXCEEDS THE APPLICABLE PARAGRAPH OF MIL-PRF-39012)
 - THERMAL SHOCK: MIL-STD-202, METHOD 107, CONDITION B EXCEPT 85°C HIGH TEMP
 - OPERATING TEMPERATURE: -65 DEG C TO 165 DEG C
 - CORROSION: MIL-STD-202, METHOD 101, CONDITION B
 - SHOCK: MIL-STD-202, METHOD 213, CONDITION I
 - VIBRATION: MIL-STD-202, METHOD 204, CONDITION D
 - MOISTURE RESISTANCE: MIL-STD-202, METHOD 106

CUSTOMER DRAWING

THIS DRAWING TO BE INTERPRETED
PER ASME Y 14.5M - 1994

"μ STATION"

COMPANY CONFIDENTIAL

TOLERANCE UNLESS OTHERWISE SPECIFIED	DRAWN BY <i>EJ</i>	DATE 10-24-89	 Cinch CONNECTIVITY SOLUTIONS a bel group	Cinch Connectivity Solutions P.O. Box 1732 Waseca, MN 56093 1-800-247-8256
DECIMALS _____ mm _____	CHECKED BY	DATE		TITLE PLUG ASSEMBLY, RA SMA, RG-58
.XX _____	APPROVED BY RJB	DATE 5-4-90	SHEET 2 OF 2	DRAWING NO. C - 141-0407-101/110
.XXX ±.003 _____	RELEASE DATE 5-11-90	SCALE 10:1		
MATL _____	U/M INCH			
FINISH _____				