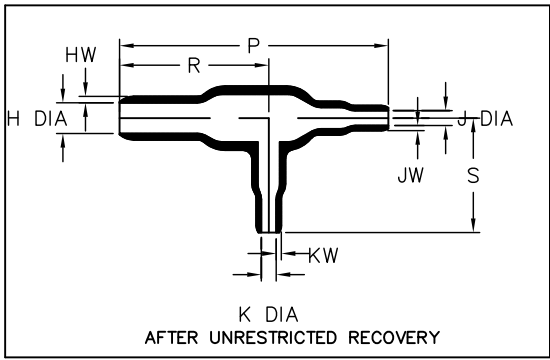
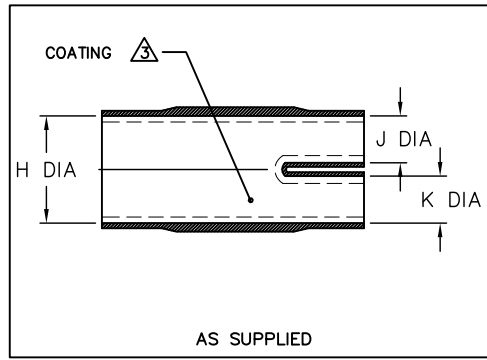


NOTES

- All dimensions are in $\frac{\text{inches}}{\text{millimeters}}$, $\frac{\text{lbs}}{\text{gms}}$
- Dimensions appearing in table are as follows:
 a - As Supplied
 b - After Unrestricted Recovery
- Coating is optional. As supplied dimensions appearing in table are for uncoated parts. When coating is added, entry diameters will be reduced by .06 max.



| REVISIONS | | |
|-----------|---------------------------|-----------|
| LTR | DESCRIPTION | DATE |
| B | REVISED PER ECO-14-014522 | 9/11/2014 |

ORDERING INFORMATION

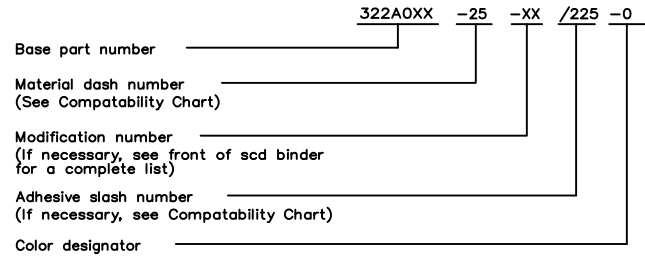


TABLE OF DIMENSIONS

| PART NUMBER | H | | J & K | | P | R | S | T | U | HW | JW & KW |
|----------------|----------------|----------------|----------------|---------------|-----------------|-----------------|----------------|-----------------|----------------|---------------|---------------|
| | Min | Max | Min | Max | ±10% | ±10% | ±10% | ±10% | ±10% | ±20% | ±20% |
| | a | b | a | b | b | b | b | b | b | b | b |
| 322A012-25/225 | .52 [13,2] | .29 [7,4] | .26 [6,6] | .15 [3,8] | 2.20 [55,9] | 1.30 [33,0] | .76 [19,3] | 1.57 [39,9] | .85 [21,6] | .06 [1,02] | .04 [1,02] |
| 322A024-25/225 | 1.06 [26,9] | .52 [13,2] | .52 [13,2] | .26 [6,6] | 3.82 [97,0] | 2.12 [53,8] | 1.52 [38,6] | 2.59 [65,8] | 1.43 [36,3] | .10 [2,54] | .06 [1,52] |
| 322A037-25/225 | 2.19 [55,6] | 1.07 [27,2] | 1.06 [26,9] | .52 [13,2] | 7.80 [198,1] | 4.38 [111,3] | 3.06 [77,7] | 5.14 [130,6] | 2.91 [73,9] | .18 [4,57] | .10 [2,54] |

If this document is printed it becomes uncontrolled. Check for the latest revision

| COMPATABILITY CHART | | | | | |
|---------------------|----------------------------|---------|-------------------|---------------|---------------------|
| MATERIAL DASH NO. | MATERIAL DESCRIPTION | RT SPEC | COATING SLASH NO. | COATING S NO. | COATING DESCRIPTION |
| -25 | Elastomer, Fluid Resistant | RW-2070 | /225 | S-1206 | Adhesive |

| | | |
|---|------------------------------|---|
| <small>UNLESS OTHERWISE SPECIFIED DIMENSIONS ARE INCHES. METRIC DIMENSIONS ARE IN BRACKETS.</small> <small>DECIMAL TOLERANCES</small> .XX ± 0.005 (0.13 mm) .XX ± 0.01 (0.25 mm) .X ± 0.1 (2.54 mm) <small>ANGLE TOLERANCE</small> X ± 1 DEG. | DRAWN M.MAZARIEGOS | TITLE Transition, 90° Side Breakout |
| | APPROVED S.GRAVANO | |
| <small>TYCO ELECTRONICS RESERVES THE RIGHT TO AMEND THIS DRAWING AT ANY TIME. USERS SHOULD EVALUATE THE SUITABILITY OF THE PRODUCT FOR THEIR APPLICATION.</small> | THIRD ANGLE PROJECTION | DWG. NO. 322A012 thru 037-25/225 |
| <small>© 2014 Tyco Electronics Corporation. All rights reserved.</small> | | DO NOT SCALE THIS DRAWING |

Raychem Molded parts
CUSTOMER DRAWING

