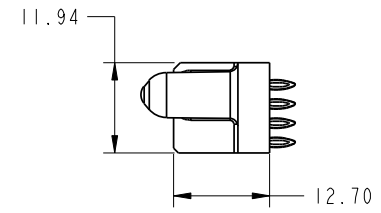
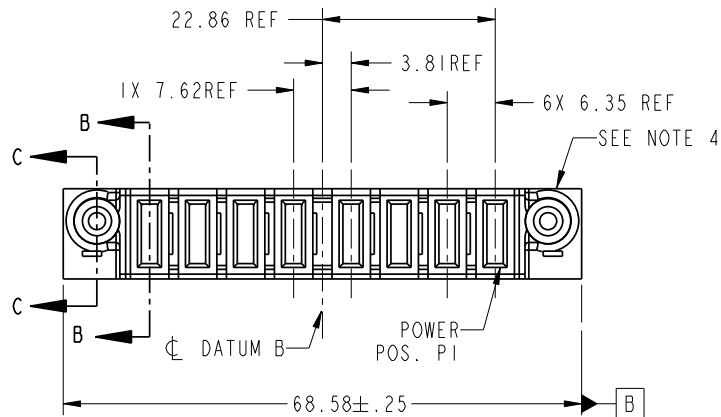


Tous droits strictement réservés. Reproduction ou communication o des liers interdite sous quelque forme que ce soit sans autorisation écrite du propriétaire. Propriete de c FCI. Droits de reproduction FCI.



All rights strictly reserved. Reproduction or issue to third parties in any form whatever is not permitted without written authority from the proprietor. Property of FCI. Copyright FCI.

PRODUCT NO. 51940-192-- NOTE: 3	POWER									E1
	E2	P8	P7	P6	P5	P4	P3	P2	P1	



CODE	DIM "M" MATING LENGTH	CONTACT TYPE
PC	[1.07]	POWER

mat'l code				SEE NOTE 2		tolerances unless otherwise specified		CUSTOMER		FCI	
lir	ecn no.	dr	date	linear	0.X ± 0.3	COPY		www.fciconnect.com			
A	DG06-0259	JULIA	29/06/06	linear	0.XX ± 0.10	projection		title 8P VERTICAL PF RECEPT			
				angles	0.XXX ± 0.050	MM		product family PwrBlade code 213			
				dr	0° ± 2°	scale 1:1		size A 51940-192 sheet 1 of 4			
				enr	JULIA WANG 29/06/06						
				chr	SALLY LUO 29/06/06						
				appd	BEER FU 29/06/06						
				appd	JOSEPH HSIA 29/06/06						
sheet index	revision sheet	A 1	A 2	A 3	A 4						

1 | 2

Pro/E

PDM: Rev: A

STAT: Released

Printed: Dec 20, 2010

3 |

4

A

A

B

B

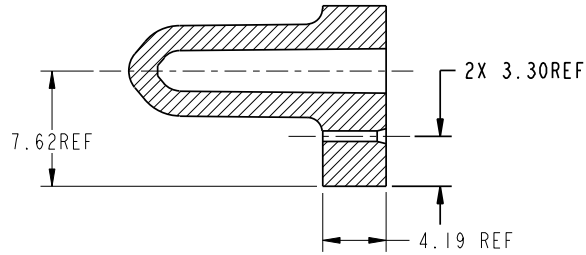
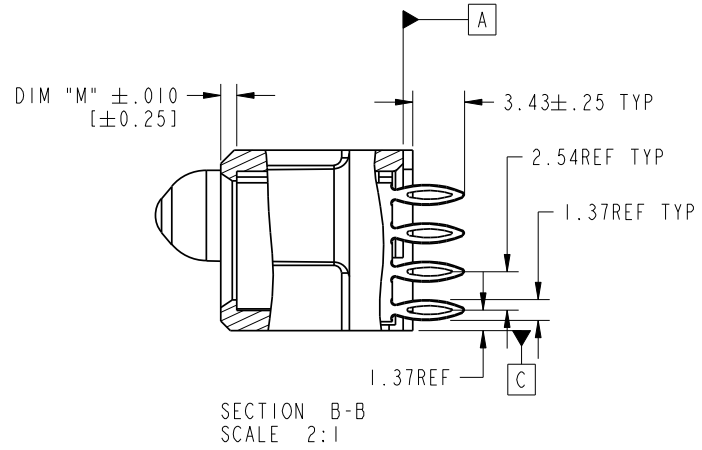
Tous droits strictement reserves. Reproduction ou communication a des tiers interdite sous quelque forme que ce soit sans autorisation ecrite du proprietaire. Propriete de c FCI. Droits de reproduction FCI.

All rights strictly reserved. Reproduction or issue to third parties in any form whatever is not permitted without written authority from the proprietor. Property of FCI. Copyright FCI.



PRODUCT NUMBER

51940-192__
NOTE: 3



SECTION C-C
SCALE 2:1

CONFIDENTIAL

mol'l code				tolerances unless otherwise specified		CUSTOMER		FCI www.fciconnect.com	
lir	ecn no.	dr	date	linear	0.X ±0.3	COPY		title	
A					0.XX ±0.10	projection		8P	
				angles	0.XXX ±0.050	⊕		VERTICAL PF RECEPT	
				dr	0° ±2°	MM		product family	
				enr	JULIA WANG 29/06/06	←		PwrBlade	
				chr	SALLY LUO mm/dd/yy	→		code	
				appd	BEER FU 29/06/06	scale		size	
					JOSEPH HSIA 29/06/06	1:1		dwg no	
sheet index	revision sheet							A 51940-192	
								213	
								sheet 2 of 4	

code code 2256

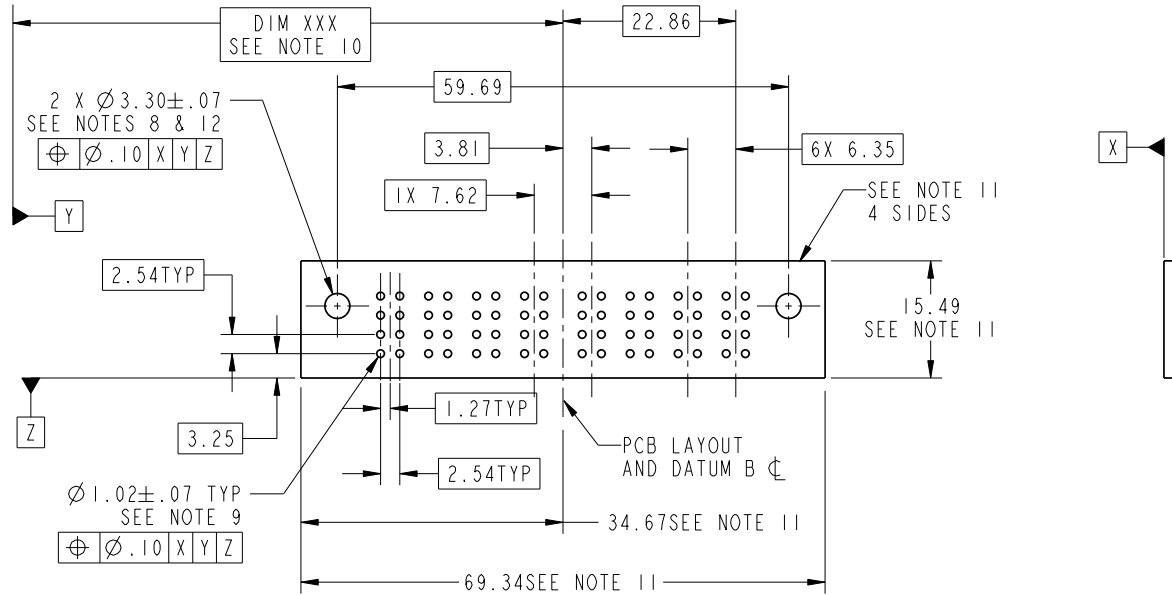
Tous droits strictement reserves. Reproduction ou communication a des tiers interdite sous quelque forme que ce soit sans autorisation ecrite du proprietaire. Propriete de c FCI. Droits de reproduction FCI.

All rights strictly reserved. Reproduction or issue to third parties in any form whatever is not permitted without written authority from the proprietor. Property of FCI. Copyright FCI.



PRODUCT NUMBER

51940-192__
NOTE: 3



CONFIDENTIAL

mat'l code				tolerances unless otherwise specified		CUSTOMER		FCI	
lir	ecn no.	dr	date	linear	0.X ±0.3	COPY		www.fciconnect.com	
A				linear	0.XX ±0.10	projection		title	
				angles	0.XXX ±0.050			8P	
				dr	0° ±2°	MM		VERTICAL PF RECEPT	
				enr	JULIA WANG 29/06/06	scale		product family PwrBlade	
				enr	SALLY LUO mm/dd/yy	1:1		code	
				chr	BEER FU 29/06/06			size	
				appd	JOSEPH HSIA 29/06/06			dwg no	
sheet index	revision sheet							A 51940-192	
								213	
								3 of 4	

code code 22556

Pro/E

PDM: Rev: A

STAT US: Released

Printed: Dec 20, 2010

Tous droits strictement reserves. Reproduction ou communication a des tiers interdite sous quelque forme que ce soit sans autorisation écrite du propriétaire. Propriete de c FCI. Droits de reproduction FCI.



All rights strictly reserved. Reproduction or issue to third parties in any form whatever is not permitted without written authority from the proprietor. Property of FCI. Copyright FCI.

1 | 2

3

4

PRODUCT NUMBER

51940-192__
NOTE: 3

NOTES:

1. DIMENSIONS AND TOLERANCES ARE IN ACCORDANCE WITH ASME Y14.5M, 1994 UNLESS OTHERWISE SPECIFIED.

CONNECTOR NOTES:

- ② HOUSING MATERIAL: UL 94 V-0 GLASS FILLED
HIGH-TEMP THERMOPLASTIC
POWER CONTACT MATERIAL: COPPER ALLOY
SIGNAL PIN MATERIAL: COPPER ALLOY
- 3. PLATING SPEC.
51940-192,51940-192LF PLATING SPEC. WAS SHOWN IN THE PRINT OF 10064183.

④ MANUFACTURER'S NAME, P/N, AND DATE CODE TO APPEAR ON THIS SURFACE.

5. PRODUCT SPECIFICATION GS-12-149.
APPLICATION SPECIFICATION BUS-20-067.

6. PACKAGED IN TRAYS.

PCB NOTES:

7. ALL HOLE DIAMETERS ARE FINISHED HOLE SIZE.

⑧ MOUNTING HOLES, WHERE APPLICABLE, ARE UNPLATED.

⑨ $\varnothing .0453 \pm .0010$ [1.151 \pm 0.025] DRILLED HOLES PLATED WITH .0003 [0.008] MIN SnPb OVER .001 [0.03] TO .003 [0.08] Cu PLATING TO ACHIEVE $\varnothing .040 \pm .003$ [1.02 \pm .07] HOLE.

⑩ "DIM XXX" TO BE DETERMINED BY THE CUSTOMER.

⑪ CONNECTOR KEEP-OUT ZONE.

⑫ RECOMMENDED RETENTION TO PCB

$\varnothing 3.3$ THRU HOLE FOR #5 SOCKET HEAD CAP SCREW
MAX. HEAD 5.21 RECOMMENED SCREW LENGTH 12mm + PCB THICKNESS.
RECOMMENDED SCREW SEATING TO PCB TORQUE: 2-5 lbf-in (2300-5760 gf-cm)

CONFIDENTIAL

mat'l code				tolerances unless otherwise specified		CUSTOMER		FCI www.fciconnect.com	
lir	ecn no.	dr	date	linear	COPY		projection	title	
A					0.X \pm 0.3			8P	
					0.XX \pm 0.10			VERTICAL PF RECEPT	
				angles	0.XXX \pm 0.050		MM	product family	
					0° \pm 2°			PwrBlade	
				dr	JULIA WANG 29/06/06			code	213
				enr	SALLY LUO mm/dd/yy		size	dwg no	
				chr	BEER FU 29/06/06		A	51940-192	
				appd	JOSEPH HSIA 29/06/06		scale	4 of 4	
sheet index	revision sheet								

A

A

B

B

1 | 2

Pro/E

PDM: Rev: A

STAT US: Released

Printed: Dec 20, 2010