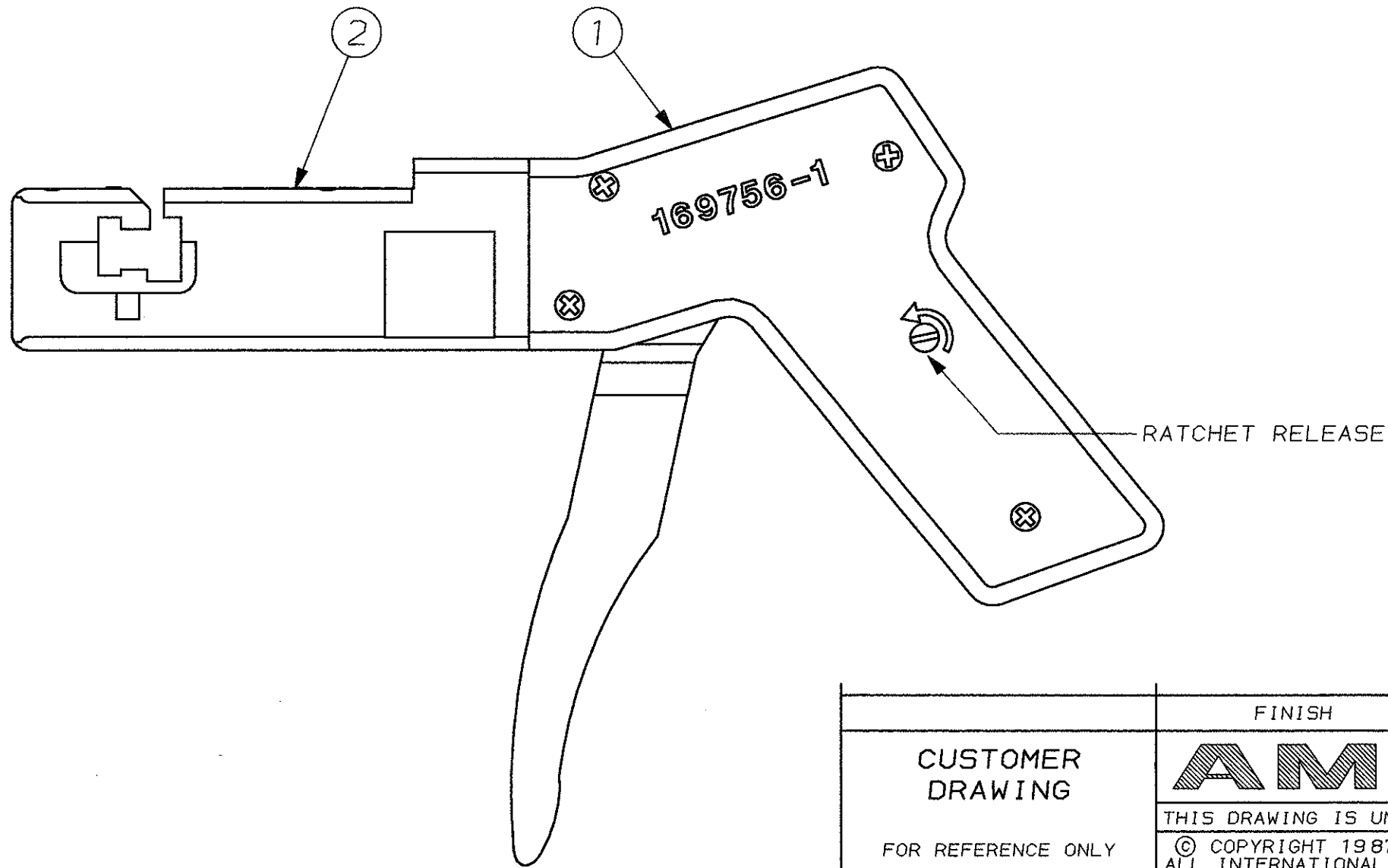
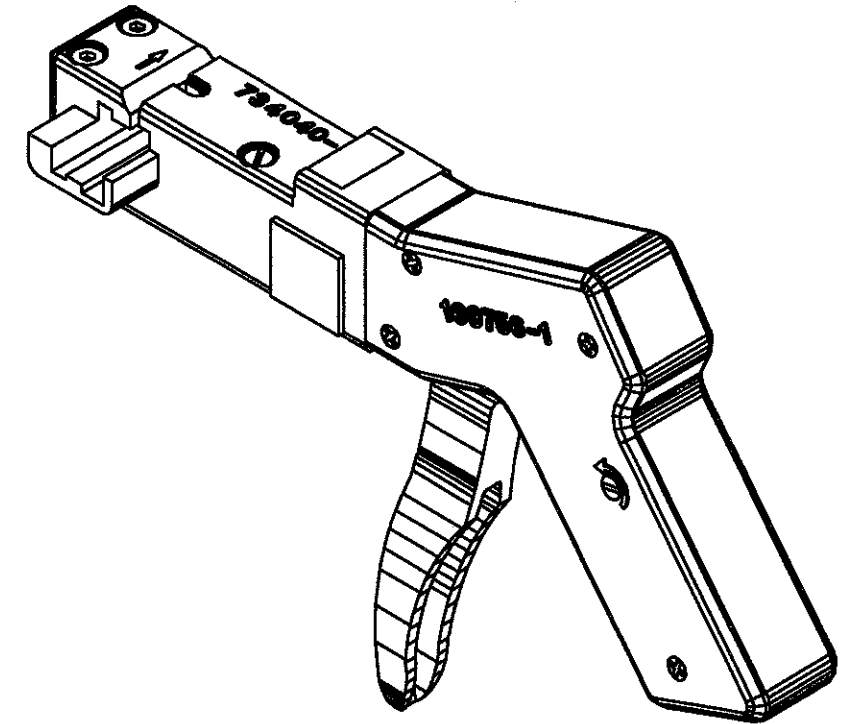
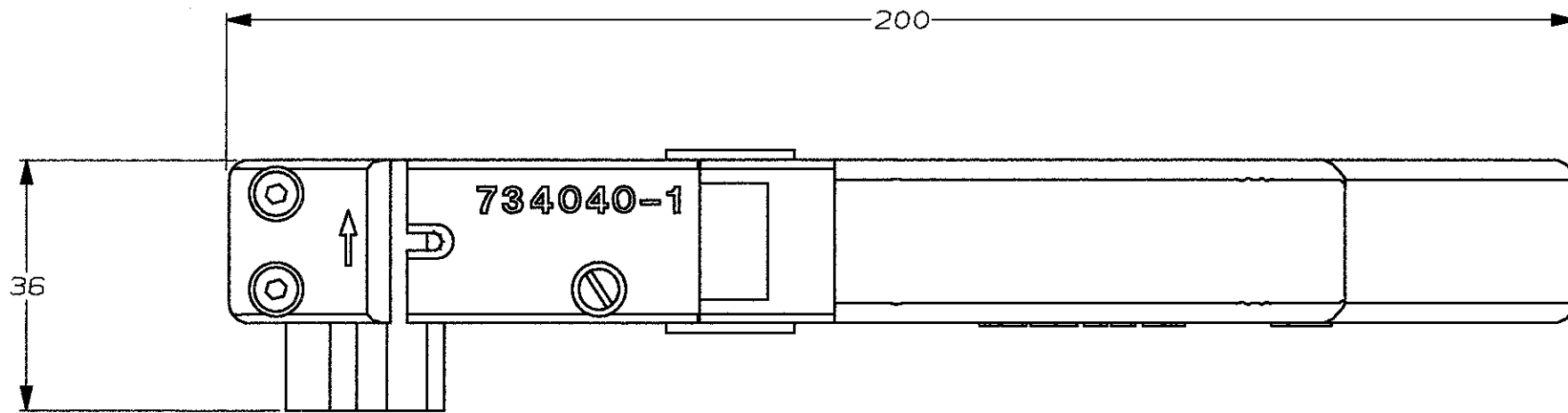


DO NOT SCALE
DIMENSIONS IN mm

METRIC

THIRD ANGLE
PROJECTION



1	BOX	734030-1	3
1	HEAD	734040-1	2
1	PISTOLGRIP	169756-1	1
-1	NAME	PARTNUMBER	ITEM

CUSTOMER DRAWING		AMP		AMP-HOLLAND B.V. 's-Hertogenbosch, The Netherlands.	
FOR REFERENCE ONLY WILL NOT BE UPDATED		THIS DRAWING IS UNPUBLISHED RELEASED FOR PUBLICATION 03, 1987			
DR. L.V.D.HEYDEN		DATE 08.04.1988		REV. DATE D M Y	
CHK. R.VOS		DATE		08 04 88	
APP. L.VAN SOEST		DATE		REV. LTR. 0	
WIRE RANGE -		NAME PISTOLGRIP HANDTOOL FOR HE 14 90° CONN.		-	
INSUL. RANGE -		SIZE A3		SHEET 1 OF 1	
		DWG. No. 734041			

8 7 6 5 4 3 2 1