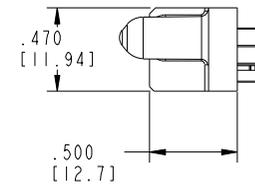
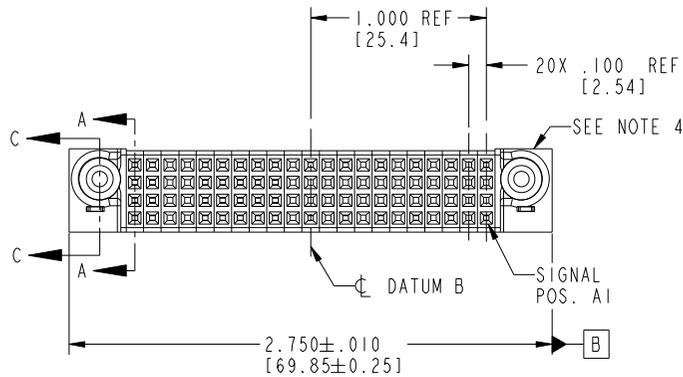


Tous droits strictement réservés. Reproduction ou communication à des tiers interdite sous quelque forme que ce soit sans autorisation écrite du propriétaire. Propriété de c FCI. Droits de reproduction FCI.



All rights strictly reserved. Reproduction or issue to third parties in any form whatever is not permitted without written authority from the proprietor. Property of FCI. Copyright FCI.

PRODUCT NO.	ROWS	SIGNAL																						
		E2	20	19	18	17	16	15	14	13	12	11	10	9	8	7	6	5	4	3	2	1	E1	
51940-162-- NOTE: 3	D C B A		E	E	X	X	E	E	E	E	X	X	E	E	E	X	X	E	E	E	X	X	E	E
			E	E	X	X	E	E	E	E	X	X	E	E	E	X	X	E	E	E	X	X	E	E
			E	E	X	X	E	E	E	E	X	X	E	E	E	X	X	E	E	E	X	X	E	E



CODE	DIM "M" MATING LENGTH	CONTACT TYPE
E	N/A [N/A]	SIGNAL
HA	N/A [N/A]	HOLD-DOWN
X	OMITTED	OMITTED

mat'l code				SEE NOTE 2		tolerances unless otherwise specified		CUSTOMER		FCI		www.fciconnect.com	
ltr	ecn no.	dr	date	linear	.XX±.01/0.X±0.3	projection		COPY		title		84S	
A	DG05-0296	GuoJM	08/24/05	linear	.XXX±.005/0.XX±0.13	projection		projection		title		VERTICAL SOLDER RECEPT	
B	DG06-0461	JMG	11/03/06	angles	.XXX±.0020/0.XX±0.051	angles		angles		product family		PwrBlade	
				dr	JM Guo 08/24/05	dr		dr		product family		code	
				enr	SLUO 08/24/05	enr		enr		product family		213	
				chr	VICTOR LIN 08/24/05	chr		chr		product family		sheet	
				appd	JOSEPH HSIA 08/24/05	appd		appd		product family		1 of 4	
sheet index	revision	B	B	B	B	scale		scale		size		dwg no	
	sheet	1	2	3	4	1:1		1:1		A		51940-162	

cage code 22526 4

PDM: Rev:B

STATUS: Released

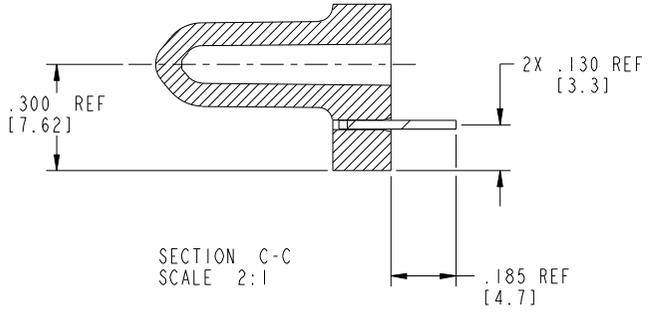
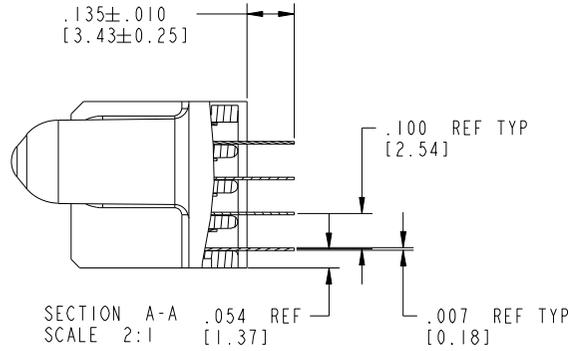
Printed: Dec 20, 2010

Tous droits strictement réservés. Reproduction ou communication o des tiers interdite sous quelque forme que ce soit sans autorisation écrite du propriétaire. Propriété de c FCI. Droits de reproduction FCI.



All rights strictly reserved. Reproduction or issue to third parties in any form whatever is not permitted without written authority from the proprietor. Property of FCI. Copyright FCI.

PRODUCT NUMBER  
51940-162--  
NOTE: 3



mat'l code		SEE NOTE 2		tolerances unless otherwise specified		CUSTOMER		FCI		www.fciconnect.com	
ltr	ecn no.	dr	date	linear	.XX±.01/0.X±0.3	COPY		projection		title	
B					.XXX±.005/0.XX±0.13			84S		VERTICAL SOLDER RECEPT	
				angles	.XXX±.0020/0.XX±0.051			product family		code	
				dr	0°±2°	JM Guo 08/24/05		PwrBlade		213	
				enr		SLUO 08/24/05		size		dwg no	
				chr		VICTOR LIN 08/24/05		A		51940-162	
				appd		JOSEPH HSIA 08/24/05		scale		sheet	
								1:1		2 of 4	
sheet index	revision sheet										

cage code 22526

Pro/E

PDM: Rev:B

STATUS: Released

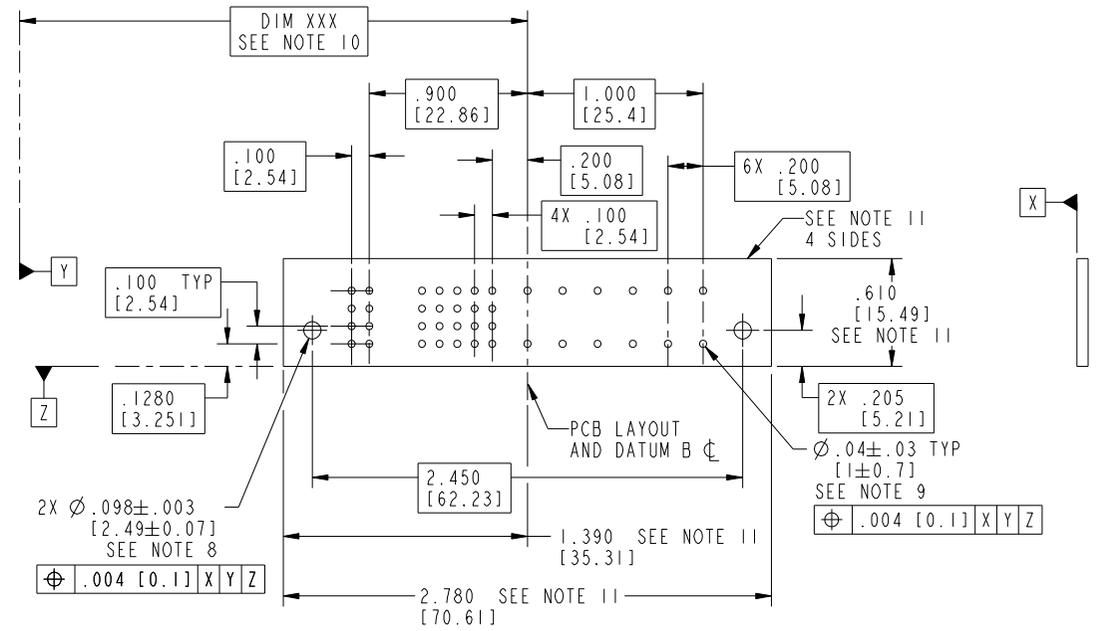
Printed: Dec 20, 2010

Tous droits strictement réservés. Reproduction ou communication o des tiers interdite sous quelque forme que ce soit sans autorisation écrite du propriétaire. Propriété de c FCI. Droits de reproduction FCI.



All rights strictly reserved. Reproduction or issue to third parties in any form whatever is not permitted without written authority from the proprietor. Property of FCI. Copyright FCI.

PRODUCT NUMBER  
51940-162\_\_  
NOTE: 3



mat'l code		SEE NOTE 2		tolerances unless otherwise specified		CUSTOMER		FCI		www.fciconnect.com	
ltr	ecn no.	dr	date	linear	.XX±.01/0.X±0.3	COPY		projection		title	
B					.XXX±.005/0.XX±0.13					84S	
				angles	.XXX±.0020/0.XXX±0.051					VERTICAL SOLDER RECEPT	
				dr	JM Guo 08/24/05			product family		PwrBlade	
				enr	SLUO 08/24/05			size		213	
				chr	VICTOR LIN 08/24/05			scale		3 of 4	
				appd	JOSEPH HSIA 08/24/05			A		51940-162	
sheet index	revision sheet										

cage code 22526

Pro/E

PDM: Rev:B

STATUS: Released

Printed: Dec 20, 2010

Tous droits strictement réservés. Reproduction ou communication o des tiers interdite sous quelque forme que ce soit sans autorisation écrite du propriétaire. Propriété de c FCI. Droits de reproduction FCI.



All rights strictly reserved. Reproduction or issue to third parties in any form whatever is not permitted without written authority from the proprietor. Property of FCI. Copyright FCI.

1 | 2

3 |

4

PRODUCT NUMBER  
51940-162\_\_  
NOTE: 3

NOTES:

1. DIMENSIONS AND TOLERANCES ARE IN ACCORDANCE WITH ASME Y14.5M, 1994 UNLESS OTHERWISE SPECIFIED.

CONNECTOR NOTES:

- 2 HOUSING MATERIAL: UL 94 V-0 GLASS FILLED  
HIGH-TEMP THERMOPLASTIC  
POWER CONTACT MATERIAL: COPPER ALLOY  
SIGNAL PIN MATERIAL: COPPER ALLOY
- 3. 51940-162;51940-162LF;51940-162GLF PLATING SPEC. SEE PRINT:10064183
- 4 MANUFACTURER'S NAME, P/N, AND DATE CODE TO APPEAR ON THIS SURFACE.
- 5. PRODUCT SPECIFICATION GS-12-149.  
APPLICATION SPECIFICATION BUS-20-067.
- 6. PACKAGED IN TRAYS.

PCB NOTES:

- 7. ALL HOLE DIAMETERS ARE FINISHED HOLE SIZE.
- 8 MOUNTING HOLES, WHERE APPLICABLE, ARE UNPLATED.
- 9  $\varnothing .0453 \pm .0010$  [1.151 $\pm$ 0.025] DRILLED HOLES PLATED WITH .0003 [0.008] MIN SnPb OR Sn OVER .001 [0.03] TO .003 [0.08] Cu PLATING TO ACHIEVE  $\varnothing .040 \pm .003$  [1.02 $\pm$ .07] HOLE.
- 10 "DIM XXX" TO BE DETERMINED BY THE CUSTOMER.
- 11 CONNECTOR KEEP-OUT ZONE.

mat'l code				SEE NOTE 2		tolerances unless otherwise specified		CUSTOMER		FCI www.fciconnect.com	
ltr	ecn no.	dr	date	linear	.XX±.01/0.X±0.3	COPY		projection	title 84S		
B					.XXX±.005/0.XX±0.13				VERTICAL SOLDER RECEPT		
				angles	.XXX±.0020/0.XX±0.051				product family	PwrBlade	code
				dr	0°±2°	JM Guo	08/24/05	←→	size	dwg no	213
				enr		SLUO	08/24/05	scale	A	51940-162	sheet
				chr		VICTOR LIN	08/24/05	1:1	4 of 4		
				appd		JOSEPH HSIA	08/24/05				
sheet index	revision sheet										

A

A

B

B

1 | 2

3 |

4

Pro/E

cage code 22526

PDM: Rev:B

STATUS:Released

Printed: Dec 20, 2010