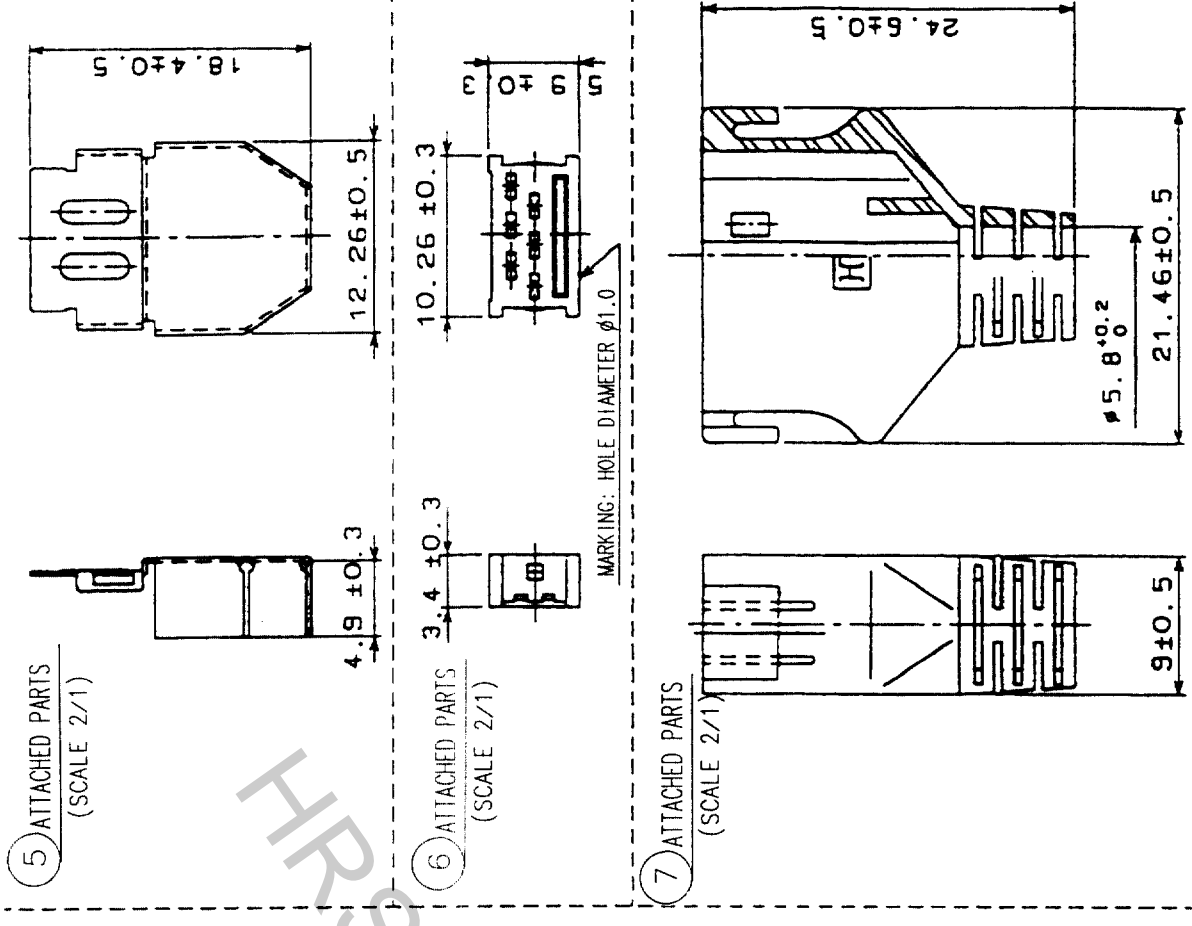
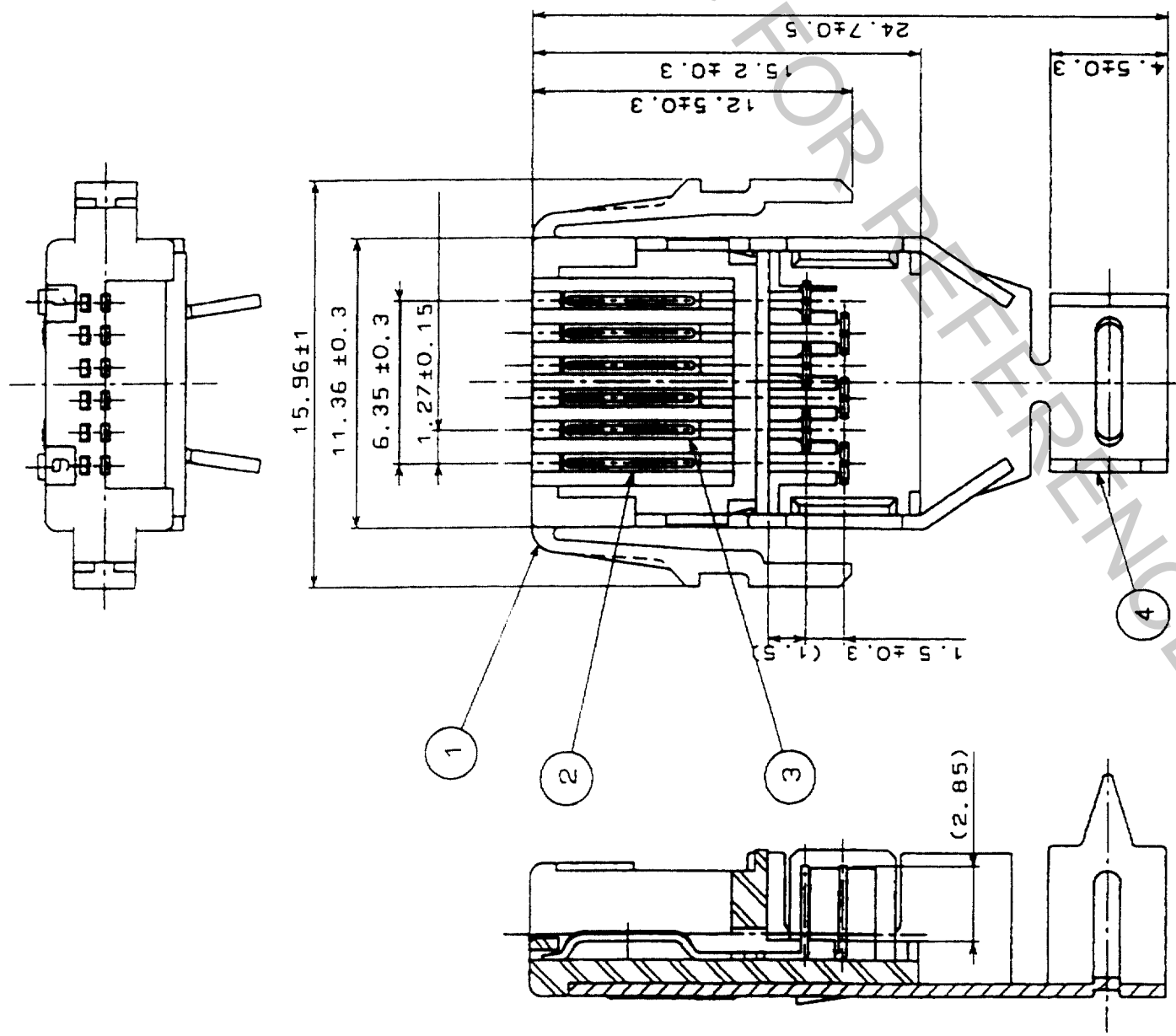


COUNT	DESCRIPTION OF REVISIONS	BY	CHKD	DATE	COUNT	DESCRIPTION OF REVISIONS	BY	CHKD	DATE
△					△				
△					△				
△					△				



NO.	MATERIAL	FINISH, REMARKS	NO.	MATERIAL	FINISH, REMARKS
4	BRASS	TIN PLATING	7	POLYCARBONATE	(BLACK)
3	BERYLLIUM COPPER	SELECTIVE GOLD PLATING 0.2μm	6	POLYCARBONATE	UL94V-0(CLEAR)
2	BERYLLIUM COPPER	SELECTIVE GOLD PLATING 0.2μm	5	BRASS	TIN PLATING
1	POLYCARBONATE	UL94V-0(WHITE)			

CODE NO. (OLD)	CL	DESIGNED	CHECKED	APPROVED	RELEASED
		<i>S. Hanaga</i>	<i>S. Hanaga</i>	<i>J. Watanabe</i>	
		03.12.10	03.12.10	03.12.11	03.12.12

DRAWING NO.	EDC3-045477-01	PART NO.	3130-6P-C(50)
SCALE	4 : 1	CODE NO.	CL231-3014-6-50
UNITS	mm		

TO	Q
----	---