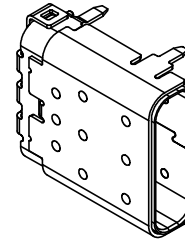
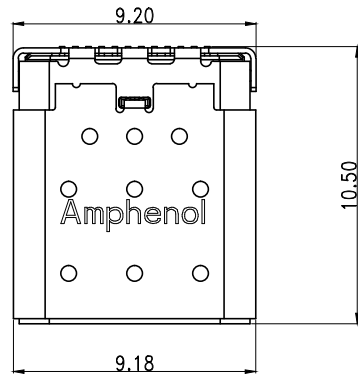


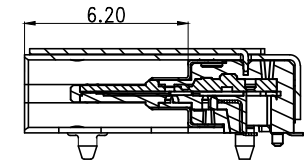
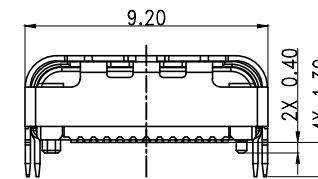
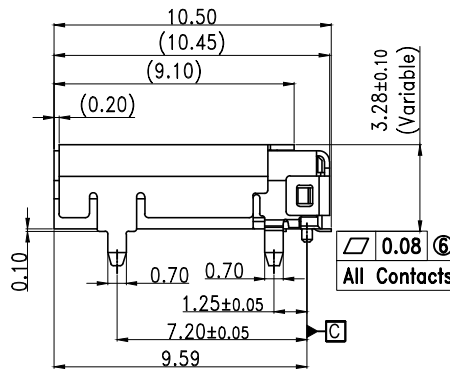
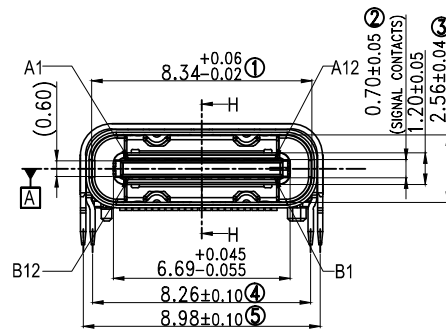
This document is the property of Amphenol Corporation and is delivered on the express condition that it is not to be disclosed, reproduced or used, in whole or in part, for manufacture or sale by anyone other than Amphenol Corporation without its prior consent, & that no right is granted to disclose or to use any information in this document.

# REFERENCE DRAWING

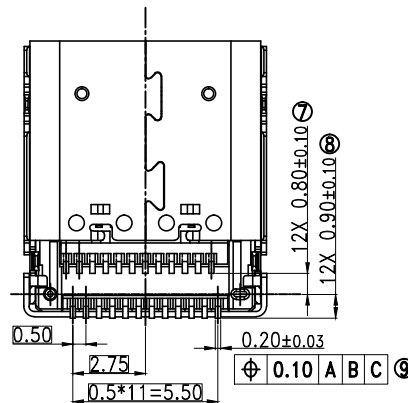
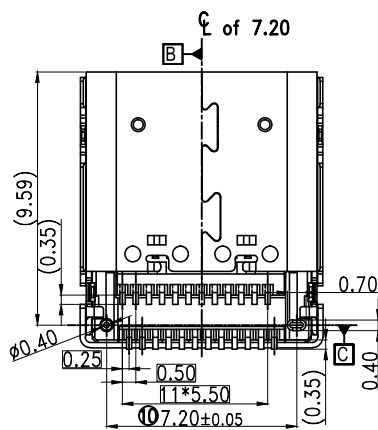
		REVISIONS		
SYM	ECN	DESCRIPTION	DATE	APPROVED
X1	1605****	NEW RELEASE	04/25/17	Tom



Pin No	Signal Name	Mating Sequence	Pin No	Signal Name	Mating Sequence
A1	GND	First	B12	GND	First
A2	TX1+	Second	B11	RX1+	Second
A3	TX1-	Second	B10	RX1-	Second
A4	Vbus	First	B9	Vbus	First
A5	CC1	Second	B8	SBU2	Second
A6	D+	Second	B7	D-	Second
A7	D-	Second	B6	D+	Second
A8	SBU1	Second	B5	CC2	Second
A9	Vbus	First	B4	Vbus	First
A10	RX2-	Second	B3	TX2-	Second
A11	RX2+	Second	B2	TX2+	Second
A12	GND	First	B1	GND	First
SHELL	GND		SHELL	GND	



SECTION H-H



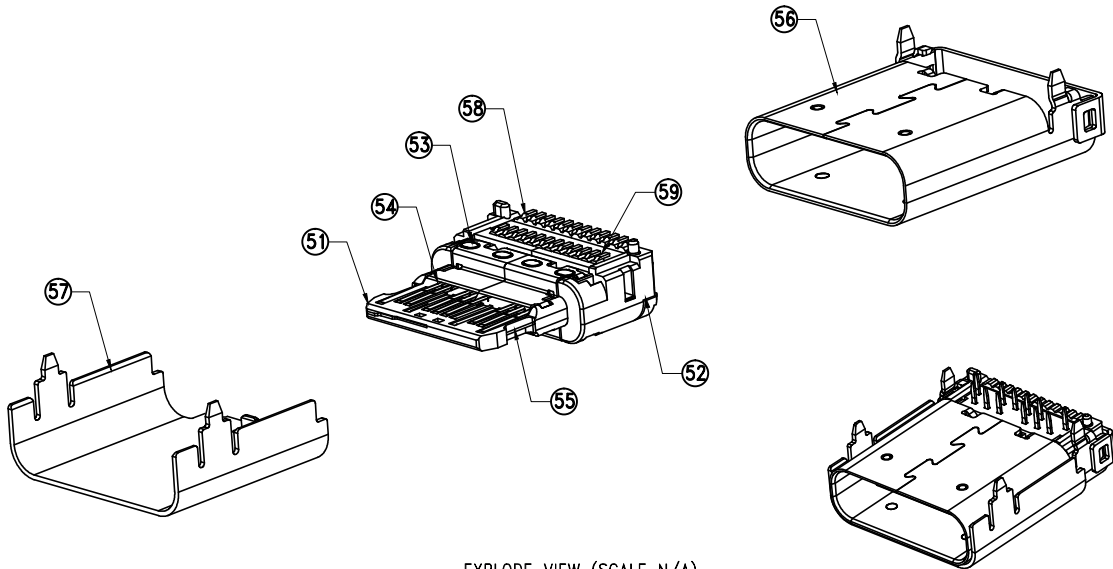
**Notes:**

- Material :  
Contacts : copper alloy  
Shell : Stainless steel.  
Housing : High-temperature polymer UL94V-0, black.
- Plating :  
Contacts: contact area 30u" Au, Solder tail gold flash or matte tin, nickel overall.  
Shell : Nickel Plating
- Coplanarity : 0.08Max.
- P/N : 12401722E4#2A.
- Packaging type: carrier tape.
- Material should be fulfilled Amphenol spec# SSN002 AND Customer Requirements, for halogen free products, also need to meet SSN004

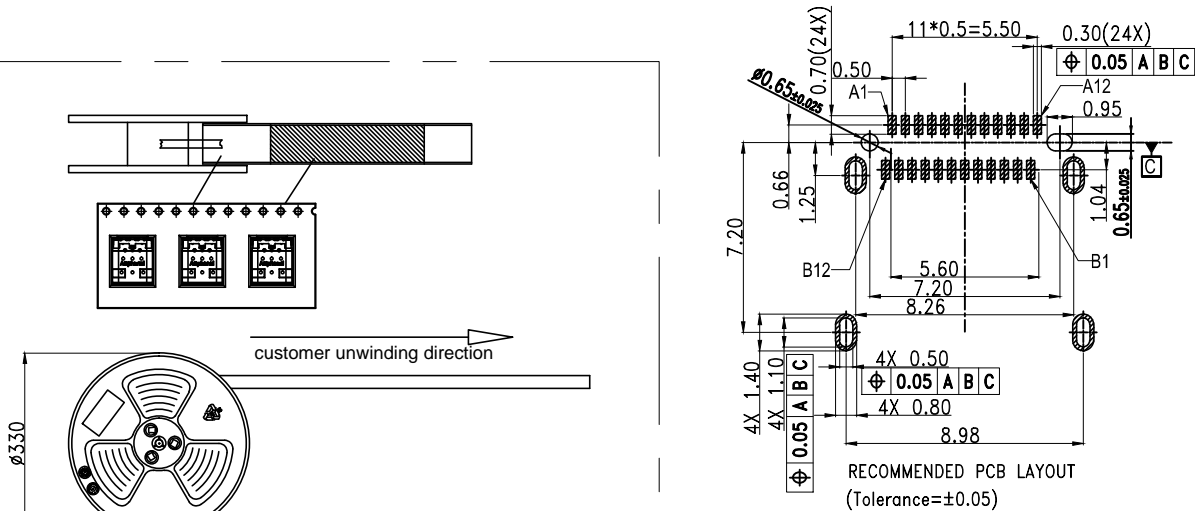
UNLESS OTHERWISE SPECIFIED TOLERANCES		APPROVAL	DATE	Amphenol
	U.S. METRIC	DRAWN Allan.Lal	04/25/17	
.X +/-	±0.30	CHECKED Welson.Lu	04/25/17	TITLE USB TYPE C CONNECTOR RIGHT ANGLE DUAL ROW SMT(S=1.30mm)
.XX +/-	±0.25	CHECKED		
.XXX +/-	±0.20	DRAWING FILE :		SIZE DRAWING NO. A3 12401832E402A
FRACTIONS		ANGLE OF PROJECTION		
ANGLES +/-				REV. X1
FOR MATERIALS AND FINISHES SEE NOTES		REMOVE SHARP EDGES		SCALE NONE
DIMENSIONS		DIMENSIONS		SHEET 1 OF 2
U.S.	INCHES			
(METRIC)	(MM)			

This document is the property of Amphenol Corporation and is delivered on the express condition that it is not to be disclosed, reproduced or used, in whole or in part, for manufacture or sale by anyone other than Amphenol Corporation without its prior consent, & that no right is granted to disclose or to use any information in this document.

REVISIONS				
SYM	ECN	DESCRIPTION	DATE	APPROVED
SEE PAGE 1				



EXPLODE VIEW (SCALE N/A)



RECOMMENDED PCB LAYOUT  
(Tolerance=±0.05)

ITEM	DESCRIPTION	Q'TY	MATERIAL	PART NO.	FINISH
7	BOTTOM TERMINAL	1	C7025 TMO3	32401846E4	CONTACT:30u" AU MIN; SOLDER TAIL:100u" MATTE TIN MIN;
6	TOP TERMINAL	1	C7025 TMO3	32401845E4	CONTACT:30u" AU MIN; SOLDER TAIL:100u" MATTE TIN MIN;
5	OUTER SHELL	1	SUS304-1/2H	32401831G3	SOLDER NICKEL: 50U" MIN
4	MAIN SHELL	1	SUS304-1/2H	32401849G3	SOLDER NICKEL: 50U" MIN
3	GND SHEET	1	SUS301-EH	32401847A6	SOLDER NICKEL: 50U" MIN
2	EMC	2	SUS304-1/2H	32401848A6	SOLDER NICKEL: 50U" MIN
1	MAIN HOUSING	1	PA46	8240012002A	BLACK

BILL OF MATERIAL

UNLESS OTHERWISE SPECIFIED TOLERANCES		APPROVAL	DATE
	U.S. METRIC	DRAWN Alan.Lal	04/25/17
.X	+/-	CHECKED Wilson.Lu	04/25/17
.JX	+/-	CHECKED	
.JXX	+/-		
FRACTIONS	+/-		
ANGLES	+/-		
FOR MATERIALS AND FINISHES SEE NOTES		DRAWING FILE :	
REMOVE SHARP EDGES		ANGLE OF PROJECTION	
DIMENSIONS			
U.S.	INCHES-		
(METRIC)	(MM)		
TITLE		REV.	
USB TYPE C CONNECTOR RIGHT ANGLE DUAL ROW SMT(S=1.30mm)		X1	
SIZE	DRAWING NO.	SCALE	
A3	12401832E402A	NONE	
SHEET 2 OF 2			

Amphenol

12401832E402A

SHEET 2 OF 2