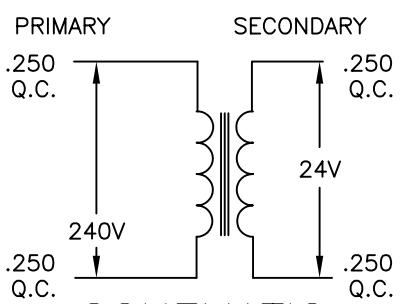
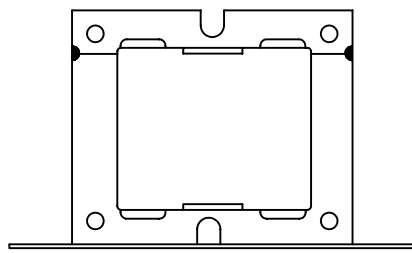
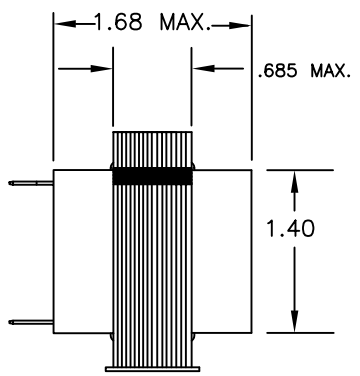
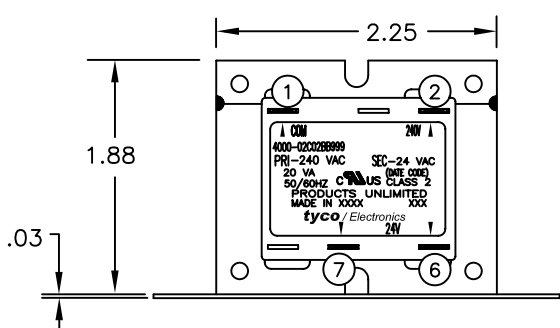


PRIMARY						SECONDARY				
TERM NO.	1	2	3	4	5	TERM NO.	6	7	8	9
VOLTAGE	COM	240				VOLTAGE	24	VAC		
TERMINAL WIDTH	.250	.250				TERMINAL WIDTH	.250	.250		
TERMINAL THICKNESS	.032	.032				TERMINAL THICKNESS	.032	.032		

NOTES:
 1. DIMENSIONS FOR REFERENCE ONLY.
 2. WINDING PROTECTION-INHERENTLY LIMITING

CERTIFICATION:UL/CUL FILE NO E87824

ALL Q.C. .250 X .032



SCHMATIC

TYCO PART NUMBER
 8-1611470-4

THIS DRAWING IS A CONTROLLED DOCUMENT.		DWN K.H.	29JUN04	Tyco Electronics Corporation Harrisburg, PA 17105-3608			
DIMENSIONS: INCHES		CHK	-				
TOLERANCES UNLESS OTHERWISE SPECIFIED:		APVD DH	29JUN04	TRANSFORMER OUTLINE P.U. STOCK			
0 PLC ± - 1 PLC ± - 2 PLC ± .010 3 PLC ± .005 4 PLC ± - ANGLES ± -		PRODUCT SPEC	-				
MATERIAL		APPLICATION SPEC	-	SIZE	CAGE CODE	DRAWING NO	RESTRICTED TO
FINISH		WEIGHT	-	A3	00779	C=4000-02C02BB999	
CUSTOMER DRAWING				SCALE	NTS	SHEET	1 OF 1
				REV	0		