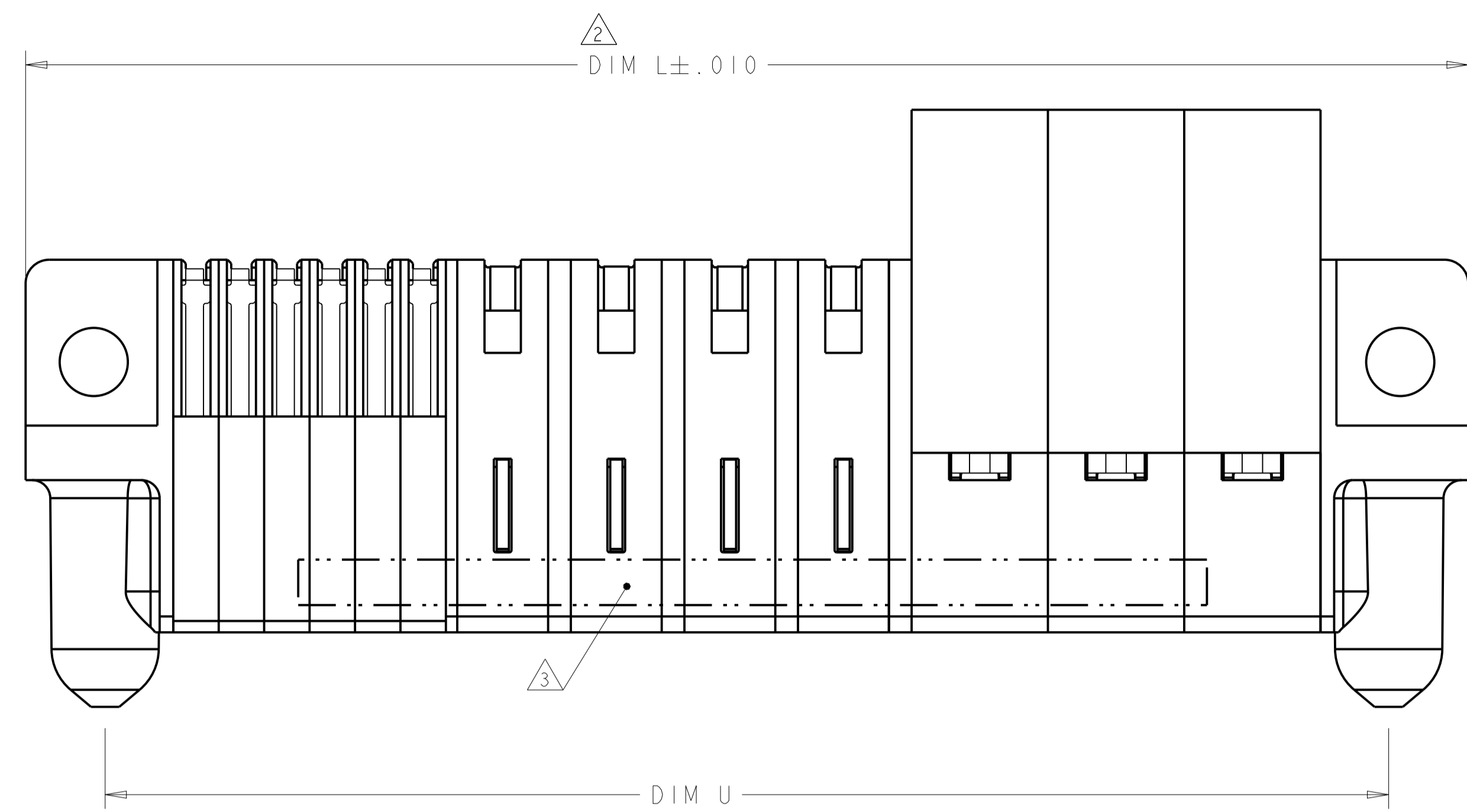
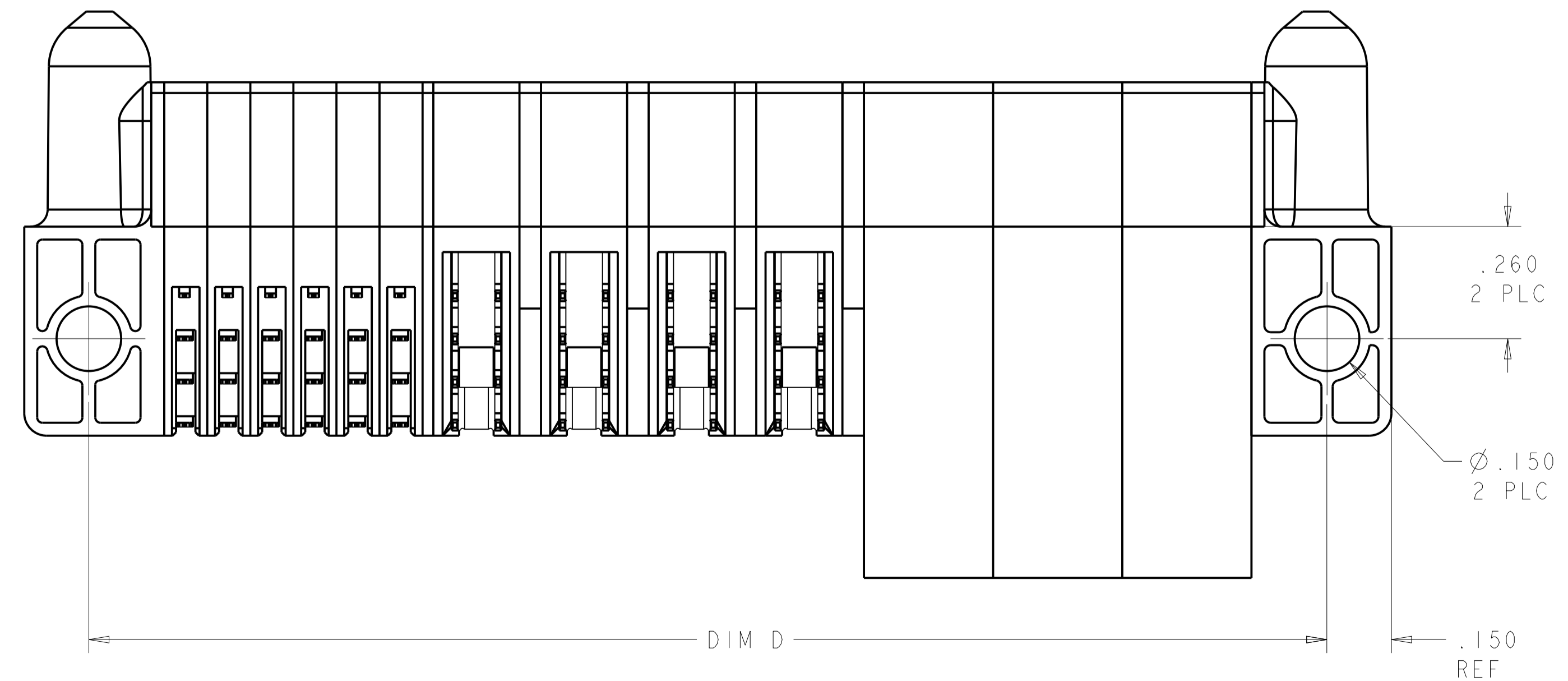
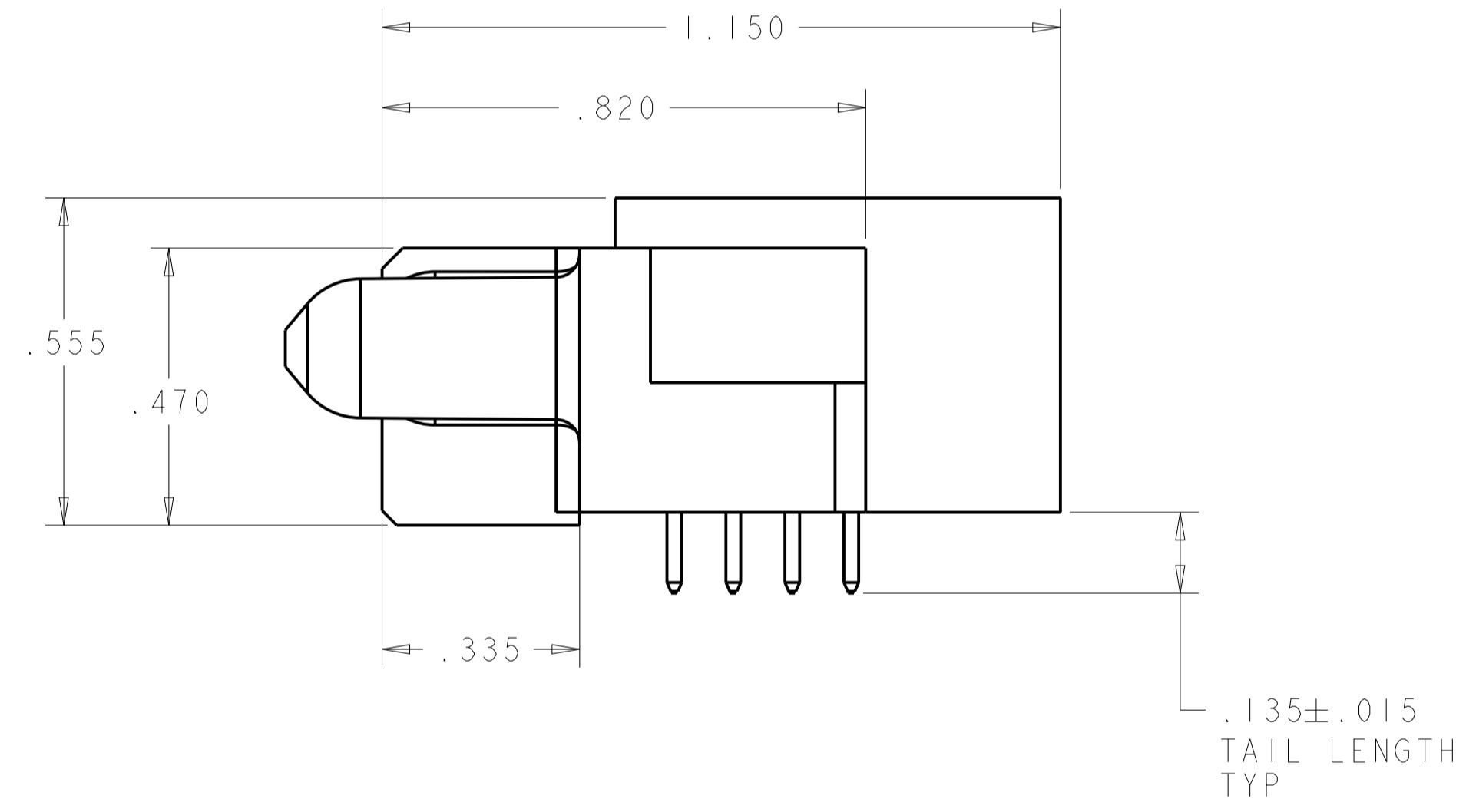
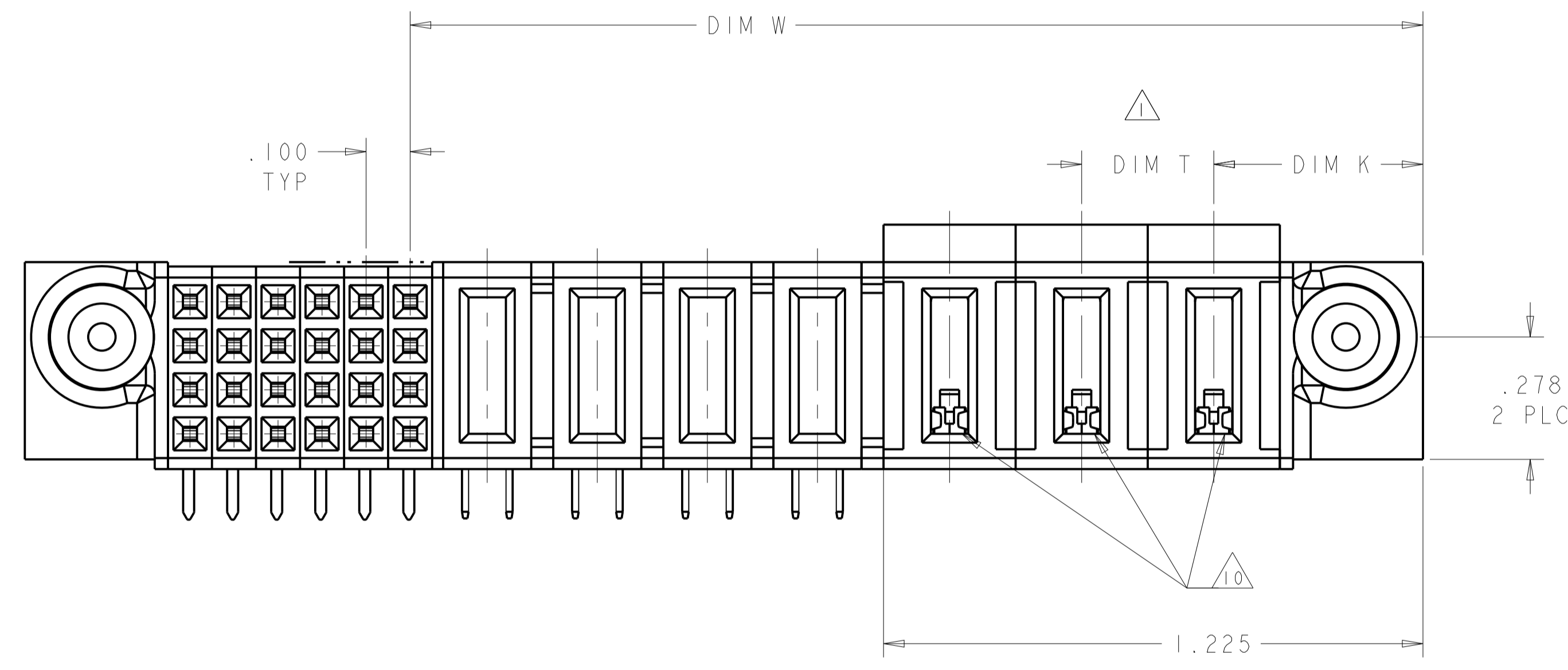


LOC		DIST		REVISIONS			
ES	00	P	LTM	DESCRIPTION	DATE	DWN	APVD
		C6		ADDED NEW DASH NUMBER -7	29JAN2014	CZ	SZ



- ① DIMENSION IS CENTERLINE SPACING OF POWER MODULES ON RIGHT SIDE OF HOUSING.
- ② THE MAXIMUM OVERALL LENGTH OF A PART IS 8.00.
- ③ "AMP", PART NUMBER AND DATE CODE TO BE MARKED IN AREA SHOWN. PARTS UNDER 2.00 LONG MAY BE MARKED ON BOTH SIDES.
- ④ MATERIAL: HOUSING - GLASS FILLED HIGH TEMP THERMO PLASTIC, UL94 V-O.
 SIGNAL CONTACT - HIGH CONDUCTIVITY COPPER ALLOY
 POWER CONTACT - HIGH CONDUCTIVITY COPPER ALLOY
- ⑤ CONTACT PLATING: NOBLE METAL PLATING ON CONTACT FUNCTIONAL AREA OF POWER AND SIGNAL CONTACTS
- ⑥ MECHANICAL CONNECTOR KEEP OUT ZONE.
- ⑦ DATUM AND BASIC DIMENSIONS ESTABLISHED BY CUSTOMER.
- ⑧ PCB - ALL HOLE DIAMETERS ARE FINISHED HOLE SIZES
- ⑨ PCB - .0453±.0010 DRILLED HOLES PLATED WITH .0003 MIN Sn OVER .001 TO .003 Cu PLATING TO ACHIEVE A .040 DIAMETER HOLE
- ⑩ A/C POWER CABLE CONTACT LOADED IN THESE CAVITIES.
- ⑪ VARIABLE DIMENSION SHOW ON VIEW.



DIM R	DIM S	DIM T	DIM W	DIM U	DIM D	DIM L	DIM K	DESCRIPTION	PART NUMBER
② 2.775	① .250	.300	1.900	4.125	4.175	4.475	.475	5ACP + 32S + 6P	6450378-7
-	-	① .250	2.300	2.825	2.875	3.175	.475	3ACP + 4P + 24S	6450378-6
② 2.775	① .250	.300	1.900	4.125	4.175	4.475	.475	5ACP + 32S + 6P	6450378-5
-	-	.300	1.275	1.600	1.650	1.950	.475	3ACP + 16S	6450378-4
-	-	① .250	2.675	3.225	3.275	3.575	.525	3ACP + 6P + 24S	6450378-3
-	-	① .250	2.300	2.825	2.875	3.175	.475	3ACP + 4P + 24S	6450378-1

THIS DRAWING IS A CONTROLLED DOCUMENT. DWN: D. ZHU 26JUN2007
 CHK: S. ZHAO 26JUN2007
 APVD: S. YAO

DIMENSIONS: INCHES. TOLERANCES UNLESS OTHERWISE SPECIFIED:
 0 PLC ±.01
 1 PLC ±.01
 2 PLC ±.01
 3 PLC ±.005
 4 PLC ±.0020
 ANGLES ±.020

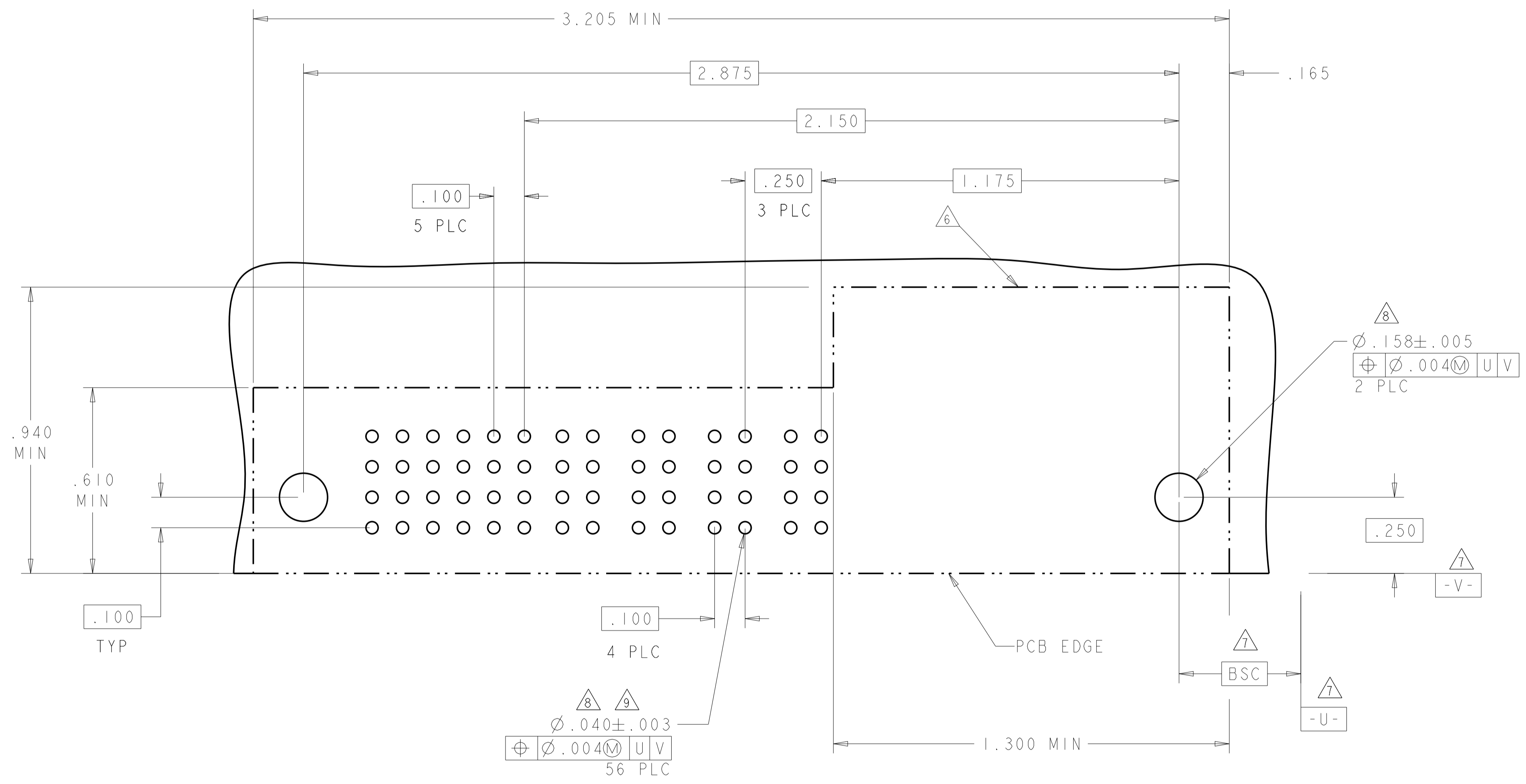
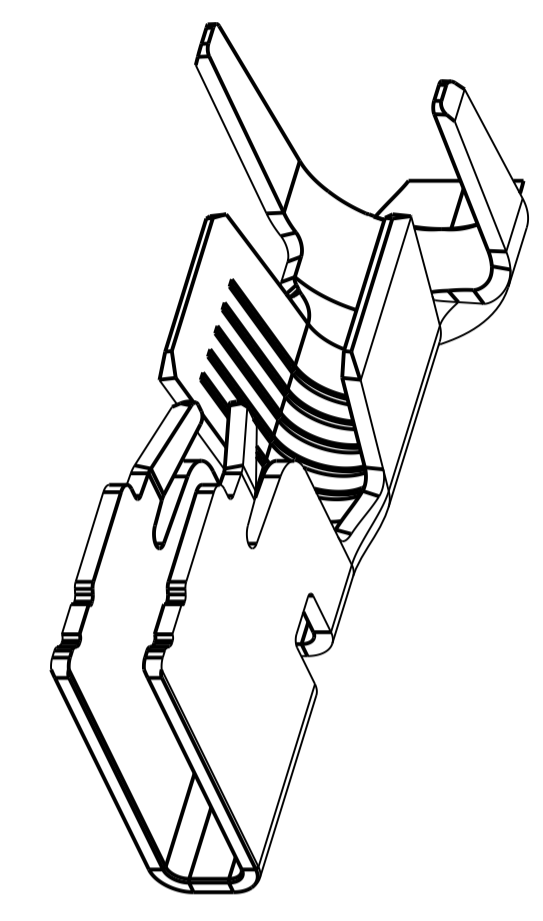
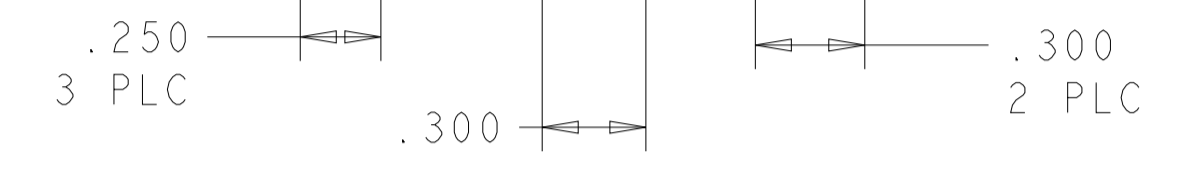
MATERIAL: ④ FINISH: ⑤

THIS DRAWING IS A CONTROLLED DOCUMENT. DWN: D. ZHU 26JUN2007
 CHK: S. ZHAO 26JUN2007
 APVD: S. YAO

NAME: RIGHT ANGLE RECEPTACLE ASSEMBLY A/C PASS THRU W/GUIDES MULTI-BEAM XL
 PRODUCT SPEC: 108-1973
 APPLICATION SPEC: 114-13038
 WEIGHT: -
 SIZE: CAGE CODE DRAWING NO: A100779
 SCALE: 4:1 SHEET 1 OF 5 REV: C6

LOC	DIST	REVISIONS			
		REV	DATE	BY	APPV
ES	00	-	-	-	-
		SEE SHEET 1			

PART NUMBER	ROWS	SIGNAL						POWER						
		6	5	4	3	2	1	P7	P6	P5	P4	P3	P2	P1
6450378-1	D C B A	H	H	H	H	H	H	RM	RM	RM	RM	MFBL	STD	STD
		G	G	G	G	G	G							
		F	F	F	F	F	F							
		E	E	E	E	E	E							



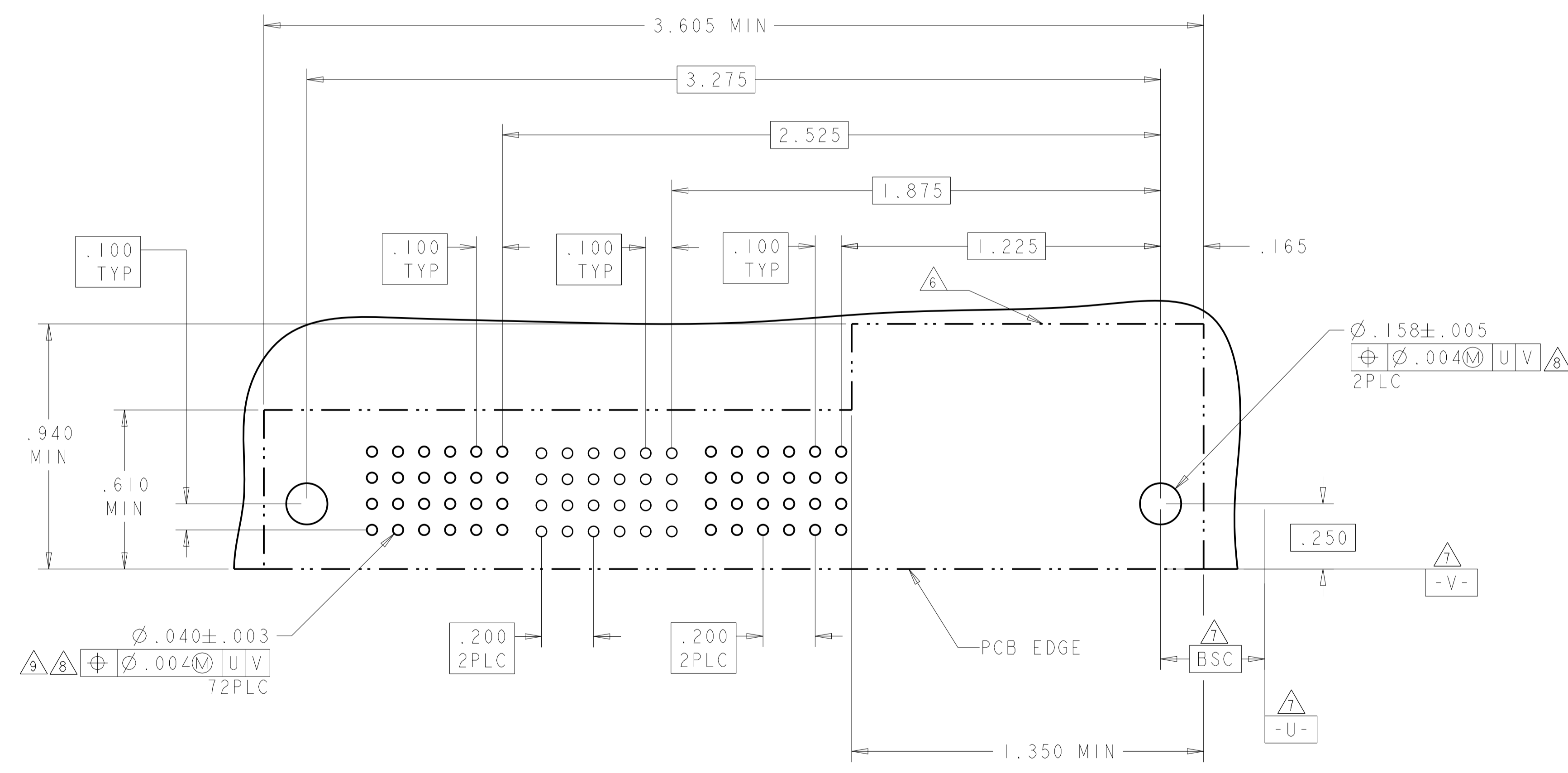
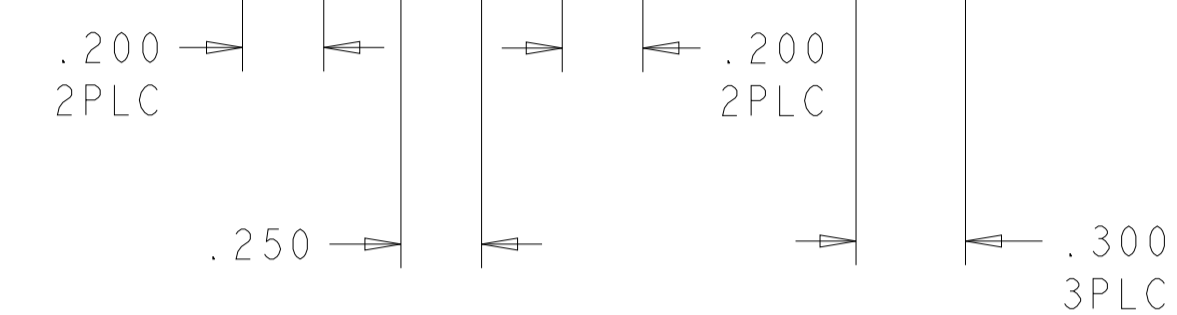
CODE	DESCRIPTION	ROW
RA	MFBL POWER CONTACT, .135 SOLDER TAIL	-
RM	STD POWER CONTACT, .135 SOLDER TAIL	-
H	SIGNAL CONTACT, .135 SOLDER TAIL	D
G	SIGNAL CONTACT, .135 SOLDER TAIL	C
F	SIGNAL CONTACT, .135 SOLDER TAIL	B
E	SIGNAL CONTACT, .135 SOLDER TAIL	A

THIS DRAWING IS A CONTROLLED DOCUMENT.		OWN: D. ZHU 26 JUN 2007	
DIMENSIONS: INCHES		CHK: S. ZHAO 26 JUN 2007	
TOLERANCES UNLESS OTHERWISE SPECIFIED:		APV: S. YAO	NAME: RIGHT ANGLE RECEPTACLE ASSEMBLY A/C PASS THRU W/GUIDES MULTI-BEAM XL
0 PLC ±.01		PRODUCT SPEC: 108-1973	SIZE: CAGE CODE DRAWING NO. RESTRICTED TO
2 PLC ±.01		APPLICATION SPEC: 114-13038	A100779C=6450378
3 PLC ±.005		WEIGHT: -	SCALE: 4:1 SHEET 2 OF 5 REV: C6
4 PLC ±.0020		FINISH: -	CUSTOMER DRAWING
ANGLES ±.020			

LOC	DIST	REV	DATE	BY	APPV
ES	00				

REVISIONS					
REV	DATE	BY	APPV	DESCRIPTION	
-	-	-	-	SEE SHEET 1	

PART NUMBER	ROWS	SIGNAL						POWER								
		6	5	4	3	2	1	P9	P8	P7	P6	P5	P4	P3	P2	P1
6450378-3	D C B A	H	H	H	H	H	H	RM	RM	RM	RM	RM	RM	MFBL	STD	STD
		G	G	G	G	G	G									
		F	F	F	F	F	F									
3ACP + 6P + 24S																



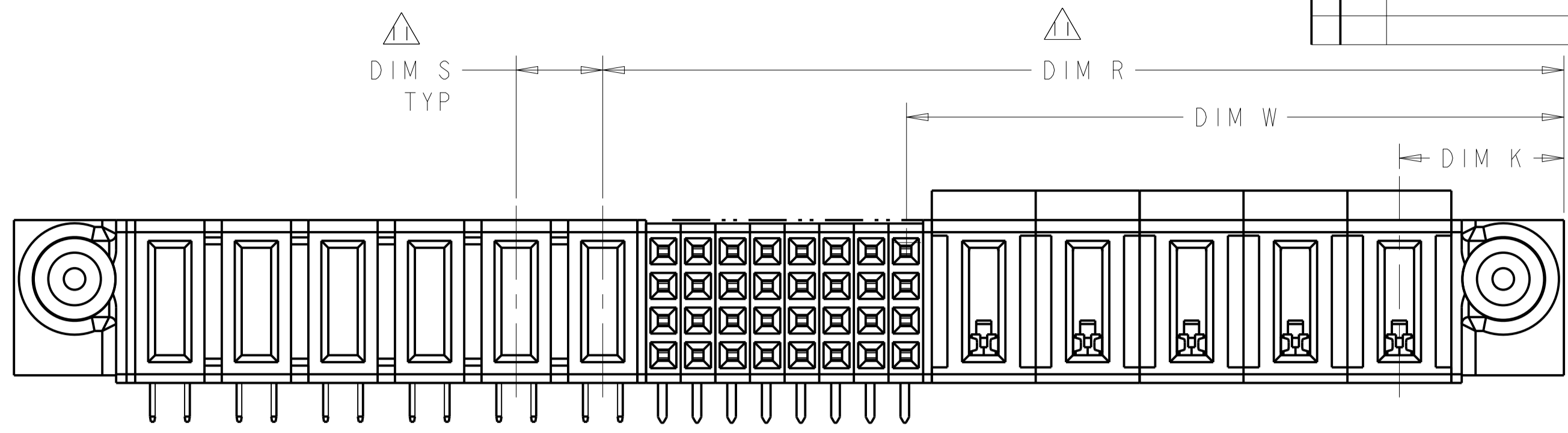
THIS DRAWING IS A CONTROLLED DOCUMENT. DWN: D.ZHU 26JUN2007
 CHK: S.ZHAO 26JUN2007

DIMENSIONS:	TOLERANCES UNLESS OTHERWISE SPECIFIED:	NAME
INCHES	0 PLC ± 1 PLC ±.01 2 PLC ±.01 3 PLC ±.005 4 PLC ±.002 ANGLES ±.2°	RIGHT ANGLE RECEPTACLE ASSEMBLY A/C PASS THRU W/GUIDES MULTI-BEAM XL
MATERIAL	FINISH	SIZE CAGE CODE DRAWING NO. RESTRICTED TO
		A1 00779 C=6450378
CUSTOMER DRAWING		SCALE 4:1 SHEET 3 OF 5 REV C6

TE Connectivity

LOC	DIST	REV	DATE	BY	APPV
ES	00				

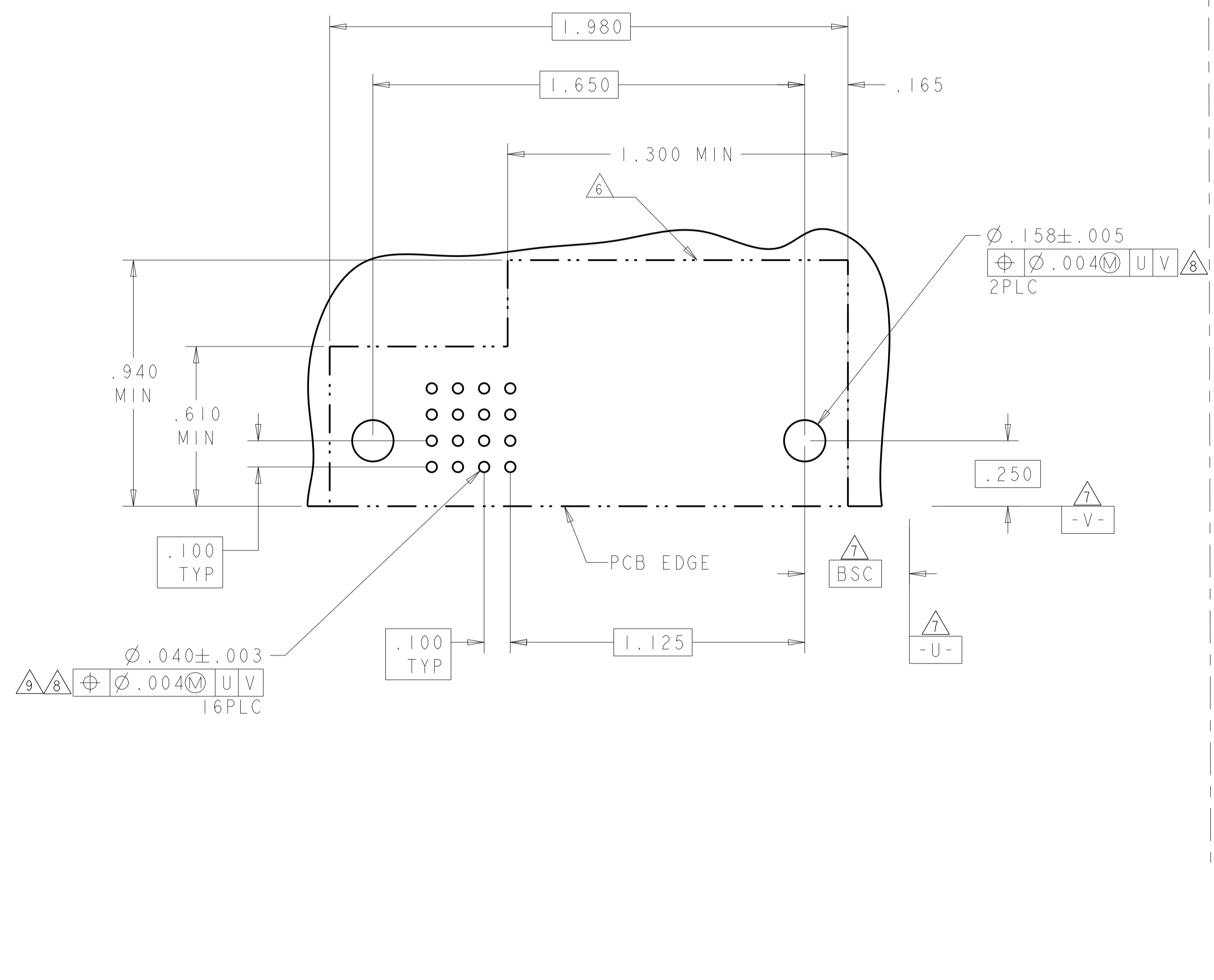
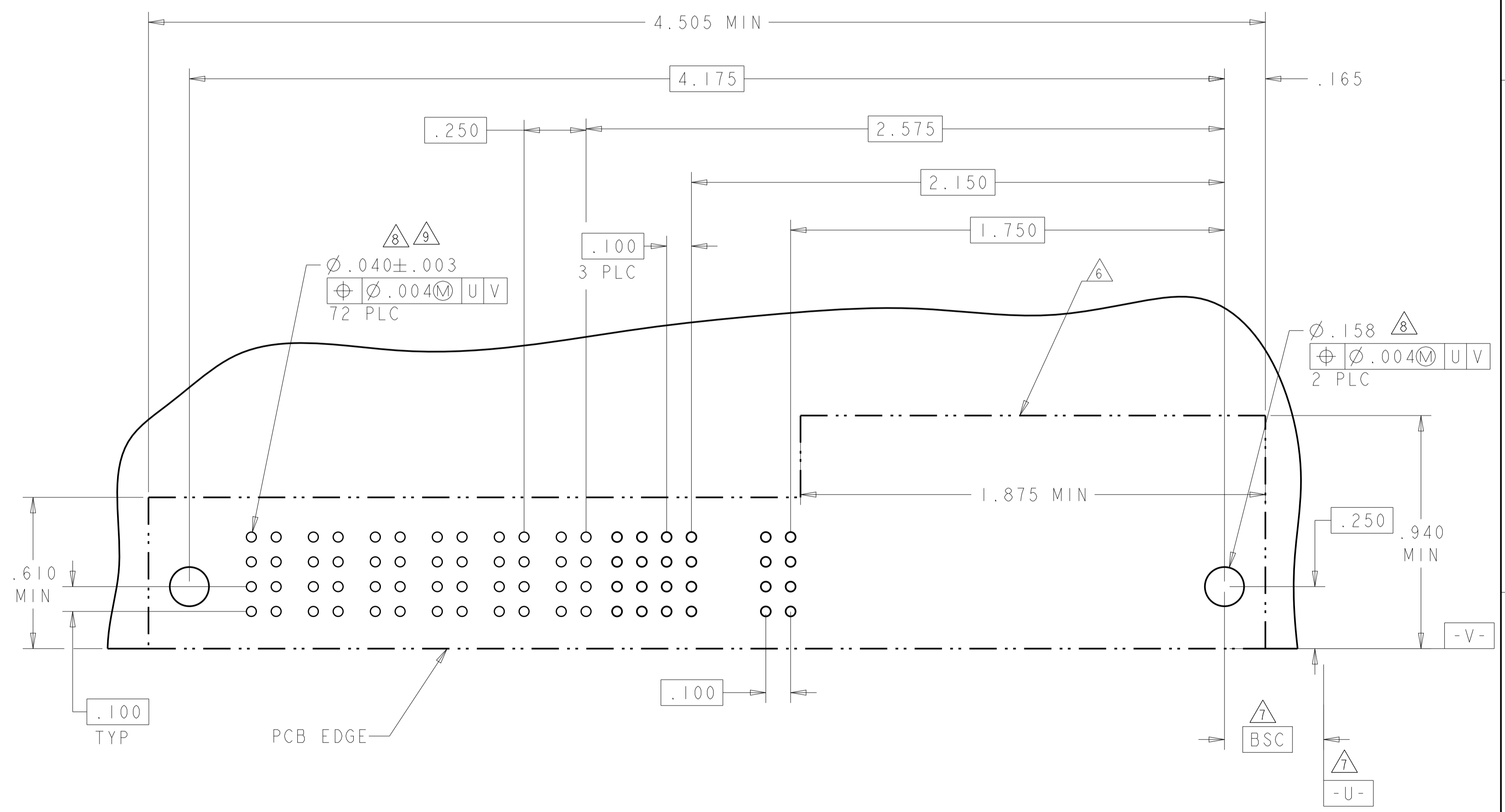
PART NUMBER	ROWS	SIGNAL				POWER		
		4	3	2	1	P3	P2	P1
6450378-4	D C B A	H	H	H	H	MFBL	STD	STD
		G	G	G	G			
		F	F	F	F			
		E	E	E	E			
3ACP + 16S								



B2

PART NUMBER	ROWS	POWER						SIGNAL					POWER						
		P11	P10	P9	P8	P7	P6	8	7	6	5	4	3	2	1	P5	P4	P3	P2
6450378-5	D C B A	RM	RM	RM	RM	RM	RM	H	H	H	H	STD	STD	STD	STD	STD			
								G	G	G	G						G	G	
								F	F	F	F						F	F	
								E	E	E	E						E	E	
5ACP + 32S + 6P																			

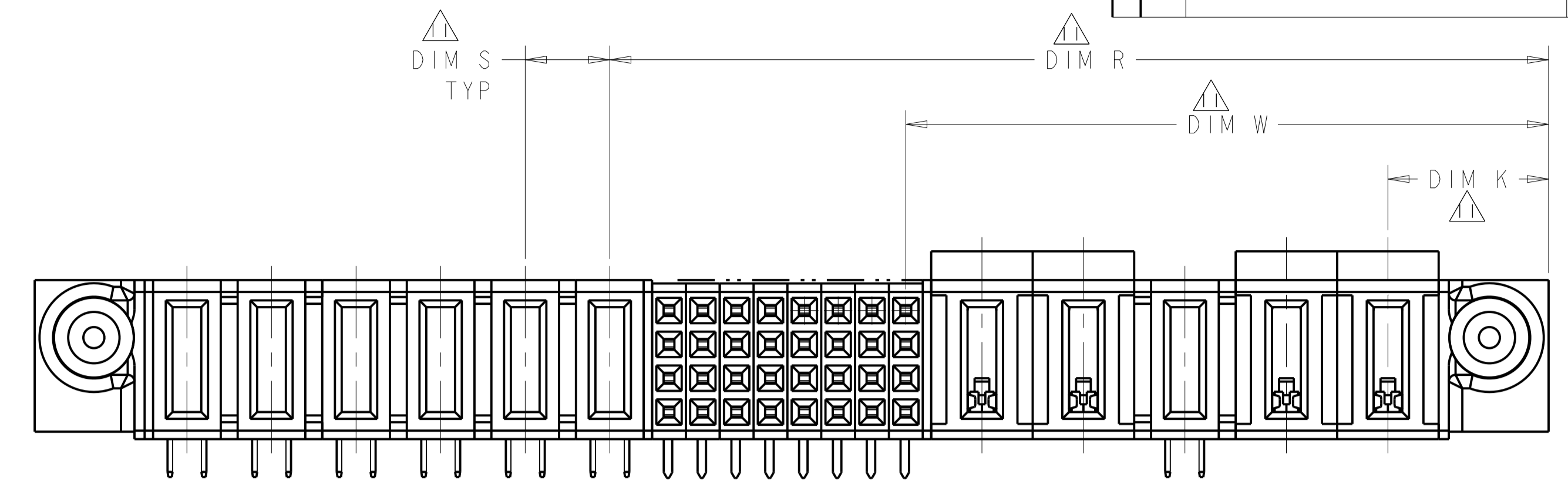
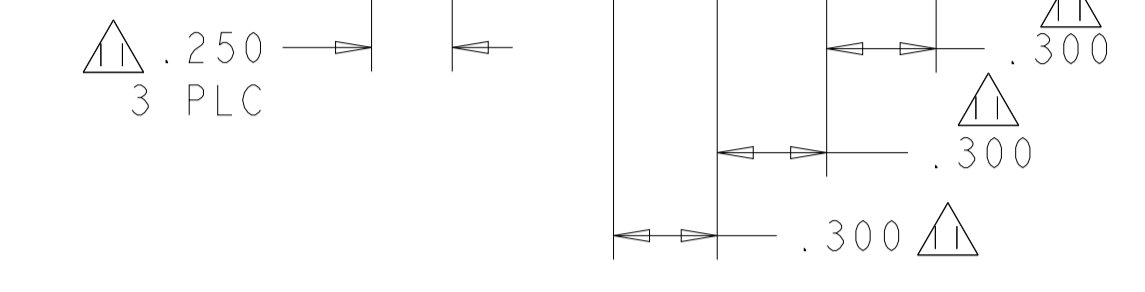
NO CONTACTS LOADED



THIS DRAWING IS A CONTROLLED DOCUMENT.		OWN: D. ZHU 26 JUN 2007	 TE Connectivity
DIMENSIONS: INCHES		CHK: S. ZHAO 26 JUN 2007	
TOLERANCES UNLESS OTHERWISE SPECIFIED:		APVD: S. YAO	NAME: RIGHT ANGLE RECEPTACLE ASSEMBLY A/C PASS THRU W/GUIDES MULTI-BEAM XL
0 PLC ±.01	1 PLC ±.01	PRODUCT SPEC 108-1973	SIZE: CAGE CODE DRAWING NO. A100779C=6450378
2 PLC ±.01	3 PLC ±.005	APPLICATION SPEC 114-13038	RESTRICTED TO
4 PLC ±.002	ANGLES ±.020	WEIGHT	SCALE 4:1 SHEET 4 OF 5 REV C6
MATERIAL	FINISH	CUSTOMER DRAWING	

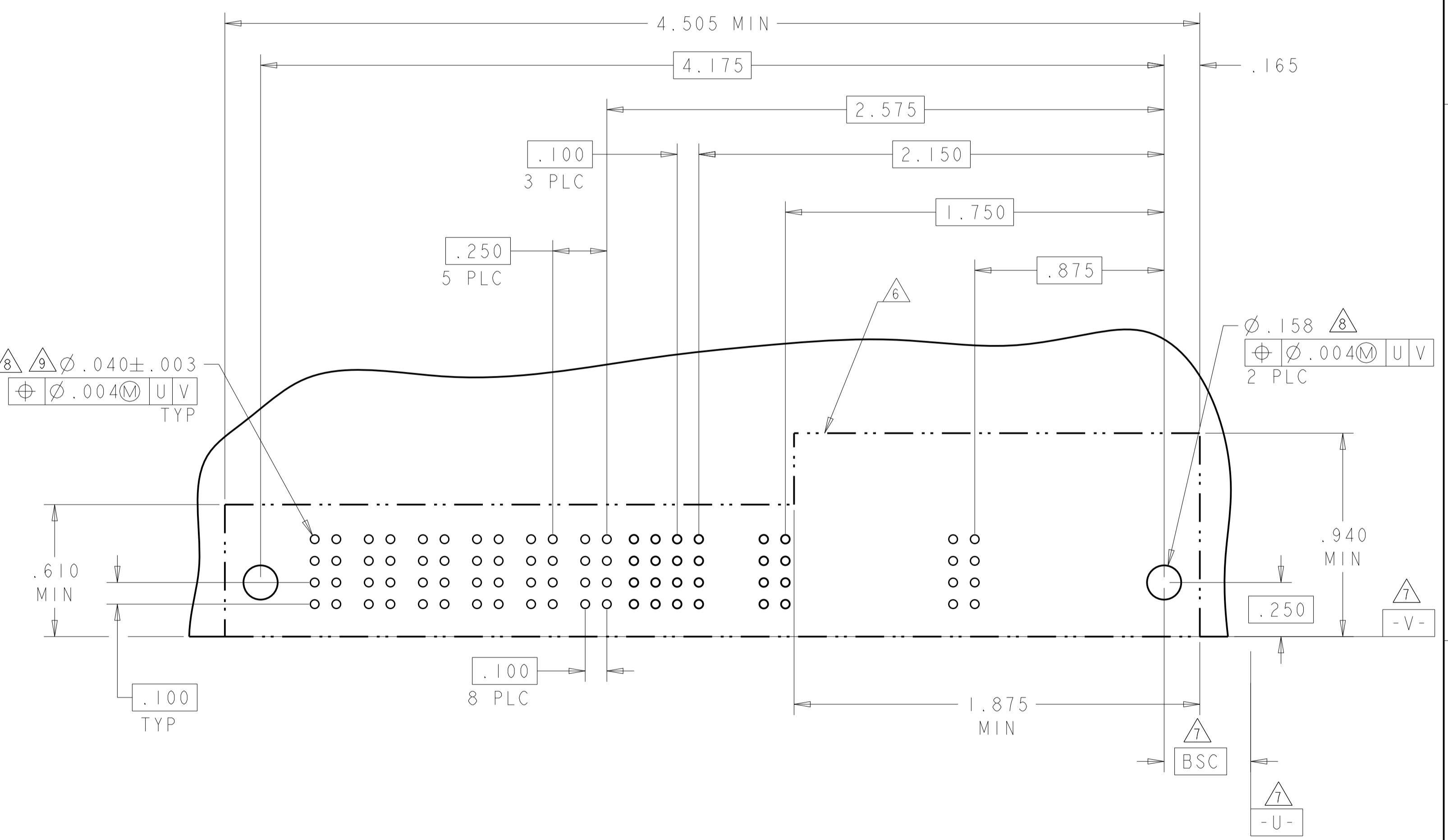
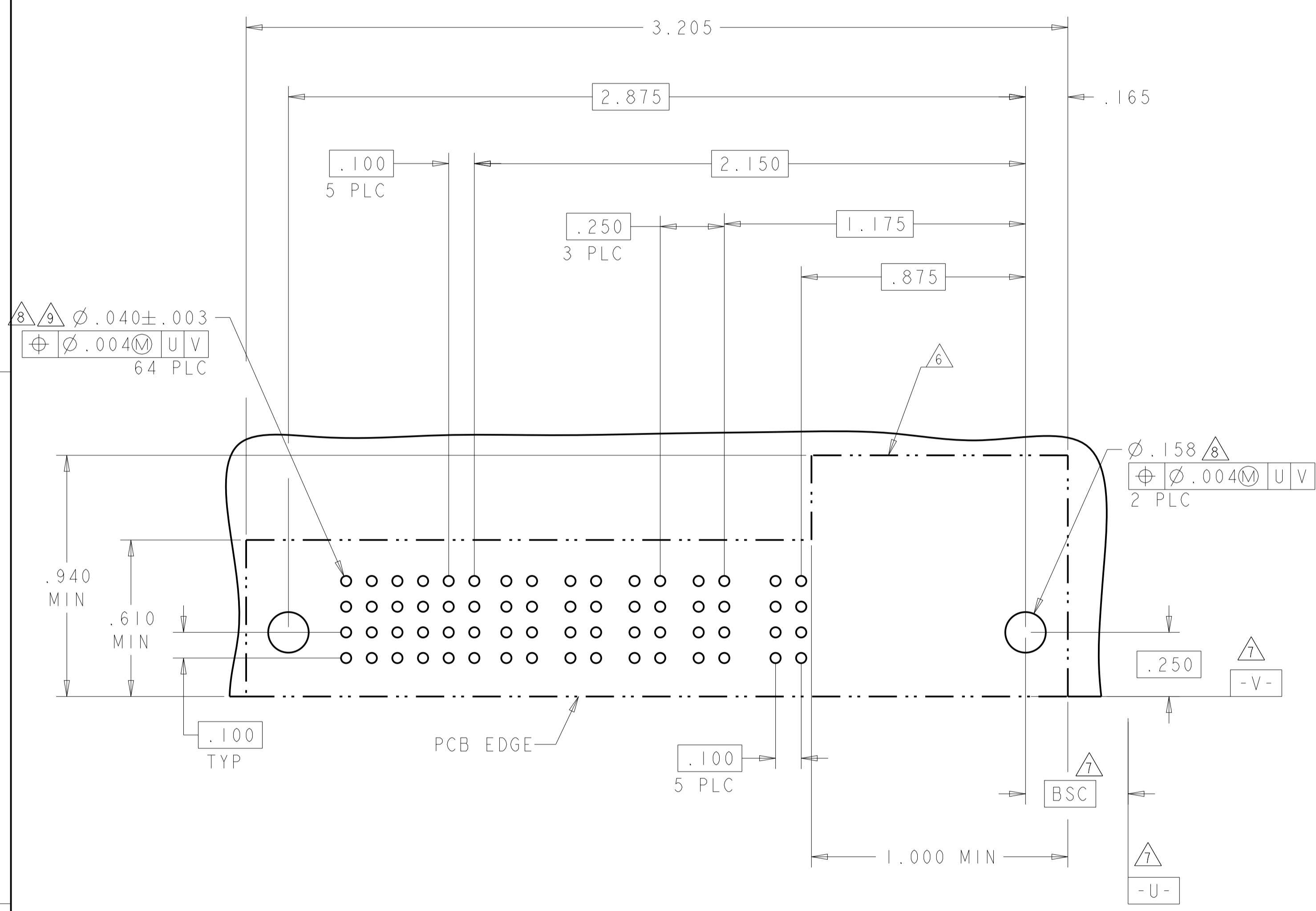
LOC	DIST	REV	DATE	BY	APPV
ES	00				

PART NUMBER	ROWS	SIGNAL						POWER						
		6	5	4	3	2	1	P7	P6	P5	P4	P3	P2	P1
6450378-6	D C B A	H	H	H	H	H	H	RM	RM	RM	RM	RA	STD	STD
		G	G	G	G	G	G							
		F	F	F	F	F	F							
		E	E	E	E	E	E							



PART NUMBER	ROWS	POWER						SIGNAL						POWER							
		PI1	PI0	P9	P8	P7	P6	8	7	6	5	4	3	2	1	P5	P4	P3	P2	P1	
6450378-7	D C B A	RM	RM	RM	RM	RM	RM	H	H	H	H			H	H	STD	STD	RA	STD	STD	
		G	G	G	G	G	G							G	G						
		F	F	F	F	F	F								F	F					
		E	E	E	E	E	E								E	E					

NO CONTACTS LOADED



THIS DRAWING IS A CONTROLLED DOCUMENT.		OWN: D. ZHU 26 JUN 2007	 TE Connectivity
DIMENSIONS: INCHES		CHK: S. ZHAO 26 JUN 2007	
TOLERANCES UNLESS OTHERWISE SPECIFIED:		APVD: S. YAO	NAME: RIGHT ANGLE RECEPTACLE ASSEMBLY A/C PASS THRU W/GUIDES MULTI-BEAM XL
0 PLC ±.01		PRODUCT SPEC: 108-1973	SIZE: A1
1 PLC ±.01		APPLICATION SPEC: 114-13038	CAGE CODE: 6450378
2 PLC ±.01		WEIGHT: -	RESTRICTED TO: -
3 PLC ±.005		CUSTOMER DRAWING	SCALE: 4:1
4 PLC ±.0020			SHEET 5 OF 5
ANGLES ±.020			REV: C6