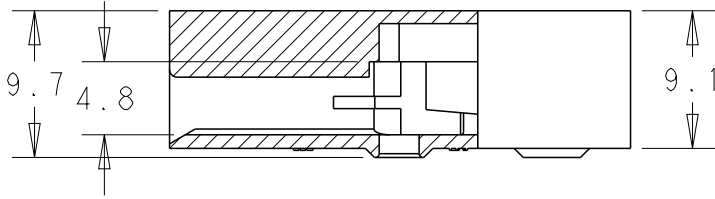
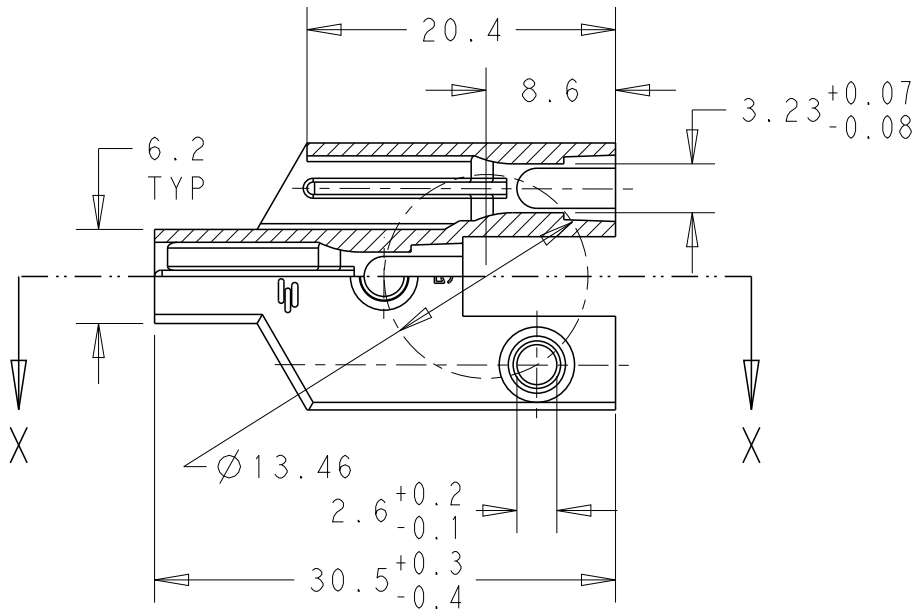
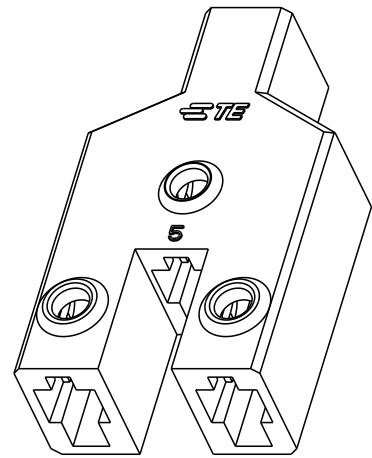


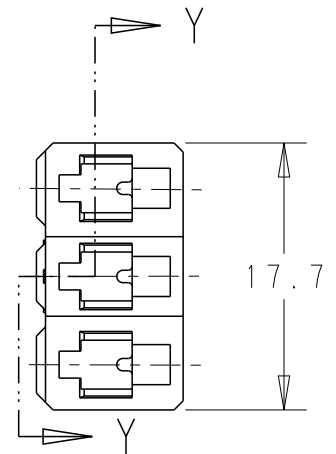
LOC	DIST	REVISIONS					
CN	-	P	LTR	DESCRIPTION	DATE	DWN	APVD
		A2		CHANGE THE DIMENSION 30.5+/-0.3 TO 30.5+0.3/-0.4	11FEB2014	W.W	YH.M



SECTION X - X



SECTION Y - Y



RELEASED FOR PUBLICATION


ALL RIGHTS RESERVED.

BY TE CONNECTIVITY

THIS DRAWING IS UNPUBLISHED.

© COPYRIGHT -

NATURAL	PA6 WITH GLASS FIBER	2232326-2
NATURAL	PBT	2232326-1
FINISH	MATERIAL	PART NUMBER

DIMENSIONS: mm	DWN WINTER WANG 25FEB2013	MATERIAL -	FINISH -
TOLERANCES UNLESS OTHERWISE SPECIFIED:	CHK JAIN LIU 01MAR2013	 TE Connectivity	
0 PLC ±-	APVD YUHONG MAO 01MAR2013		
1 PLC ±0.3	PRODUCT SPEC 108-2008	NAME CLUSTER BLOCK HSG 2.29 (.090) DIA	
2 PLC ±0.3	APPLICATION SPEC -	SIZE A4	CAGE CODE 00779
3 PLC ±-	WEIGHT -	DRAWING NO C-2232326	RESTRICTED TO -
4 PLC ±-		SCALE -	SHEET 1 OF 1
ANGLES ±-	Customer Drawing		REV A2