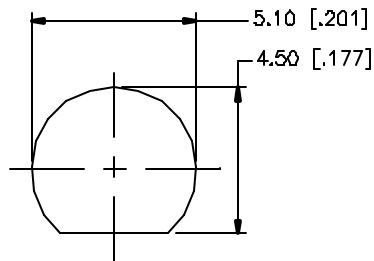
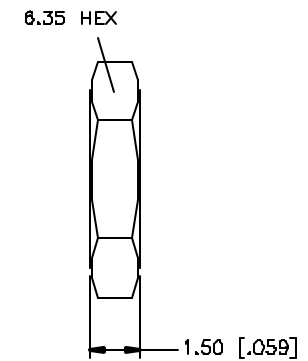
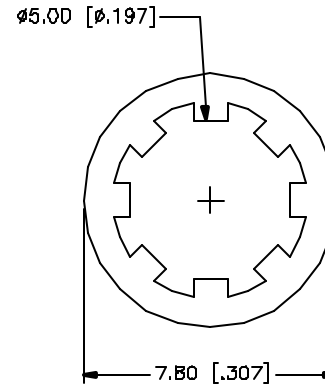
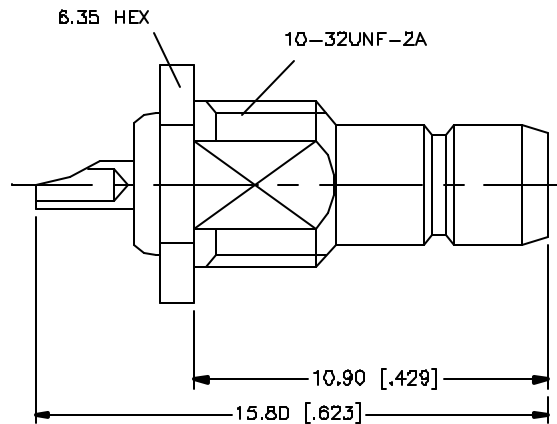


REV.	DATE	DESCRIPTION
NC	05/01/04	INITIAL RELEASE



RECOMMENDED
MOUNTING HOLE



					APPROVALS	DATE	Amphenol Connex					
B					DRAWN	G.R.S.	05/01/04	PART DESCRIPTION SMB BULKHEAD RECEPT. JACK				
7				CHECKED								
6				ISSUED								
5	HEX NUT	BRASS	NICKEL	1	SHEET	1 OF 1	PART NO. 142152					
4	LOCK WASHER	BRASS	NICKEL	1			DWG. NO. 142152.DWG					
3	CONTACT PIN	BRASS	GOLD	1			REV. NC	SIZE A	SCALE NA			
2	INSULATOR	TEFLON	NATURAL	1								
1	BODY	BRASS	NICKEL	1								
DESCRIPTION					MATERIAL		FINISH		QTY		<small>UNLESS OTHERWISE SPECIFIED DIMENSIONS ARE IN MILLIMETERS. DIMENSIONS IN [] ARE IN INCHES AND FOR CUSTOMER REFERENCE ONLY.</small> <small>UNLESS OTHERWISE SPECIFIED TOLERANCES FOR MILLIMETERS ARE:</small> 0.5 - 8mm ± 0.20mm 8 - 30mm ± 0.40mm 30 - 120mm ± 0.50mm <small>UNLESS OTHERWISE SPECIFIED TOLERANCES FOR INCHES ARE:</small> .020 - .315 = ± 0.007" .315 - 1.180 = ± 0.015" 1.180 - 4.724 = ± 0.020" DO NOT SCALE DRAWING	