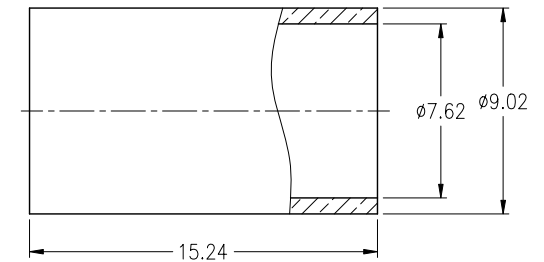
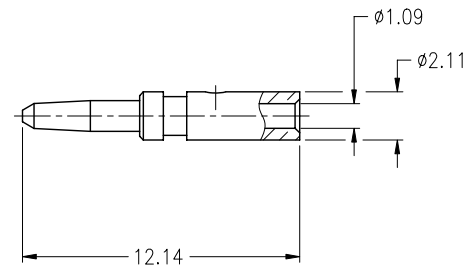
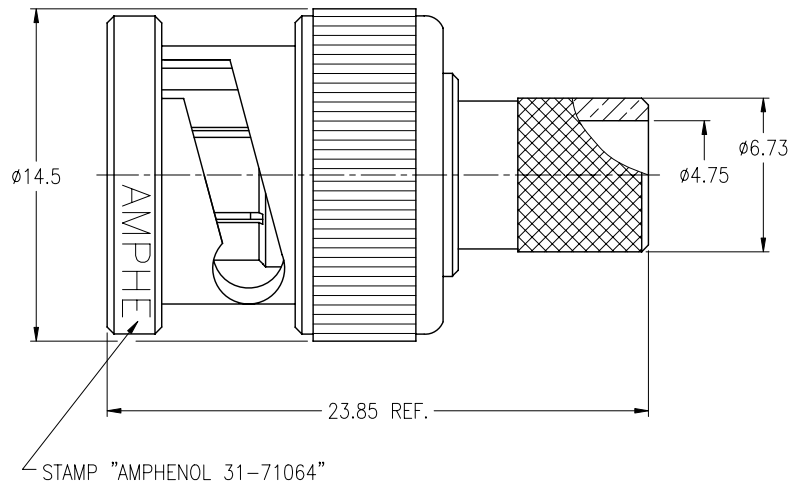
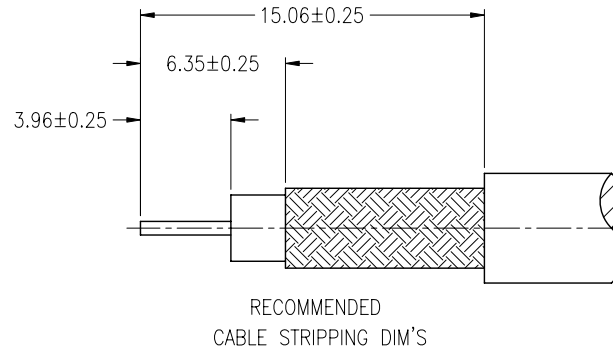


NOTES:

- MATERIALS AND FINISHES:  
 BODY - BRASS, NICKEL PLATING  
 CONTACT - BRASS, GOLD PLATING  
 INSULATOR - PTFE, NATURAL
- ELECTRICAL:  
 A. IMPEDANCE: 75 OHM  
 B. FREQUENCY RANGE: DC 0-4 GHz  
 C. DIELECTRIC WITHSTANDING VOLTAGE: 1500 VRMS, MIN.
- MECHANICAL:  
 A. DURABILITY: 500 CYCLES MIN.  
 B. TEMPERATURE RANGE: -65°C to +165°C
- SOLDER CONTACT TO CABLE.  
 WHEN CRIMPING CONTACT PIN TO CABLE, CRIMP WITH AMPHENOL TOOL 227-944 (M22520/5-01) AND DIE SET 227-1221-32, CAVITY 'B' (OR CTL-2, .068 HEX)
- WHEN CRIMPING FERRULE TO CABLE, CRIMP WITH AMPHENOL TOOL 277-944 (M22520/5-01) AND DIE SET 227-1221-32 CAVITY 'A' (OR CTTL-2, .324 HEX)
- USE WITH BELDEN 1694A, 1695A, 9114 AND 9248 CABLES

THIRD ANGLE PROJ.

| REVISIONS |                                 |           |       |      |  |
|-----------|---------------------------------|-----------|-------|------|--|
| REV       | DESCRIPTION                     | DATE      | ECO   | APPR |  |
| B         | SEE SHEET 1                     | 27-Jul-05 | --    | SH   |  |
| B1        | SEE SHEET 1                     | 16-Aug-05 | --    | AW   |  |
| C         | SEE SHEET 1                     | 27-Feb-08 | --    | AW   |  |
| D         | SEE SHEET 1                     | 23-Mar-10 | 47967 | SH   |  |
| E         | NOTE 4 WAS CHANGED\RD-10121301F | 27-Dec-10 | 48342 | SH   |  |



**CUSTOMER OUTLINE DRAWING**  
ALL OTHER SHEETS ARE FOR INTERNAL USE ONLY

|  |   |                  |                          |  |                   |               |  |          |                      |
|--|---|------------------|--------------------------|--|-------------------|---------------|--|----------|----------------------|
| UNLESS OTHERWISE SPECIFIED, DIMENSIONS ARE IN METRIC AND TOLERANCES ARE:<br><0.5mm ±0.05mm    0.5 - 6mm ±0.1mm    6 - 30mm ±0.2mm    30 - 120mm ±0.3mm    ANGLES ±1° | MATERIAL  | DRAWN<br>F.WANG  | DATE<br>27-Dec-10        | TITLE<br>BNC PLUG (75 OHM)<br>FOR RG 6 TYPE CABLE<br>(Ø7.49 MAX) SINGLE SHIELD |                   |               | Amphenol RF<br>Danbury CT USA, Tainan Taiwan, Shenzhen China<br>www.amphenolrf.com |          |                      |
|  | REFERENCE   | ENGINEER<br>S.LI | DATE<br>27-Dec-10        | APPROVED<br>S.HSIEH  | DATE<br>27-Dec-10 | SCALE: 3/1    | SHEET 2 OF 2   |          | DRAWING NO. 31-71064 |
|  |   | FINISH           | F:\DWG\CNPD\31\71064-ESZ |  |                   | DWG SIZE<br>B | CODE ID<br>74868   | REV<br>E | ITEM NO. 31-71064    |
|  | NOTICE - These drawings, specifications, or other data (1) are, and remain the property of Amphenol Corp. (2) must be returned upon request; and (3) are confidential and not to be disclosed to any person other than those to whom they are given by Amphenol Corp. The furnishing of these drawings, specifications, or other data by Amphenol Corp., or to any other person to anyone for any purpose is not to be regarded by implication or otherwise in any manner licensing, granting rights or permitting such holder or any other person to manufacture, use or sell any product, process or design, patented or otherwise, that may in any way be related to or disclosed by said drawings, specifications, or other data. |                  |                          |  |                   |               |  |          |                      |