

4

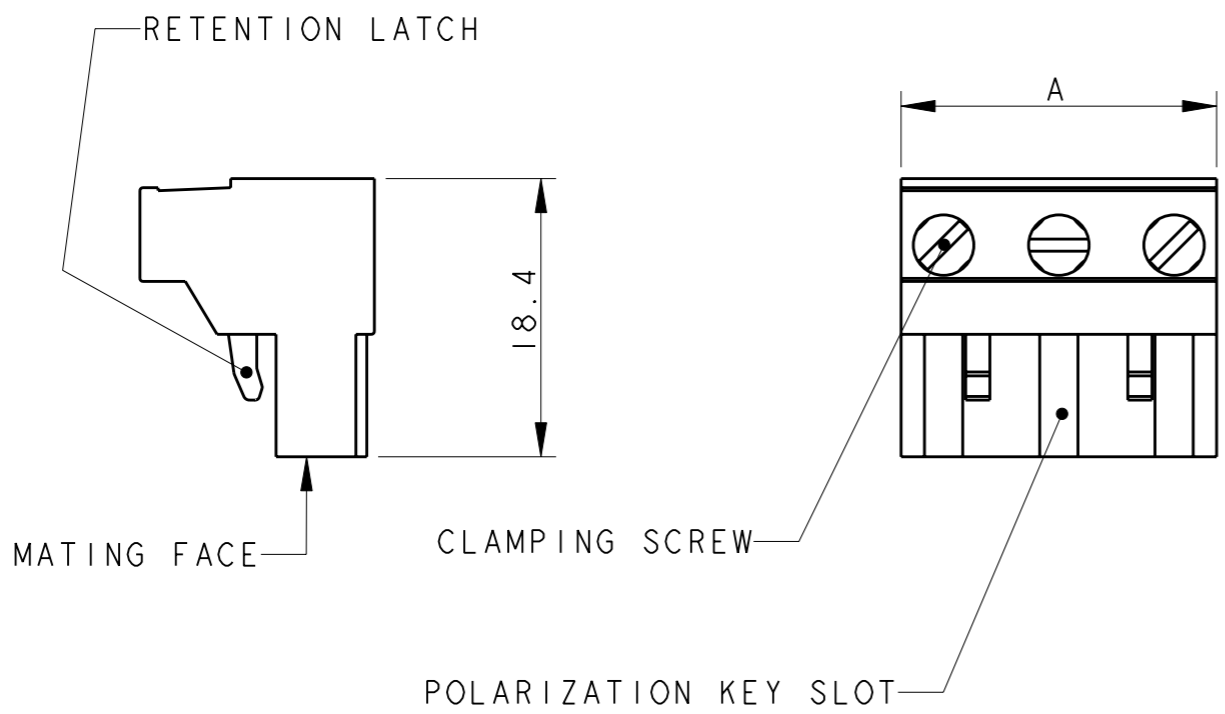
3

2

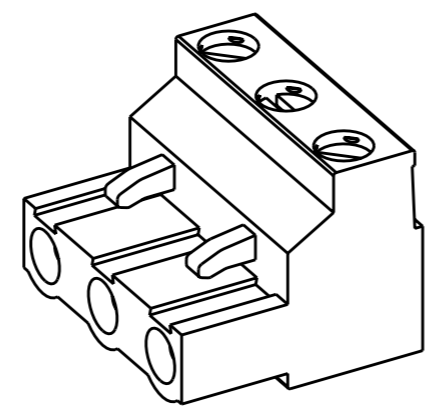
1

THIS DRAWING IS UNPUBLISHED. RELEASED FOR PUBLICATION 20
 © COPYRIGHT 20 BY TYCO ELECTRONICS CORPORATION. ALL RIGHTS RESERVED.

LOC	DIST	REVISIONS			
P	LTR	DESCRIPTION	DATE	DWN	APVD
	I	-	14JAN2008	SS	CR
	A	REVISED PER ECO-08-001481	18JAN2008	SS	CR



- MATERIALS AND FINISH
 HOUSING: PA 6-6, UL 94-V0.
 COLOURS: BLACK, RAL 7032.
 CLAMP: BRASS, NICKEL PLATED.
 DOUBLE SIDE CONTACT SPRING: PHOSPHOR BRONZE, TIN PLATED.
 CLAMPING SCREW: M3, BRASS, NICKEL PLATED.
 - WIRE SIZE RANGE: 12-30 AWG
 - RECOGNIZED UNDER THE COMPONENT PROGRAM OF UNDERWRITERS LABORATORIES INC. FILE N° E60677.
 - IMQ CERTIFICATE WITH SURVEILLANCE IN CONFORMITY WITH IEC 998-1/998-2-1.
- △ 5 NOT CUMULATIVE TOLERANCE.



65.5	9	1986339-9
DIM. A	N° OF POS.	PART NUMBER

<small>THIS DRAWING IS A CONTROLLED DOCUMENT FOR TYCO ELECTRONICS CORPORATION IT IS SUBJECT TO CHANGE AND THE CONTROLLING ENGINEERING ORGANIZATION SHOULD BE CONTACTED FOR THE LATEST REVISION.</small>		DWN	S. SCHLEGEL	14JAN2008	Tyco Electronics Harrisburg, PA 17105-3608
DIMENSIONS: mm		CHK	C RICHARD	14JAN2008	
		APVD	C RICHARD	14JAN2008	
TOLERANCES UNLESS OTHERWISE SPECIFIED: 0 PLC ±- 1 PLC ±0.2 2 PLC ±0.20 3 PLC ±0.001 4 PLC ±0.0001 ANGLES ±2		PRODUCT SPEC		NAME	
MATERIAL -		FINISH -		TERMINAL BLOCK PLUG, 7.5mm PITCH	
		WEIGHT -		SIZE	CAGE CODE
		CUSTOMER DRAWING		A3	00779
		SCALE		DRAWING NO	RESTRICTED TO
		2:1		C-1986339	-
		SHEET		OF	REV
		1		1	A