



Is Now Part of



**ON Semiconductor®**

To learn more about ON Semiconductor, please visit our website at  
[www.onsemi.com](http://www.onsemi.com)

ON Semiconductor and the ON Semiconductor logo are trademarks of Semiconductor Components Industries, LLC dba ON Semiconductor or its subsidiaries in the United States and/or other countries. ON Semiconductor owns the rights to a number of patents, trademarks, copyrights, trade secrets, and other intellectual property. A listing of ON Semiconductor's product/patent coverage may be accessed at [www.onsemi.com/site/pdf/Patent-Marking.pdf](http://www.onsemi.com/site/pdf/Patent-Marking.pdf). ON Semiconductor reserves the right to make changes without further notice to any products herein. ON Semiconductor makes no warranty, representation or guarantee regarding the suitability of its products for any particular purpose, nor does ON Semiconductor assume any liability arising out of the application or use of any product or circuit, and specifically disclaims any and all liability, including without limitation special, consequential or incidental damages. Buyer is responsible for its products and applications using ON Semiconductor products, including compliance with all laws, regulations and safety requirements or standards, regardless of any support or applications information provided by ON Semiconductor. "Typical" parameters which may be provided in ON Semiconductor data sheets and/or specifications can and do vary in different applications and actual performance may vary over time. All operating parameters, including "Typicals" must be validated for each customer application by customer's technical experts. ON Semiconductor does not convey any license under its patent rights nor the rights of others. ON Semiconductor products are not designed, intended, or authorized for use as a critical component in life support systems or any FDA Class 3 medical devices or medical devices with a same or similar classification in a foreign jurisdiction or any devices intended for implantation in the human body. Should Buyer purchase or use ON Semiconductor products for any such unintended or unauthorized application, Buyer shall indemnify and hold ON Semiconductor and its officers, employees, subsidiaries, affiliates, and distributors harmless against all claims, costs, damages, and expenses, and reasonable attorney fees arising out of, directly or indirectly, any claim of personal injury or death associated with such unintended or unauthorized use, even if such claim alleges that ON Semiconductor was negligent regarding the design or manufacture of the part. ON Semiconductor is an Equal Opportunity/Affirmative Action Employer. This literature is subject to all applicable copyright laws and is not for resale in any manner.

# FAN6757— mWSaver® PWM Controller

## Features

- Single-Ended Topologies, such as Flyback and Forward Converters
- mWSaver® Technology
  - Achieves Low No-Load Power Consumption: <50 mW at 230 V<sub>AC</sub> (EMI Filter Loss Included)
  - Eliminates X Capacitor Discharge Resistor Loss with AX-CAP® Technology
  - Linearly Decreases Switching Frequency to 23 kHz
  - Burst Mode Operation at Light-Load Condition
  - 500 V High-Voltage JFET Startup Circuit to Eliminate Startup Resistor Loss
- Highly Integrated with Rich Features
  - Proprietary Frequency Hopping to Reduce EMI
  - High-Voltage Sampling to Detect Input Voltage
  - Peak-Current-Mode Control with Slope Compensation
  - Cycle-by-Cycle Current Limiting with Line Compensation
  - Leading-Edge Blanking (LEB)
  - Built-In 7 ms Soft-Start
- Advanced Protections
  - Brown-In/Brownout Recovery
  - Internal Overload / Open-Loop Protection (OLP)
  - V<sub>DD</sub> Under-Voltage Lockout (UVLO)
  - V<sub>DD</sub> Over-Voltage Protection (V<sub>DD</sub> OVP)
  - Over-Temperature Protection (OTP)
  - Current-Sense Short-Circuit Protection (SSCP)

## Description

The FAN6757 is a next-generation Green Mode PWM controller with innovative mWSaver® technology, which dramatically reduces standby and no-load power consumption, enabling conformance to worldwide Standby Mode efficiency guidelines.

An innovative AX-CAP® method minimizes losses in the EMI filter stage by eliminating X-cap discharge resistors while meeting IEC61010-1 safety requirements.

Protections ensure safe operation of the power system in various abnormal conditions. A proprietary frequency-hopping function decreases EMI emission. Built-in synchronized slope compensation allows more stable Peak-Current-Mode control over a wide range of input voltage and load conditions. The proprietary internal line compensation ensures constant output power limit over the entire universal line voltage range.

Requiring a minimum number of external components, FAN6757 provides a basic platform that is well suited for cost-effective flyback converter designs that require extremely low standby power consumption.

## Applications

Flyback power supplies that demand extremely low standby power consumption, such as:

- Adapters for Notebooks, Printers, Game Consoles
- Open-Frame SMPS for LCD TV, LCD Monitors, Printers

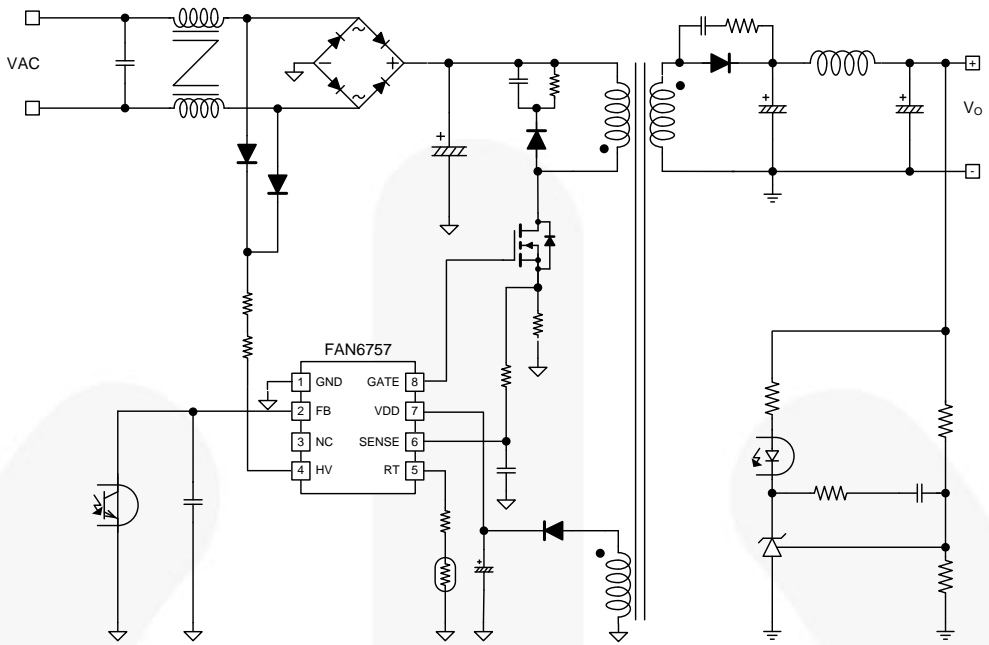
## Ordering Information

Part Number	Protections <sup>(1)</sup>				Operating Temperature Range	Package	Packing Method
	OLP	OVP	OTP	SSCP			
FAN6757MRMX	A/R	L	L	A/R	-40 to +105°C	8-Pin, Small-Outline Package (SOP)	Tape & Reel

### Note:

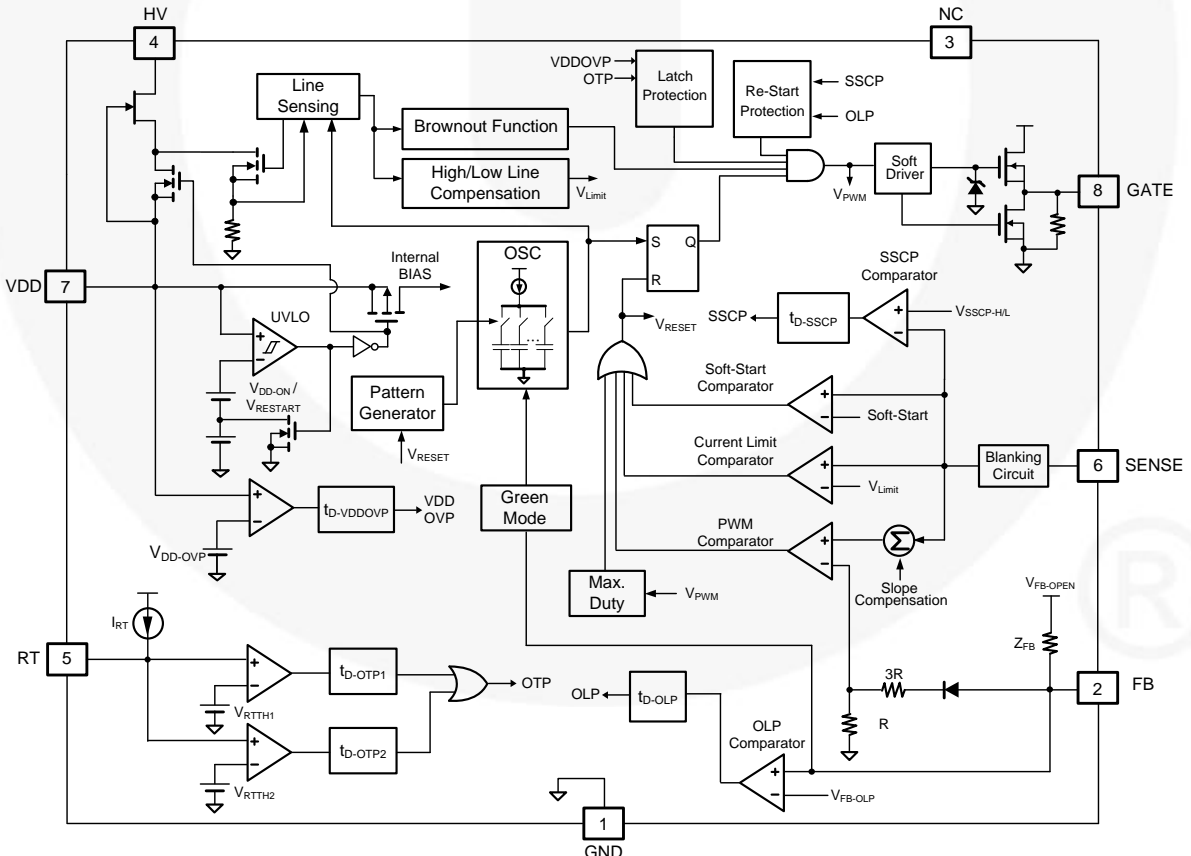
1. A/R = Auto Recovery Mode protection, L = Latch Mode protection.

**Application Diagram**



**Figure 1. Typical Application**

**Internal Block Diagram**



**Figure 2. Functional Block Diagram**

## Marking Information

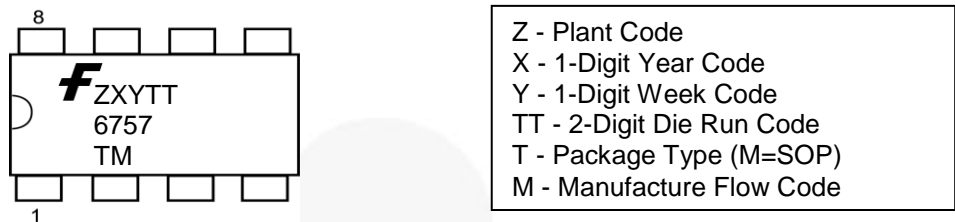


Figure 3. Top Mark

## Pin Configuration

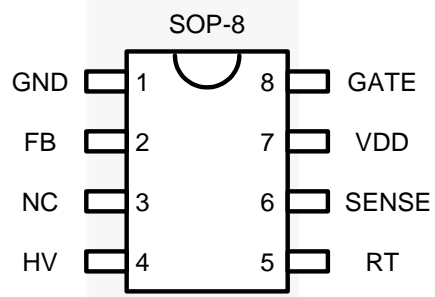


Figure 4. Pin Configuration (Top View)

## Pin Definitions

Pin #	Name	Description
1	GND	<b>Ground.</b> This pin is used for the ground potential of all the pins. A 0.1 $\mu$ F decoupling capacitor placed between VDD and GND is recommended.
2	FB	<b>Feedback.</b> The output voltage feedback information from the external compensation circuit is fed into this pin. The PWM duty cycle is determined from this pin and the current-sense signal from Pin 6. The FAN6757 performs open-loop protection: if the FB voltage is higher than a threshold voltage (around 4.6 V) for more than 57.5 ms, the controller latches off the PWM.
3	NC	No connection
4	HV	<b>High-Voltage Startup.</b> This pin is connected to the line input or bulk capacitor, via 200 k $\Omega$ resistors, to achieve brownout and high/low line compensation. If the voltage of the HV pin is lower than the brownout voltage (AC line peak voltage less than 100 V) and lasts for 65 ms, PWM output turns off. High/low line compensation dominates the OCP level and cycle-by-cycle current limit, to solve the unequal OCP level and power-limit problems under universal input.
5	RT	<b>Over-Temperature Protection.</b> An external NTC thermistor is connected from this pin to the GND pin. The impedance of the NTC thermistor decreases at high temperatures. Once the voltage of the RT pin drops below the threshold voltage, the controller latches off the PWM. If the RT pin is not connected to an NTC resistor for over-temperature protection, it is recommended to place one 100 k $\Omega$ resistor to ground to prevent from noise interference. This pin is limited by an internal clamping circuit.
6	SENSE	<b>Current Sense.</b> The sensed voltage is used for peak-current-mode control and cycle-by-cycle current limiting.
7	VDD	<b>Power Supply.</b> The internal protection circuit disables PWM output as long as V <sub>DD</sub> exceeds the OVP trigger point.
8	GATE	<b>Gate Drive Output.</b> The totem-pole output driver for the power MOSFET. It is internally clamped below 14.5 V.

## Absolute Maximum Ratings

Stresses exceeding the absolute maximum ratings may damage the device. The device may not function or be operable above the recommended operating conditions and stressing the parts to these levels is not recommended. In addition, extended exposure to stresses above the recommended operating conditions may affect device reliability. The absolute maximum ratings are stress ratings only.

Symbol	Parameter		Min.	Max.	Units
V <sub>VDD</sub>	DC Supply Voltage <sup>(1,2)</sup>			30	V
V <sub>FB</sub>	FB Pin Input Voltage		-0.3	7.0	V
V <sub>SENSE</sub>	SENSE Pin Input Voltage		-0.3	7.0	V
V <sub>RT</sub>	RT Pin Input Voltage		-0.3	7.0	V
V <sub>HV</sub>	HV Pin Input Voltage			500	V
P <sub>D</sub>	Power Dissipation (T <sub>A</sub> < 50°C)			400	mW
Θ <sub>JA</sub>	Thermal Resistance (Junction-to-Air)			150	°C/W
T <sub>J</sub>	Operating Junction Temperature		-40	+125	°C
T <sub>STG</sub>	Storage Temperature Range		-55	+150	°C
T <sub>L</sub>	Lead Temperature (Wave Soldering or IR, 10 Seconds)			+260	°C
ESD	Human Body Model, JEDEC:JESD22-A114	All Pins except HV Pin <sup>(3)</sup>		6.5	kV
	Charged Device Model, JEDEC:JESD22-C101	All Pins except HV Pin <sup>(3)</sup>		2.0	

### Notes:

- All voltage values, except differential voltages, are given with respect to the network ground terminal.
- Stresses beyond those listed under Absolute Maximum Ratings may cause permanent damage to the device.
- ESD level on the HV pin is CDM=1 kV and HBM=1 kV.

## Recommended Operating Conditions

The Recommended Operating Conditions table defines the conditions for actual device operation. Recommended operating conditions are specified to ensure optimal performance to the datasheet specifications. We does not recommend exceeding them or designing to Absolute Maximum Ratings.

Symbol	Parameter	Min.	Typ.	Max.	Unit
R <sub>HV</sub>	Resistance on HV Pin	150	200	250	kΩ

## Electrical Characteristics

$V_{DD}=15\text{ V}$  and  $T_J=T_A=25^\circ\text{C}$  unless otherwise noted.

Symbol	Parameter	Conditions	Min.	Typ.	Max.	Unit
<b>V<sub>DD</sub> Section</b>						
V <sub>DD-ON</sub>	Threshold Voltage to Startup	V <sub>DD</sub> Rising	16	17	18	V
V <sub>UVLO</sub>	Threshold Voltage to Stop Switching in Normal Mode	V <sub>DD</sub> Falling	5.5	6.5	7.5	V
V <sub>RESTART</sub>	Threshold Voltage to enable HV Startup to Charge V <sub>DD</sub> in Normal Mode	V <sub>DD</sub> Falling		4.7		V
V <sub>DD-OFF</sub>	Threshold Voltage to Stop Operating in Protection Mode	V <sub>DD</sub> Falling	10	11	12	V
V <sub>DD-OLP</sub>	Threshold Voltage to Enable HV Startup to Charge V <sub>DD</sub> in Protection Mode	V <sub>DD</sub> Falling	6	7	8	V
V <sub>DD-LH</sub>	Threshold Voltage to Release Latch Mode	V <sub>DD</sub> Falling	3.5	4.0	4.5	V
V <sub>DD-AC</sub>	Minimum Voltage of VDD Pin for Enabling Brown-in to Avoid Startup Fail		V <sub>UVLO</sub> +2.5	V <sub>UVLO</sub> +3.0	V <sub>UVLO</sub> +3.5	V
I <sub>DD-ST</sub>	Startup Current	V <sub>DD</sub> =V <sub>DD-ON</sub> - 0.16 V			30	μA
I <sub>DD-OP1</sub>	Supply Current in PWM Operation	V <sub>DD</sub> =15 V, V <sub>FB</sub> =3 V, Gate Open			1.8	mA
I <sub>DD-OP2</sub>	Supply Current when PWM Stops	V <sub>DD</sub> =15 V, V <sub>FB</sub> <1.4 V, Gate Off			800	μA
I <sub>DD-OLP</sub>	Internal Sink Current when V <sub>DD-OLP</sub> <V <sub>DD</sub> <V <sub>DD-OFF</sub> in Protection Mode	V <sub>DD</sub> = V <sub>DD-OLP</sub> + 0.1 V	90	140	190	μA
I <sub>LH</sub>	Internal Sink Current when V <sub>DD</sub> <V <sub>DD-OLP</sub> in Latch-Protection Mode	V <sub>DD</sub> = 5 V	30			μA
V <sub>DD-OVP</sub>	Threshold Voltage for V <sub>DD</sub> Over-Voltage Protection		23.5	24.5	25.5	V
t <sub>D-VDDOVP</sub>	V <sub>DD</sub> Over-Voltage Protection Debounce Time		110	205	300	μs
<b>HV Section</b>						
I <sub>HV</sub>	Inherent Current Limit of HV Pin	V <sub>AC</sub> =90 V (V <sub>DC</sub> =120 V), V <sub>DD</sub> =0 V	1.50	3.25	5.00	mA
V <sub>AC-OFF</sub>	Threshold Voltage for Brownout	DC Source Series, R=200 kΩ to HV Pin	90	100	110	V
V <sub>AC-ON</sub>	Threshold Voltage for Brown-In	DC Source Series, R=200 kΩ to HV Pin	100	110	120	V
ΔV <sub>AC</sub>	V <sub>AC-ON</sub> - V <sub>AC-OFF</sub>	DC Source Series, R=200 kΩ to HV Pin	8	12	16	V
t <sub>D-AC-OFF</sub>	Debounce Time for Brownout		40	65	90	ms
t <sub>S-WORK</sub>	Work Period of HV-Sampling Circuit in Standby Mode	V <sub>FB</sub> <V <sub>FB-ZDC</sub>	95	140	185	ms
t <sub>S-REST</sub>	Rest Period of HV-Sampling Circuit in Standby Mode	V <sub>FB</sub> <V <sub>FB-ZDC</sub>	180	260	320	ms
V <sub>HV-DIS</sub>	HV Discharge Threshold	R <sub>HV</sub> =200 kΩ to HV Pin	V <sub>DC</sub> ×0.45	V <sub>DC</sub> ×0.51	V <sub>DC</sub> ×0.56	V
t <sub>D-HV-DIS</sub>	Debounce Time for HV Discharge		75	115	155	ms
t <sub>HV-DIS</sub>	HV Discharge Time		360	510	660	ms

Continued on the following page...

## Electrical Characteristics

$V_{DD}=15\text{ V}$  and  $T_J=T_A=25^\circ\text{C}$  unless otherwise noted.

Symbol	Parameter	Conditions	Min.	Typ.	Max.	Unit
<b>Oscillator Section</b>						
$f_{OSC}$	Frequency in Normal Mode	Center Frequency	62	65	68	kHz
		Hopping Range ( $V_{FB}>V_{FB-N}$ )	$\pm 3.55$	$\pm 4.25$	$\pm 4.95$	
$t_{HOP}$	Hopping Period	$V_{FB}>V_{FB-G}$	5.12	6.40	7.68	ms
$f_{OSC-G}$	Green-Mode Frequency	Center Frequency	20	23	26	kHz
		Hopping Range (Increase $V_{FB}$ from $V_{FB-G}$ Until Hopping Starts)	$\pm 1.25$	$\pm 1.50$	$\pm 1.75$	
$f_{DV}$	Frequency Variation vs. $V_{DD}$ Deviation	$V_{DD}=11\text{ V to }22\text{ V}$			5	%
$f_{DT}$	Frequency Variation vs. Temperature Deviation	$T_A=-40\text{ to }105^\circ\text{C}$			5	%
<b>Feedback Input Section</b>						
$A_V$	Input Voltage to Current-Sense Attenuation		1/4.50	1/3.75	1/3.00	V/V
$Z_{FB}$	Pull High Impedance at Normal Mode		17	19	21	k $\Omega$
$V_{FB-OPEN}$	Output High Voltage	FB Pin Open	5.2	5.4	5.6	V
$V_{FB-OLP}$	FB Open-Loop Trigger Level		4.3	4.6	4.9	V
$t_{D-OLP}$	Delay of FB Pin Open-Loop Protection		45.0	57.5	70.0	ms
$V_{FB-N}$	Green-Mode Entry FB Voltage		2.6	2.8	3.0	V
$V_{FB-G}$	Green-Mode Ending FB Voltage		2.1	2.3	2.5	V
$V_{FB-ZDCR}$	FB Threshold Voltage for Zero-Duty Recovery at Normal Mode		1.9	2.1	2.3	V
$V_{FB-ZDC}$	FB Threshold Voltage for Zero-Duty at Normal Mode		1.8	2.0	2.2	V
<b>Current-Sense Section</b>						
$t_{PD}$	Delay to Output			100	250	ns
$t_{LEB}$	Leading-Edge Blanking Time		200	265	330	ns
$V_{LIMIT-L}$	Current Limit at Low Line ( $V_{AC-RMS}=86\text{ V}$ )	$V_{DC}=122\text{ V}$ , Series R=200 k $\Omega$ to HV	0.43	0.46	0.49	V
$V_{LIMIT-H}$	Current Limit at High Line ( $V_{AC-RMS}=259\text{ V}$ )	$V_{DC}=366\text{ V}$ , Series R=200 k $\Omega$ to HV	0.36	0.39	0.42	V
$V_{SSCP-L}$	Threshold Voltage for SENSE Short-Circuit Protection	$V_{DC}=122\text{ V}$ , Series R=200 k $\Omega$ to HV	30	50	70	mV
$V_{SSCP-H}$	Threshold Voltage for SENSE Short-Circuit Protection	$V_{DC}=366\text{ V}$ , Series R=200 k $\Omega$ to HV	80	100	120	mV
$t_{ON-SSCP}$	On Time for $V_{SSCP-(L/H)}$ Checking	$V_{SENSE}<V_{SSCP-(L/H)}$	4.00	4.55	5.10	$\mu\text{s}$
$t_{D-SSCP}$	Debounce Time for SENSE Short-Circuit Protection	$V_{SENSE}<V_{SSCP-(L/H)}$	110	170	230	$\mu\text{s}$
$t_{SS}$	Soft-Startup Time	Startup Time	5	7	9	ms

Continued on the following page...

## Electrical Characteristics

$V_{DD}=15\text{ V}$  and  $T_J=T_A=25^\circ\text{C}$  unless otherwise noted.

Symbol	Parameter	Conditions	Min.	Typ.	Max.	Unit
<b>GATE Section</b>						
$DCY_{MAX}$	Maximum Duty Cycle		75.0	82.5	90.0	%
$V_{GATE-L}$	Gate Low Voltage	$V_{DD}=15\text{ V}$ , $I_O=50\text{ mA}$			1.5	V
$V_{GATE-H}$	Gate High Voltage	$V_{DD}=12\text{ V}$ , $I_O=50\text{ mA}$	8			V
$t_r$	Gate Rising Time (10~90%)	$V_{DD}=15\text{ V}$ , $C_L=1\text{ nF}$	85	110	135	ns
$t_f$	Gate Falling Time (10~90%)	$V_{DD}=15\text{ V}$ , $C_L=1\text{ nF}$	30	40	50	ns
$V_{GATE-CLAMP}$	Gate Output Clamping Voltage	$V_{DD}=22\text{ V}$	11.0	14.5	18.0	V
<b>RT Section</b>						
$I_{RT}$	Output Current of RT Pin			100		$\mu\text{A}$
$V_{RTTH1}$	Threshold Voltage, Latch Protection (Generally Used for External OTP Triggering)	$V_{RTTH2} < V_{RT} < V_{RTTH1}$ , After 14.5 ms Latch Off	1.000	1.035	1.070	V
$V_{RTTH2}$	Second Latch Protection Threshold Voltage	$V_{RTTH2} < 0.7\text{ V}$ , After 185 $\mu\text{s}$ Latch Off	0.65	0.70	0.75	V
$R_{OTP}$	Value of $V_{RTTH1}/I_{RT}$		9.66	10.50	11.34	$\text{k}\Omega$
$t_{D-OTP1}$	Debounce Time, First Latch Protection Triggering	$V_{RTTH2} < V_{RT} < V_{RTTH1}$	11.0	14.5	18.0	ms
$t_{D-OTP2}$	Debounce Time, Second Latch Protection Triggering	$V_{RT} < V_{RTTH2}$	110	185	260	$\mu\text{s}$
<b>Over-Temperature Protection Section (OTP)</b>						
$T_{OTP}$	Protection Junction Temperature			+135		$^\circ\text{C}$
$T_{RESTART}$	Restart Junction Temperature			$T_{OTP}-25$		$^\circ\text{C}$



## Typical Characteristics

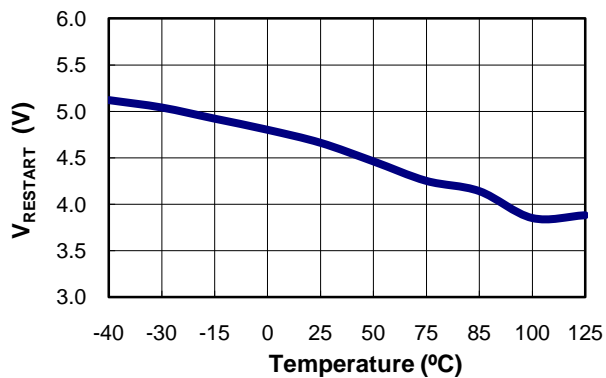


Figure 5. V<sub>RESTART</sub> vs. Temperature

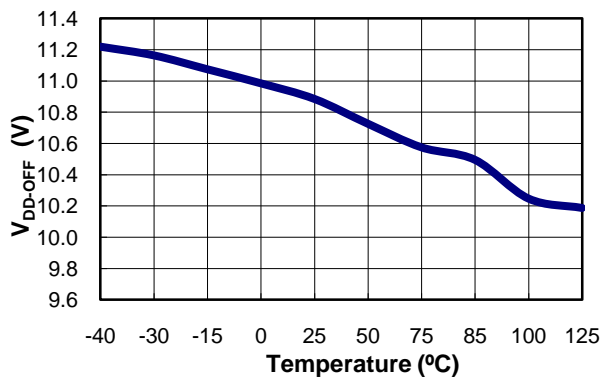


Figure 6. V<sub>DD-OFF</sub> vs. Temperature

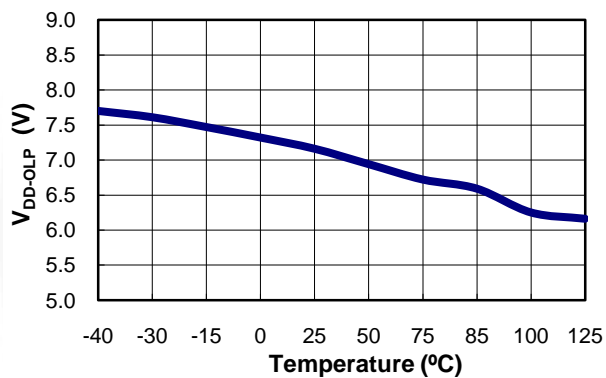


Figure 7. V<sub>DD-OLP</sub> vs. Temperature

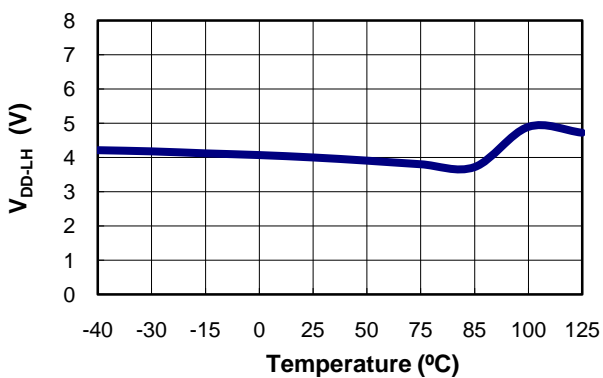


Figure 8. V<sub>DD-LH</sub> vs. Temperature

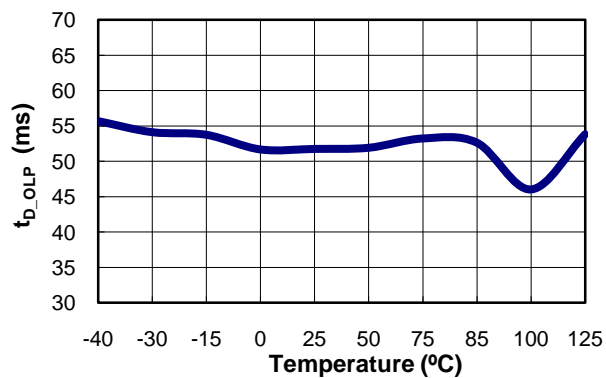


Figure 9. T<sub>D-OLP</sub> vs. Temperature

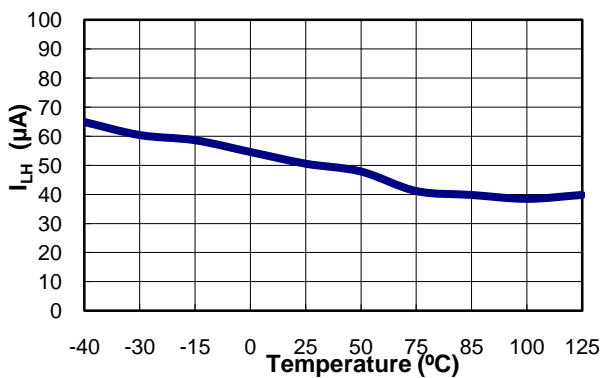


Figure 10. I<sub>LH</sub> vs. Temperature

Typical Characteristics

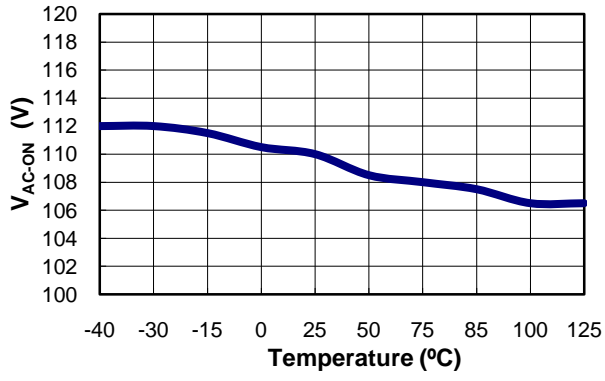


Figure 11.  $V_{AC-ON}$  vs. Temperature

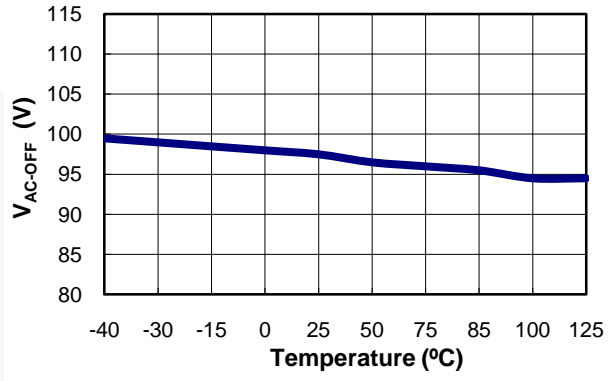


Figure 12.  $V_{AC-OFF}$  vs. Temperature

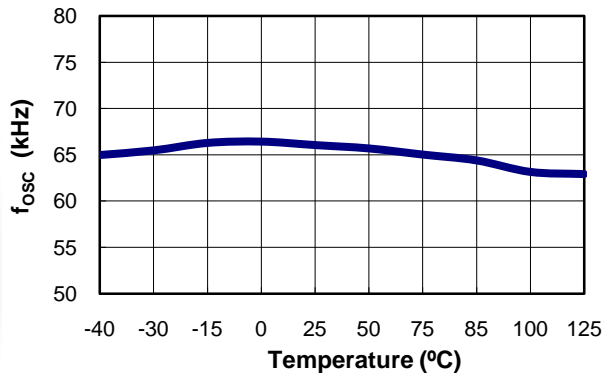


Figure 13.  $f_{osc}$  vs. Temperature

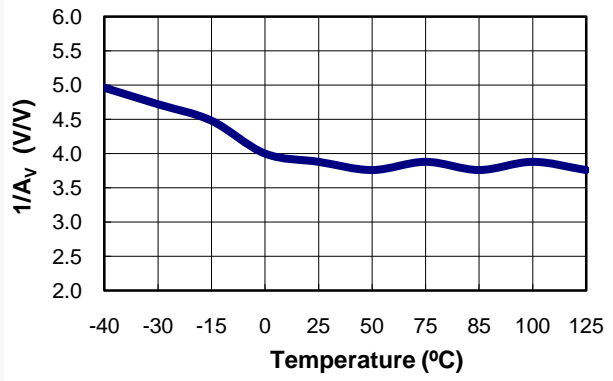


Figure 14.  $1/A_v$  vs. Temperature

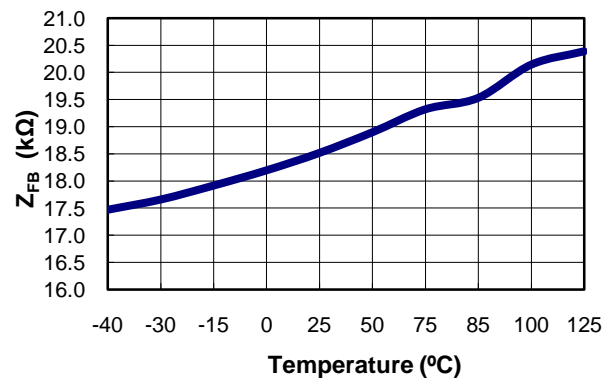


Figure 15.  $Z_{FB}$  vs. Temperature

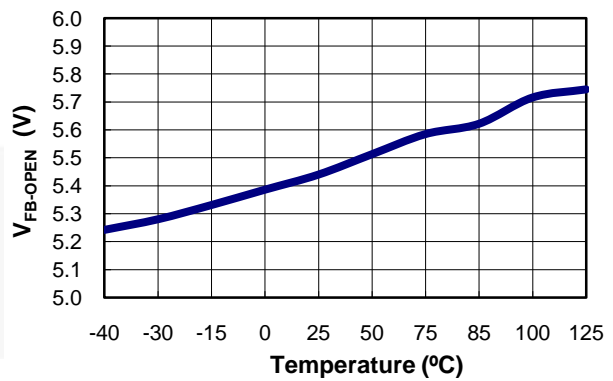


Figure 16.  $V_{FB-OPEN}$  vs. Temperature

### Typical Characteristics

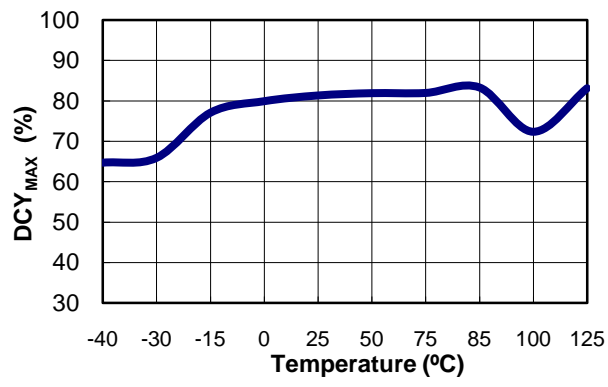


Figure 17. DCY<sub>MAX</sub> vs. Temperature

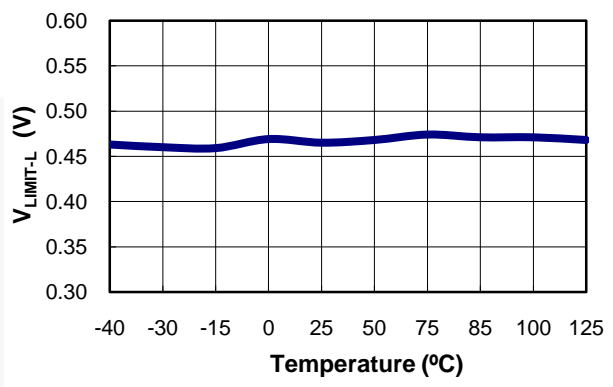


Figure 18. V<sub>LIMIT-L</sub> vs. Temperature

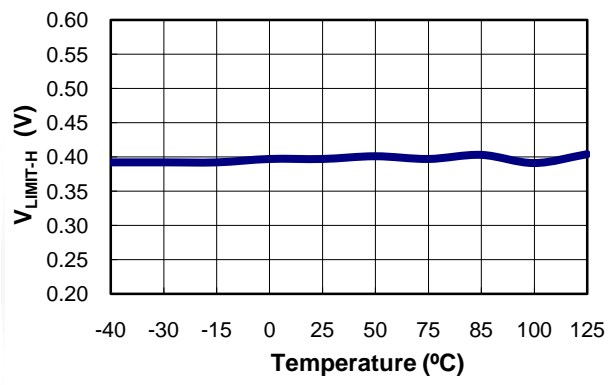


Figure 19. V<sub>LIMIT-H</sub> vs. Temperature

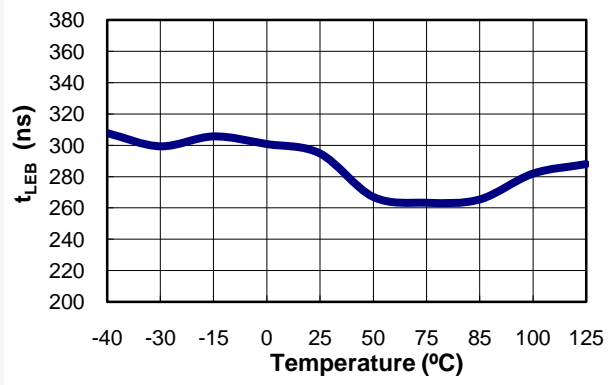


Figure 20. t<sub>LEB</sub> vs. Temperature

## Functional Description

### Current Mode Control

FAN6757 employs peak current-mode control, as shown in Figure 21. An opto-coupler (such as the H11A817A) and a shunt regulator (such as the KA431) are typically used to implement the feedback network. Comparing the feedback voltage with the voltage across the  $R_{sense}$  resistor makes it possible to control the switching duty cycle. The built-in slope compensation stabilizes the current loop and prevents sub-harmonic oscillation.

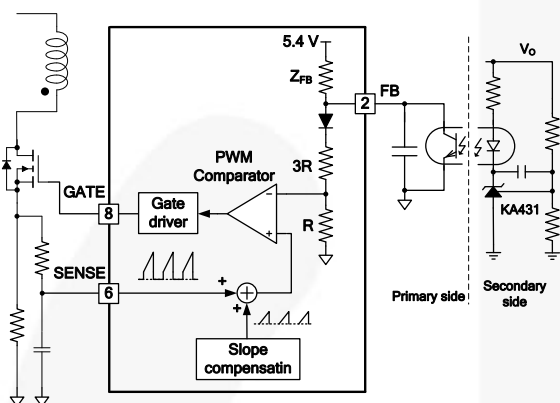


Figure 21. Current Mode Control Circuit Diagram

### Green-Mode Operation

The FAN6757 modulates the PWM frequency as a function of the FB voltage to improve the medium- and light-load efficiency, as shown in Figure 22. Since the output power is proportional to the FB voltage in current-mode control, the switching frequency decreases as load decreases. In heavy-load conditions, the switching frequency is fixed at 65 kHz. Once  $V_{FB}$  decreases below  $V_{FB-N}$  (2.8 V), the PWM frequency starts linearly decreasing from 65 kHz to 23 kHz to reduce switching losses. As  $V_{FB}$  drops to  $V_{FB-G}$  (2.3 V), where switching frequency is decreased to 23 kHz, the switching frequency is fixed to avoid acoustic noise.

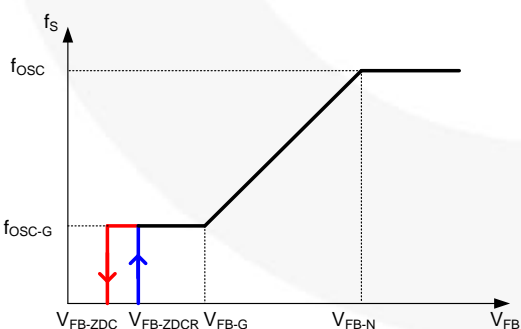


Figure 22.  $V_{FB}$  vs. PWM Frequency

When  $V_{FB}$  falls below  $V_{FB-ZDC}$  (2.0 V) as load decreases further, the FAN6757 enters Burst Mode operation, where PWM switching is disabled. Then the output voltage starts to drop, causing the feedback voltage to rise. Once  $V_{FB}$  rises above  $V_{FB-ZDCR}$  (2.1 V), switching resumes. Burst Mode alternately enables and disables

switching, reducing switching loss for lower power consumption, as shown in Figure 23.

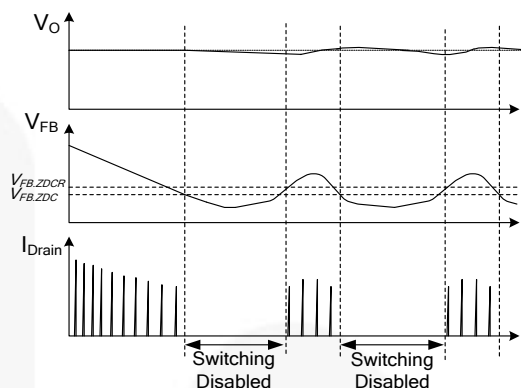


Figure 23. Burst Switching in Green Mode

### Operating Current

In normal conditions, operating current is less than 1.8 mA ( $I_{DD-OP1}$ ). When  $V_{FB} < 1.4$  V, operating current is further reduced below 800  $\mu$ A ( $I_{DD-OP2}$ ) by disabling several blocks of the FAN6757. The low operating current improves light-load efficiency and reduces the requirement of  $V_{DD}$  hold-up capacitance.

### High-Voltage Startup and Line Sensing

The HV pin is typically connected to the AC line input through two external diodes and one resistor ( $R_{HV}$ ), as shown in Figure 24. When the AC line voltage is applied, the  $V_{DD}$  hold-up capacitor is charged by the line voltage through the diodes and resistor. After  $V_{DD}$  reaches the turn-on threshold voltage ( $V_{DD-ON}$ ), the startup circuit charging  $V_{DD}$  capacitor is switched off and  $V_{DD}$  is supplied by the auxiliary winding of the transformer. Once the FAN6757 starts up, it continues operation until  $V_{DD}$  drops below 6.5 V ( $V_{UVLO}$ ). The IC startup time with a given AC line input voltage is:

$$t_{STARTUP} = R_{HV} \cdot C_{DD} \cdot \ln \frac{V_{AC-IN} \cdot \frac{2\sqrt{2}}{\pi}}{V_{AC-IN} \cdot \frac{2\sqrt{2}}{\pi} - V_{DD-ON}} \quad (1)$$

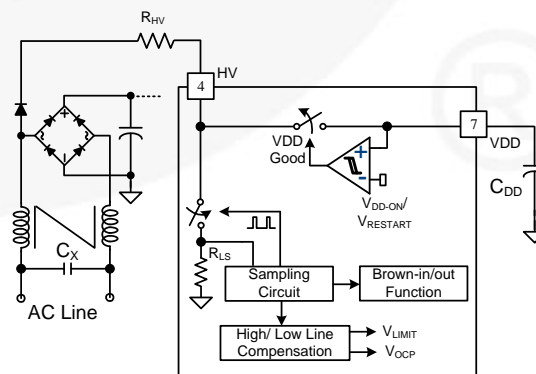


Figure 24. Startup Circuit

The HV pin detects the AC line voltage using a switched voltage divider consisting of an external resistor ( $R_{HV}$ ) and an internal resistor ( $R_{LS}$ ), as shown in Figure 24. The internal line-sensing circuit detects line voltage using a sampling circuit and a peak-detection circuit. Since the voltage divider causes power consumption when it is switched on, the switching is driven by a signal with a very narrow pulse width to minimize power loss. The sampling frequency is also adaptively changed according to the load condition to minimize power consumption in light-load condition.

Based on the detected line voltage, brown-in and brown-out thresholds are determined as:

$$V_{BROWN-IN} (RMS) = \frac{R_{HV}}{200k} \cdot \frac{V_{AC-ON}}{\sqrt{2}} \quad (2)$$

$$V_{BROWN-OUT} (RMS) = \frac{R_{HV}}{200k} \cdot \frac{V_{AC-OFF}}{\sqrt{2}} \quad (3)$$

Since the internal resistor ( $R_{LS}=1.62 \text{ k}\Omega$ ) of the voltage divider is much smaller than  $R_{HV}$ , the thresholds are given as a function of  $R_{HV}$ .

Note that  $V_{DD}$  must be larger than  $V_{DD-AC}$  to start up, even though sensed line voltage satisfies Equation 2.

### AX-CAP® Discharge

The EMI filter in the front end of the Switched-Mode Power Supply (SMPS) typically includes a capacitor across the AC line connector. Most of the safety regulations, such as UL 1950 and IEC61010-1, require the capacitor be discharged to a safe level within a given time when AC plug is removed from its receptacle. Typically, discharge resistors across the capacitor are used to ensure the capacitor is discharged naturally, which introduces power loss as long as it is connected to the receptacle.

The innovative AX-CAP® technology intelligently discharges the filter capacitor only when the power supply is unplugged from the power outlet. Since the AX-CAP® discharge circuit is disabled in normal operation, the power loss in the EMI filter can be virtually removed.

The discharge of the capacitor is achieved through the HV pin. Once AC outlet detaching is detected, the FAN6757 discharges the capacitor across the AC line connector by the external resistor on the HV pin.

### High/Low Line Compensation for Constant Power Limit

FAN6757 has pulse-by-pulse current limit, as shown in Figure 25, to limit the maximum input power with a given input voltage. If the output consumes beyond this maximum power, the output voltage drops triggering the overload protection.

As shown in Figure 25, the high/low line compensation block adjusts the current-limit level,  $V_{LIMIT}$ , based on the line voltage. Figure 26 shows how the pulse-by-pulse current-limit level changes with the line voltage for different  $R_{HV}$  resistors. To maintain the constant output power limit regardless of line voltage, the cycle-by-cycle current-limit level,  $V_{LIMIT}$ , decreases as line voltage

increases. The current-limit level is also proportional to the  $R_{HV}$  resistor value and the power-limit level can be tuned using the  $R_{HV}$  resistor.

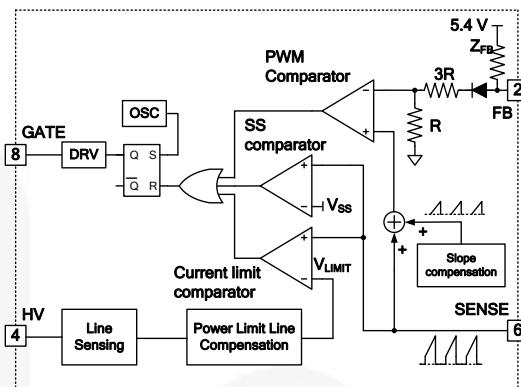


Figure 25. Pulse-by-pulse Current Limit Circuit

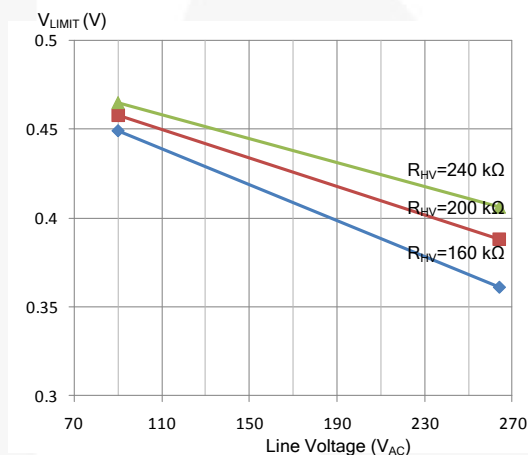


Figure 26. Current Limit vs. Line Voltage

### Under-Voltage Lockout (UVLO)

As shown in Figure 27, as long as protection is not triggered, the turn-off threshold of  $V_{DD}$  is fixed internally at  $V_{UVLO}$  (6.5 V). When Protection Mode is triggered, the  $V_{DD}$  level to terminate PWM gate switching is changed to  $V_{DD-OFF}$  (11 V), as shown in Figure 28. When  $V_{DD}$  drops below  $V_{DD-OFF}$ , switching is terminated and the operating current from VDD is reduced to  $I_{DD-OLP}$  to slow down the discharge of VDD until  $V_{DD}$  reaches  $V_{DD-OLP}$ . This delays re-startup after shutdown by protection to minimize the input power and voltage/current stress of switching devices during fault condition.

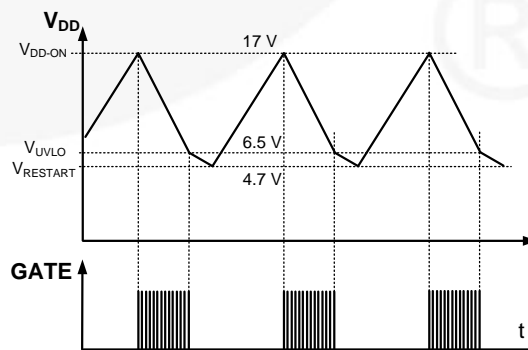
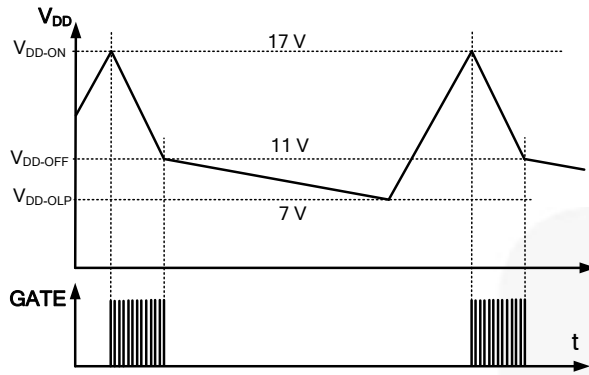


Figure 27.  $V_{DD}$  UVLO at Normal Mode



**Figure 28. V<sub>DD</sub> UVLO at Protection Mode**

### Leading-Edge Blanking (LEB)

Each time the power MOSFET is switched on, a turn-on spike occurs on the sense resistor. To avoid premature termination of the switching pulse, a leading-edge blanking time,  $t_{LEB}$ , is introduced. During this blanking period, the current-limit comparator is disabled and cannot switch off the gate driver.

### Gate Output / Soft Driving

The BiCMOS output stage has a fast totem-pole gate driver. The output driver is clamped by an internal 14.5 V Zener diode to protect power MOSFET gate from over voltage. A soft driving is implemented to minimize electromagnetic interference (EMI) by reducing the switching noise.

### V<sub>DD</sub> Over-Voltage Protection (OVP)

V<sub>DD</sub> over-voltage protection prevents IC damage from over-voltage exceeding the IC voltage rating. When the V<sub>DD</sub> voltage exceeds 24.5 V, the protection is triggered. This protection is typically caused by open circuit of the secondary-side feedback network.

### Soft-Start

An internal soft-start circuit progressively increases the pulse-by-pulse current-limit level of the MOSFET for 7 ms during startup to establish the correct working conditions for the transformers and capacitors.

### Over-Temperature Protection (OTP)

The RT pin provides adjustable Over-Temperature Protection (OTP) and an external latch triggering

function. For OTP applications, an NTC thermistor,  $R_{NTC}$ , usually in series with a resistor  $R_A$ , is connected between the RT pin and ground. The internal current source,  $I_{RT}$ , (100  $\mu$ A) introduces voltage on RT as:

$$V_{RT} = I_{RT} \cdot (R_{NTC} + R_A) \quad (4)$$

At high ambient temperature,  $R_{NTC}$  decreases reducing  $V_{RT}$ . When  $V_{RT}$  is lower than  $V_{RTTH1}$  (1.035 V) for longer than  $t_{D-OTP1}$  (14.5 ms), the protection is triggered and the FAN6757 enters latch mode protection.

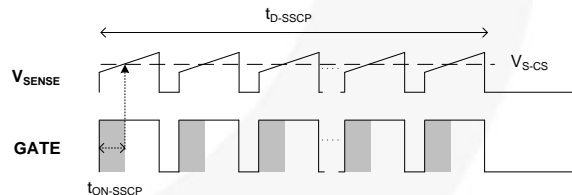
The OTP can be also triggered by pulling down the RT pin voltage using an opto-coupler or transistor. Once  $V_{RT}$  is less than  $V_{RTTH2}$  (0.7 V) for longer than  $t_{D-OTP2}$  (185  $\mu$ s), the protection is triggered and latch mode protection begins.

When OTP is not used, it is recommended to place a 10 k $\Omega$  resistor between this pin and ground to prevent noise interference.

### Sense-Pin Short-Circuit Protection

FAN6757 provides safety protection for Limited Power Source (LPS) test. When the current-sense resistor is short circuited by a soldering defect during production, the current-sensing information is not properly obtained, which results in unstable operation of the power supply.

To protect the power supply against a short circuit across the current-sense resistor, the FAN6757 shuts down when the current-sense voltage is very low, even with a relatively large duty cycle. As shown in Figure 29, the current-sense voltage is sampled  $t_{ON-SSCP}$  (4.55  $\mu$ s) after the gate turn-on. If the sampled voltage ( $V_{S-CS}$ ) is lower than  $V_{SSCP}$  for 11 consecutive switching cycles (170  $\mu$ s), the FAN6757 shuts down immediately.  $V_{SSCP}$  varies linearly with the line voltage. At 122 V DC input, it is typically 50 mV ( $V_{SSCP-L}$ ); while at 366 V DC, it is typically 100 mV ( $V_{SSCP-H}$ ).



**Figure 29. Timing Diagram of SSCP**



## Winding Specification

	Pin (Start → Finish)	Wire	Turns	Winding Method	Remark
N1	4 → 5	0.5φ×1	19	Solenoid Winding	Enameled Copper Wire
Insulation: Polyester Tape, t = 0.025 mm, 1 Layer					
Shielding: Adhesive Tape of Copper Foil, t = 0.025×7 mm, 1.2 Layers, Open Loop, Connected to Pin 4					
Insulation: Polyester Tape t = 0.025 mm, 3 Layers					
N2	S → F	0.9φ×1	8	Solenoid Winding	Triple Insulated Wire
Insulation: Polyester Tape, t = 0.025mm, 3 Layers					
N3	9 → 7	0.4φ×1	7	Solenoid Winding	Enameled Copper Wire
Insulation: Polyester Tape, t = 0.025 mm, 1 Layer					
Shielding: Adhesive Tape of Copper Foil, t = 0.025×7 mm, 1.2 Layers, Open Loop, Connected to Pin 4					
Insulation: Polyester Tape t = 0.025 mm, 3 Layers					
N4	5 → 6	0.5φ×1	19	Solenoid Winding	Enameled Copper Wire
Insulation: Polyester Tape t = 0.025 mm, 3 Layers					

## Electrical Characteristics

	Pin	Specification	Remark
Primary-Side Inductance	4–6	510 μH ±5%	1 kHz, 1 V
Primary-Side Effective Leakage Inductance	4–6	20 μH Maximum	Short All Other Pins

## Typical Performance

Table 1. Power Consumption

Input Voltage	Output Power	Actual Output Power	Input Power	Specification
230 V <sub>AC</sub>	No Load	0 W	0.045 W	Input Power < 0.05 W
	0.25 W	0.255 W	0.360 W	Input Power < 0.5 W
	0.5 W	0.521 W	0.711 W	Input Power < 1 W

Table 2. Efficiency

Output Power	16.25 W	32.5 W	48.75 W	65 W	Average
115 V 60 Hz	87.84%	87.42%	86.92%	86.23%	87.10%
230 V 50 Hz	87.88%	87.95%	87.82%	87.69%	87.83%



Physical Dimensions

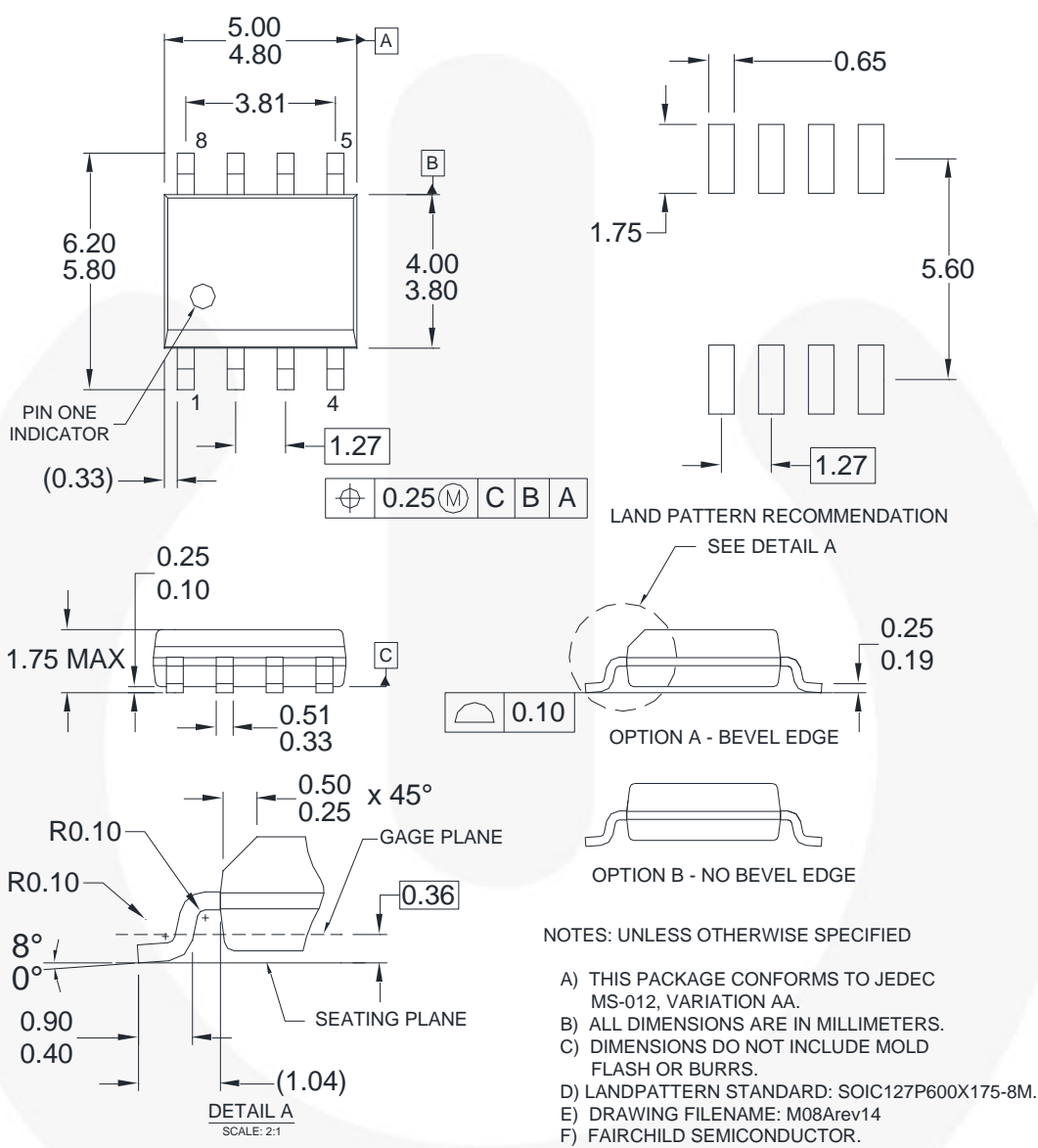


Figure 32. 8-Pin, SOP-8 Package





Package drawings are provided as a service to customers considering our components. Drawings may change in any manner without notice. Please note the revision and/or date on the drawing and contact our representative to verify or obtain the most recent revision. Package specifications do not expand the terms of our worldwide terms and conditions, specifically the warranty therein, which covers our products.

Always visit Fairchild Semiconductor's online packaging area for the most recent package drawings:  
<http://www.fairchildsemi.com/dwg/M0/M08A.pdf>



**TRADEMARKS**

The following includes registered and unregistered trademarks and service marks, owned by Fairchild Semiconductor and/or its global subsidiaries, and is not intended to be an exhaustive list of all such trademarks.

- |   |  |   |   |
|---|--|---|---|
| AccuPower™  | F-PFS™   |  | Sync-Lock™  |
| AX-CAP®*  | FRFET®   | PowerTrench®  | SYSTEM GENERAL®   |
| BitSiC™   | Global Power Resource™                         | PowerXS™  | TinyBoost®  |
| Build it Now™   | GreenBridge™                                   | Programmable Active Droop™  | TinyBuck®   |
| CorePLUS™   | Green FPS™                                     | QFET®   | TinyCalc™   |
| CorePOWER™  | Green FPS™ e-Series™                           | QS™   | TinyLogic®  |
| CROSSVOLT™  | Gmax™  | Quiet Series™   | TINYOPTO™   |
| CTL™  | GTO™   | RapidConfigure™   | TinyPower™  |
| Current Transfer Logic™   | IntelliMAX™                                    |  | TinyPWM™  |
| DEUXPEED®   | ISOPLANAR™                                     | Saving our world, 1mW/W/kW at a time™   | TinyWire™   |
| Dual Cool™  | Making Small Speakers Sound Louder and Better™ | SignalWise™   | TranSiC™  |
| EcoSPARK®   | MegaBuck™                                      | SmartMax™   | TriFault Detect™  |
| EfficientMax™   | MICROCOUPLER™                                  | SMART START™  | TRUECURRENT®*   |
| ESBC™   | MicroFET™                                      | Solutions for Your Success™   | µSerDes™  |
|  | MicroPak™                                      | SPM®  |  |
| Fairchild®  | MicroPak2™                                     | STEALTH™  | UHC™  |
| Fairchild Semiconductor®  | MillerDrive™                                   | SuperFET®   | Ultra FRFET™  |
| FACT Quiet Series™  | MotionMax™                                     | SuperSOT™-3   | UniFET™   |
| FACT®   | mWSaver®                                       | SuperSOT™-6   | VCX™  |
| FAST®   | OptoHiT™                                       | SuperSOT™-8   | VisualMax™  |
| FastvCore™  | OPTOLOGIC®                                     | SupreMOS®   | VoltagePlus™  |
| FETBench™   | OPTOPLANAR®                                    | SyncFET™  | XS™   |
| FPS™  |  |   |   |

\* Trademarks of System General Corporation, used under license by Fairchild Semiconductor.

**DISCLAIMER**

FAIRCHILD SEMICONDUCTOR RESERVES THE RIGHT TO MAKE CHANGES WITHOUT FURTHER NOTICE TO ANY PRODUCTS HEREIN TO IMPROVE RELIABILITY, FUNCTION, OR DESIGN. FAIRCHILD DOES NOT ASSUME ANY LIABILITY ARISING OUT OF THE APPLICATION OR USE OF ANY PRODUCT OR CIRCUIT DESCRIBED HEREIN; NEITHER DOES IT CONVEY ANY LICENSE UNDER ITS PATENT RIGHTS, NOR THE RIGHTS OF OTHERS. THESE SPECIFICATIONS DO NOT EXPAND THE TERMS OF FAIRCHILD'S WORLDWIDE TERMS AND CONDITIONS, SPECIFICALLY THE WARRANTY THEREIN, WHICH COVERS THESE PRODUCTS.

**LIFE SUPPORT POLICY**

FAIRCHILD'S PRODUCTS ARE NOT AUTHORIZED FOR USE AS CRITICAL COMPONENTS IN LIFE SUPPORT DEVICES OR SYSTEMS WITHOUT THE EXPRESS WRITTEN APPROVAL OF FAIRCHILD SEMICONDUCTOR CORPORATION.

As used herein:

1. Life support devices or systems are devices or systems which, (a) are intended for surgical implant into the body or (b) support or sustain life, and (c) whose failure to perform when properly used in accordance with instructions for use provided in the labeling, can be reasonably expected to result in a significant injury of the user.
2. A critical component in any component of a life support, device, or system whose failure to perform can be reasonably expected to cause the failure of the life support device or system, or to affect its safety or effectiveness.

**ANTI-COUNTERFEITING POLICY**

Fairchild Semiconductor Corporation's Anti-Counterfeiting Policy. Fairchild's Anti-Counterfeiting Policy is also stated on our external website, [www.fairchildsemi.com](http://www.fairchildsemi.com), under Sales Support.

Counterfeiting of semiconductor parts is a growing problem in the industry. All manufacturers of semiconductor products are experiencing counterfeiting of their parts. Customers who inadvertently purchase counterfeit parts experience many problems such as loss of brand reputation, substandard performance, failed applications, and increased cost of production and manufacturing delays. Fairchild is taking strong measures to protect ourselves and our customers from the proliferation of counterfeit parts. Fairchild strongly encourages customers to purchase Fairchild parts either directly from Fairchild or from Authorized Fairchild Distributors who are listed by country on our web page cited above. Products customers buy either from Fairchild directly or from Authorized Fairchild Distributors are genuine parts, have full traceability, meet Fairchild's quality standards for handling and storage and provide access to Fairchild's full range of up-to-date technical and product information. Fairchild and our Authorized Distributors will stand behind all warranties and will appropriately address any warranty issues that may arise. Fairchild will not provide any warranty coverage or other assistance for parts bought from Unauthorized Sources. Fairchild is committed to combat this global problem and encourage our customers to do their part in stopping this practice by buying direct or from authorized distributors.

**PRODUCT STATUS DEFINITIONS**

**Definition of Terms**

Datasheet Identification	Product Status	Definition
Advance Information	Formative / In Design	Datasheet contains the design specifications for product development. Specifications may change in any manner without notice.
Preliminary	First Production	Datasheet contains preliminary data; supplementary data will be published at a later date. Fairchild Semiconductor reserves the right to make changes at any time without notice to improve design.
No Identification Needed	Full Production	Datasheet contains final specifications. Fairchild Semiconductor reserves the right to make changes at any time without notice to improve the design.
Obsolete	Not In Production	Datasheet contains specifications on a product that is discontinued by Fairchild Semiconductor. The datasheet is for reference information only.

Rev. I66

ON Semiconductor and  are trademarks of Semiconductor Components Industries, LLC dba ON Semiconductor or its subsidiaries in the United States and/or other countries. ON Semiconductor owns the rights to a number of patents, trademarks, copyrights, trade secrets, and other intellectual property. A listing of ON Semiconductor's product/patent coverage may be accessed at [www.onsemi.com/site/pdf/Patent-Marking.pdf](http://www.onsemi.com/site/pdf/Patent-Marking.pdf). ON Semiconductor reserves the right to make changes without further notice to any products herein. ON Semiconductor makes no warranty, representation or guarantee regarding the suitability of its products for any particular purpose, nor does ON Semiconductor assume any liability arising out of the application or use of any product or circuit, and specifically disclaims any and all liability, including without limitation special, consequential or incidental damages. Buyer is responsible for its products and applications using ON Semiconductor products, including compliance with all laws, regulations and safety requirements or standards, regardless of any support or applications information provided by ON Semiconductor. "Typical" parameters which may be provided in ON Semiconductor data sheets and/or specifications can and do vary in different applications and actual performance may vary over time. All operating parameters, including "Typicals" must be validated for each customer application by customer's technical experts. ON Semiconductor does not convey any license under its patent rights nor the rights of others. ON Semiconductor products are not designed, intended, or authorized for use as a critical component in life support systems or any FDA Class 3 medical devices or medical devices with a same or similar classification in a foreign jurisdiction or any devices intended for implantation in the human body. Should Buyer purchase or use ON Semiconductor products for any such unintended or unauthorized application, Buyer shall indemnify and hold ON Semiconductor and its officers, employees, subsidiaries, affiliates, and distributors harmless against all claims, costs, damages, and expenses, and reasonable attorney fees arising out of, directly or indirectly, any claim of personal injury or death associated with such unintended or unauthorized use, even if such claim alleges that ON Semiconductor was negligent regarding the design or manufacture of the part. ON Semiconductor is an Equal Opportunity/Affirmative Action Employer. This literature is subject to all applicable copyright laws and is not for resale in any manner.

## PUBLICATION ORDERING INFORMATION

### LITERATURE FULFILLMENT:

Literature Distribution Center for ON Semiconductor  
19521 E. 32nd Pkwy, Aurora, Colorado 80011 USA  
**Phone:** 303-675-2175 or 800-344-3860 Toll Free USA/Canada  
**Fax:** 303-675-2176 or 800-344-3867 Toll Free USA/Canada  
**Email:** [orderlit@onsemi.com](mailto:orderlit@onsemi.com)

**N. American Technical Support:** 800-282-9855 Toll Free  
USA/Canada  
**Europe, Middle East and Africa Technical Support:**  
Phone: 421 33 790 2910  
**Japan Customer Focus Center**  
Phone: 81-3-5817-1050

**ON Semiconductor Website:** [www.onsemi.com](http://www.onsemi.com)  
**Order Literature:** <http://www.onsemi.com/orderlit>  
For additional information, please contact your local  
Sales Representative