

NOTES:

- DCP-US3AB-US3C SHOWN IN EXPLODED VIEW. (USB 3.0 TYPE A RECEPTACLE TO USB 3.0 MICRO TYPE AB WITH QUICK CONNECT COUPLING.)
- THE USB 3.0 RECEPTACLE STYLES ARE STANDARD TYPE "A" TO MICRO "AB".
- THE DIMENSION DOES NOT INCLUDE GASKET COMPRESSION.
- THE PINOUT AND DIMENSIONS ARE TYPICAL FOR ALL VERSIONS.
- UNLESS OTHERWISE SPECIFIED, DIMENSIONS WITH TWO DECIMAL PLACES HAVE TOLERANCES OF ± 0.02 [± 0.5 mm].

MATERIALS:

GASKET: ELASTOMER, BLACK
 HEX NUT: THERMOPLASTIC, BLACK
 USB PANEL HOUSING: THERMOPLASTIC, BLACK
 USB "A" RECEPTACLE:
 SHELL: COPPER ALLOY, NICKEL PLATED
 CONTACTS: COPPER ALLOY, GOLD PLATED
 INSULATOR: THERMOPLASTIC, BLUE
 USB MICRO "AB" RECEPTACLE:
 SHELL: COPPER ALLOY, NICKEL PLATED
 CONTACTS: COPPER ALLOY, GOLD PLATED
 INSULATOR: THERMOPLASTIC, BLACK
 PCB: FR-4

ELECTRICAL:

CURRENT RATING: 1.5 A
 CONTACT RESISTANCE: 50 MILLIOHMS MAX
 INSULATION RESISTANCE: 100 MEGAOHMS MINIMUM
 DIELECTRIC WITHSTANDING VOLTAGE: 100V AC FOR 1 MINUTE

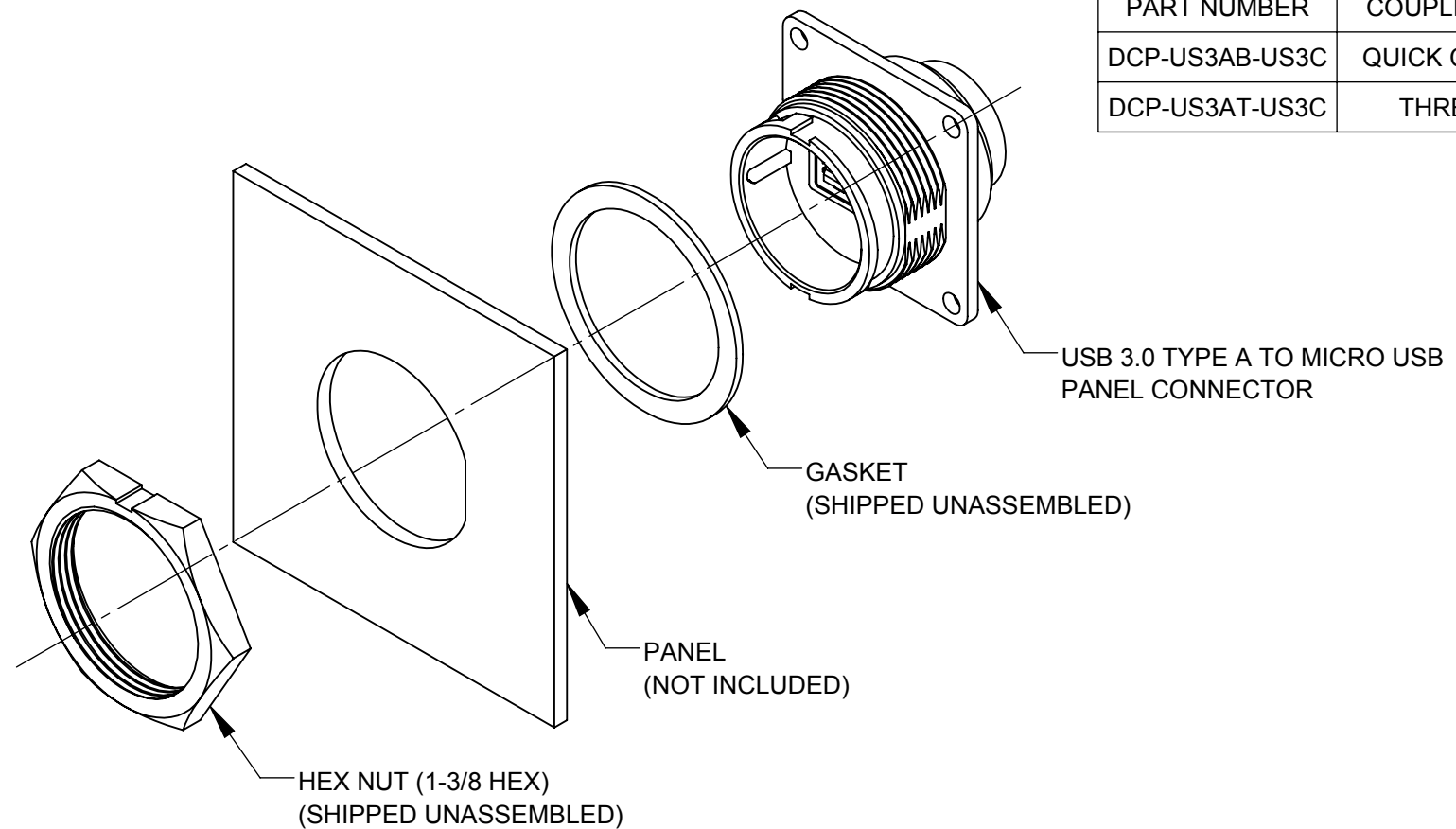
PRODUCT RATING:

IP-67 & IP-68, NEMA 250 (6P), WHEN MATED

OTHER:

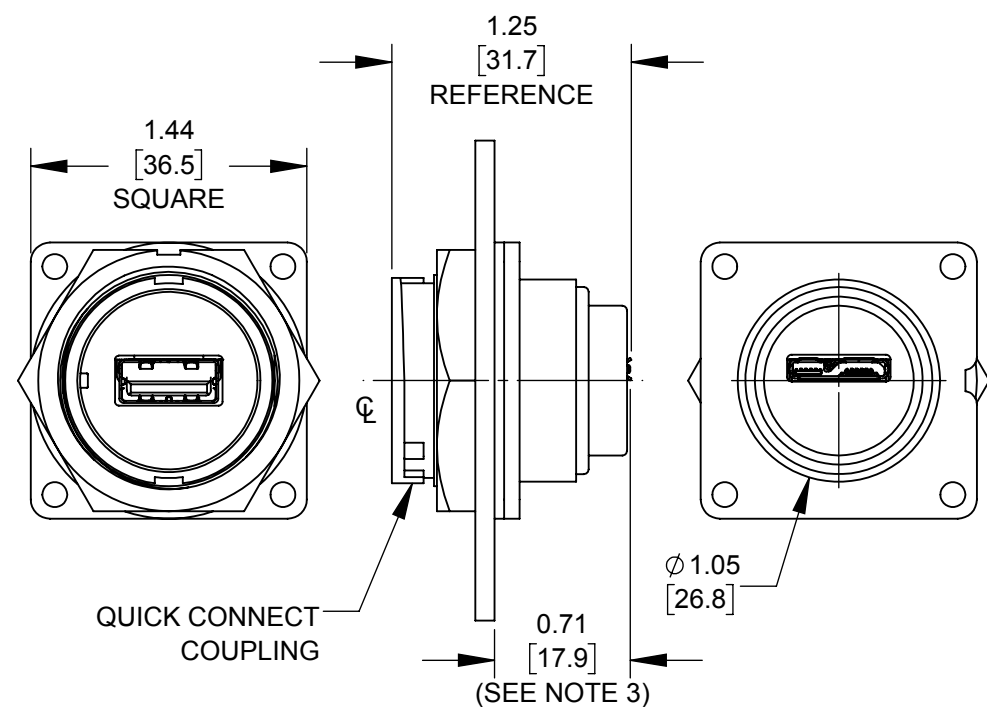
OPERATING TEMPERATURE: -25°C TO $+80^{\circ}\text{C}$ [-13°F TO $+176^{\circ}\text{F}$]
 RECOMMENDED PANEL THICKNESS:
 QUICK CONNECT COUPLING: 1/32" TO 3/16" (0.8mm to 4.8mm)
 THREADED COUPLING: 1/32" TO 5/32" (0.8mm to 3.9mm)

PART NUMBER	COUPLING TYPE	DESCRIPTION
DCP-US3AB-US3C	QUICK CONNECT	USB 3.0 TYPE A TO MICRO 3.0 AB
DCP-US3AT-US3C	THREADED	USB 3.0 TYPE A TO MICRO 3.0 AB



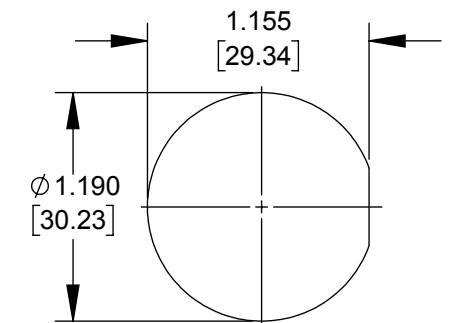
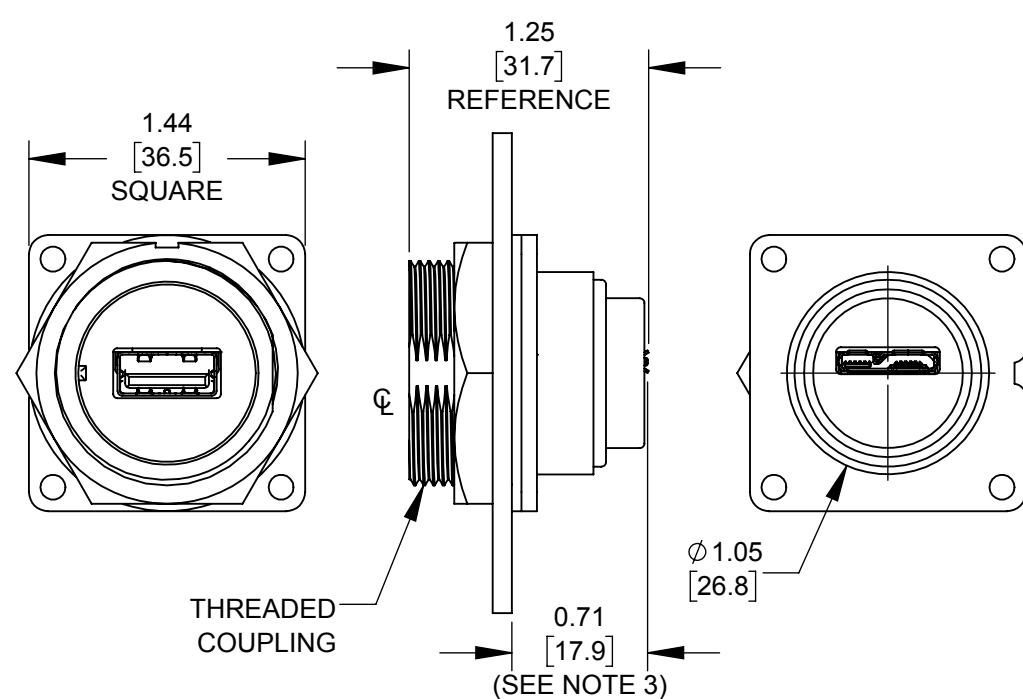
DCP-US3AB-US3C SHOWN

(USB 3.0 TYPE A TO MICRO 3.0 WITH QUICK CONNECT COUPLING)



DCP-US3AT-US3C SHOWN

(USB 3.0 TYPE A TO MICRO 3.0 WITH THREADED COUPLING)



RECOMMENDED PANEL CUT-OUT
 QUICK CONNECT COUPLING
 OR THREADED COUPLING

DIMENSIONS IN BRACKET [] ARE METRIC.

RoHS COMPLIANT

PRELIMINARY

CUSTOMER DRAWING

0A	JGK	4/24/17	DRAWING CREATED FOR PROJECT #12012.	
REV.	INIT.	DATE	DESCRIPTION	
	JGK	4/24/17	ORIG. DRAWN BY: DATE: 4/24/17	
ALL INFORMATION ILLUSTRATED IS THE PROPERTY OF CONXALL CORPORATION. UNAUTHORIZED DUPLICATION OR DISTRIBUTION OF THIS DOCUMENT IS PROHIBITED.			CHECKED BY:	
ALL UNITS ARE IN FEET, INCHES, FRACTION OF INCHES AND DECIMALS. UNLESS OTHERWISE SPECIFIED TOLERANCES: 3 PLACE DECIMALS ± 0.005 ANGLES $\pm 1^{\circ}$ FRACTIONS $\pm 1/16$			APPROVED BY:	
- CRITICAL CHARACTERISTIC FLAG PER SPEC. XXXX			SCALE: 1:1	SHEET: 1 OF 1
FILE: DCP-US3AX SERIES_CD	DIRECTORY: SLW	PART NUMBER:	TITLE: USB A 3.0 TO MICRO AB 3.0 INDUSTRIAL PANEL CONNECTOR DATA-CON-X	
			CUSTOMER: STANDARD PRODUCT	
			PART NUMBER: DCP-US3AX-US3C SERIES	
			REV 0A	



601 E. WILDWOOD VILLA PARK, IL 60181