

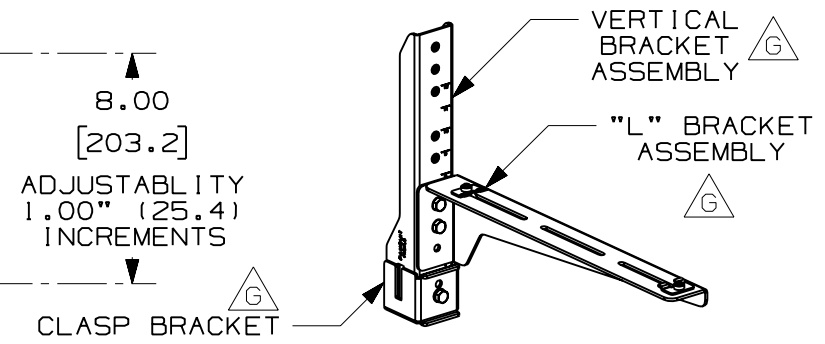
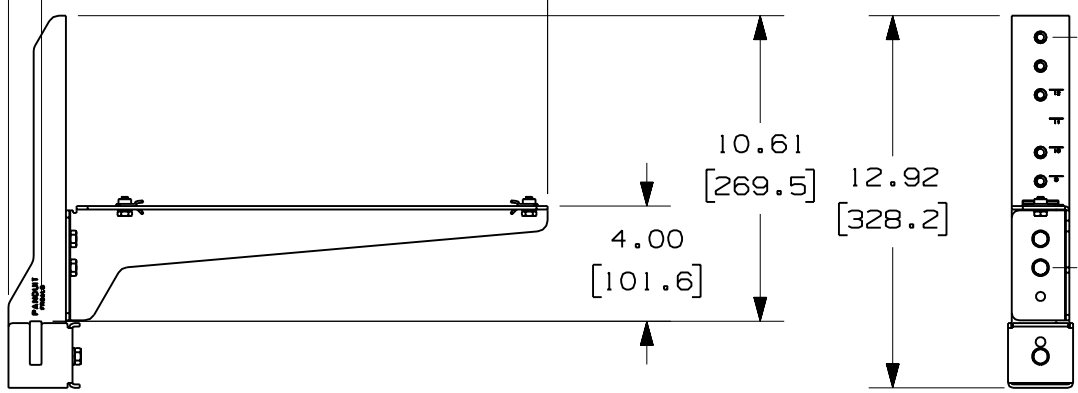
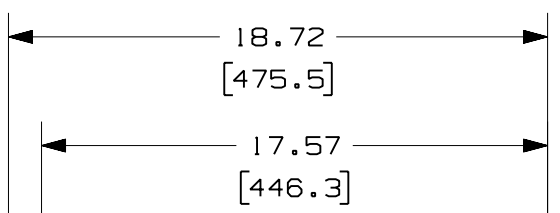
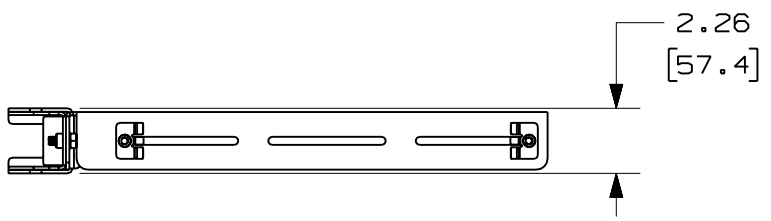
A

PANDUIT PART NUMBER	WEIGHT
FR12ALB	4.29 LB/EACH (1946g/EACH)

E

**NOTES:**

1. SEE CURRENT CATALOG FOR ADDITIONAL PART SUFFIXES TO INDICATE PACKAGE QUANTITY.
2. THE FIBERRUNNER 12x4 QUIKLOCK ADJUSTABLE LADDER RACK BRACKET ALLOWS FOR THE FIBERRUNNER 12x4 CABLE ROUTING SYSTEM TO BE MOUNTED TO THE STRINGER OF 3/8"x1 1/2" (9.5x38.1) OR 3/8"x2" (9.5x50.8) LADDER RACK.
3. THE FIBERRUNNER 12x4 QUIKLOCK ADJUSTABLE LADDER RACK BRACKET INCLUDES:  
ONE (1) CLASP BRACKET,  
ONE (1) VERTICAL BRACKET ASSEMBLY,  
ONE (1) "L" BRACKET ASSEMBLY,  
THREE (3) 5/16 HELICAL SPRING LOCKWASHERS,  
THREE (3) 5/16-18x3/4 HEX HEAD CAP SCREWS,  
ONE (1) 1/4-20 T-BOLT,  
ONE (1) 1/4-20 HEX KEPS LOCK NUT
4. FINISH COLOR: BLACK (EXCEPT FOR HARDWARE)
5. DIMENSIONS IN PARENTHESES ARE IN METRIC.



ENG. REF.: D37797EG\_DC\_FR12ALB\_01.prt

CAD FILENAME/LAYERS: FR12ALB.pdf

REV	DATE	BY	CHK	DESCRIPTION	ECN	R	CUST	SUP	GMBH
-	-----	---	--	G. ADDED LOCAL NOTES.	-----	--	--		
-	-----	---	--	F. REVISED GENERAL NOTES. E. REVISED PART WEIGHT.	-----	--	--		
-	-----	---	--	D. REVISED MATERIAL. C. REVISED DRAWING TITLE.	-----	--	--		
1	1-5-07	MSO	RN	B. REVISED CAD FILENAME. A. REVISED AND REDRAWN.	37797-93	RN	RN		

**PANDUIT** CORP TINLEY PARK, ILLINOIS  
**FIBERRUNNER 12x4 QUIKLOCK ADJUSTABLE LADDER RACK BRACKET (FR12ALB)**  
 CUSTOMER DRAWING

UNLESS OTHERWISE SPECIFIED, DIMENSIONAL TOLERANCES ARE: (.X) ± (.XXX) ± (.XX) ± .03 (.8) ANGLES ±		UNLESS OTHERWISE SPECIFIED, ALL DIMENSIONS ARE GIVEN IN INCHES, THIRD ANGLE PROJECTION.	
DRAWN BY: JHNU	MAT'L: STEEL	SCALE: NONE	DWG: A
DATE: 4-26-01	CHK'D: CVV	DRAWING NO.: 37797-93	SIZE: A