



PRODUCT DATASHEET

Tina series

last update 30/8/2012

DETAILS

Product Number	CP12672_TINA2-M
Family	Tina
Type	Assembly
Color	black
Diameter	16,1 mm
Height	9,65 mm
Style	round
Optic Material	PMMA
Holder Material	
Fastening	glue
Status	production ready
ROHS Compliant	Yes
Date Updated	30/08/2012



OPTICAL PROPERTIES

LED	Viewing Angle	Light Beam	Efficiency	cd/lm	Connector
XB-D	29 deg	Medium	82 %	2.700	-

D

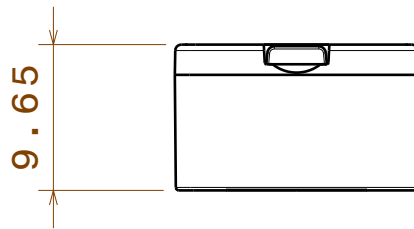
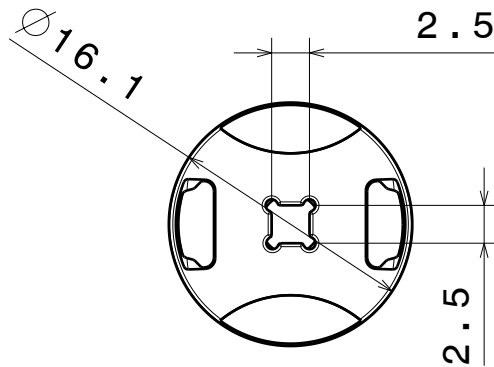
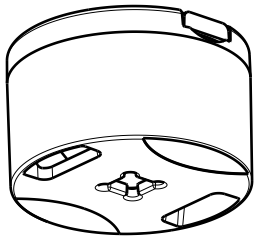
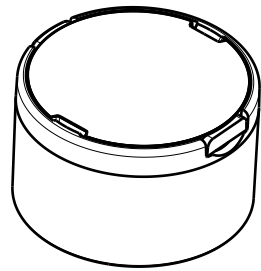
C

B

A

4

4



3

3

2

2

Materials:
 lens PMMA
 holder PC, black

Fastening to application:
 Glue

Tolerances for dimensions:
 0-20mm tolerance value +/-0.1mm

This drawing is our property.
 It can't be reproduced
 or communicated without
 our written agreement.



Ledil Oy
 Salorankatu 10
 FIN 24240 SALO
 Finland

DRAWING TITLE

Datasheet Tina2 XB assy

1

1

DRAWN BY pv	DATE 19.03.2012
-----------------------	---------------------------

CHECKED BY sn	DATE 19.03.2012
-------------------------	---------------------------

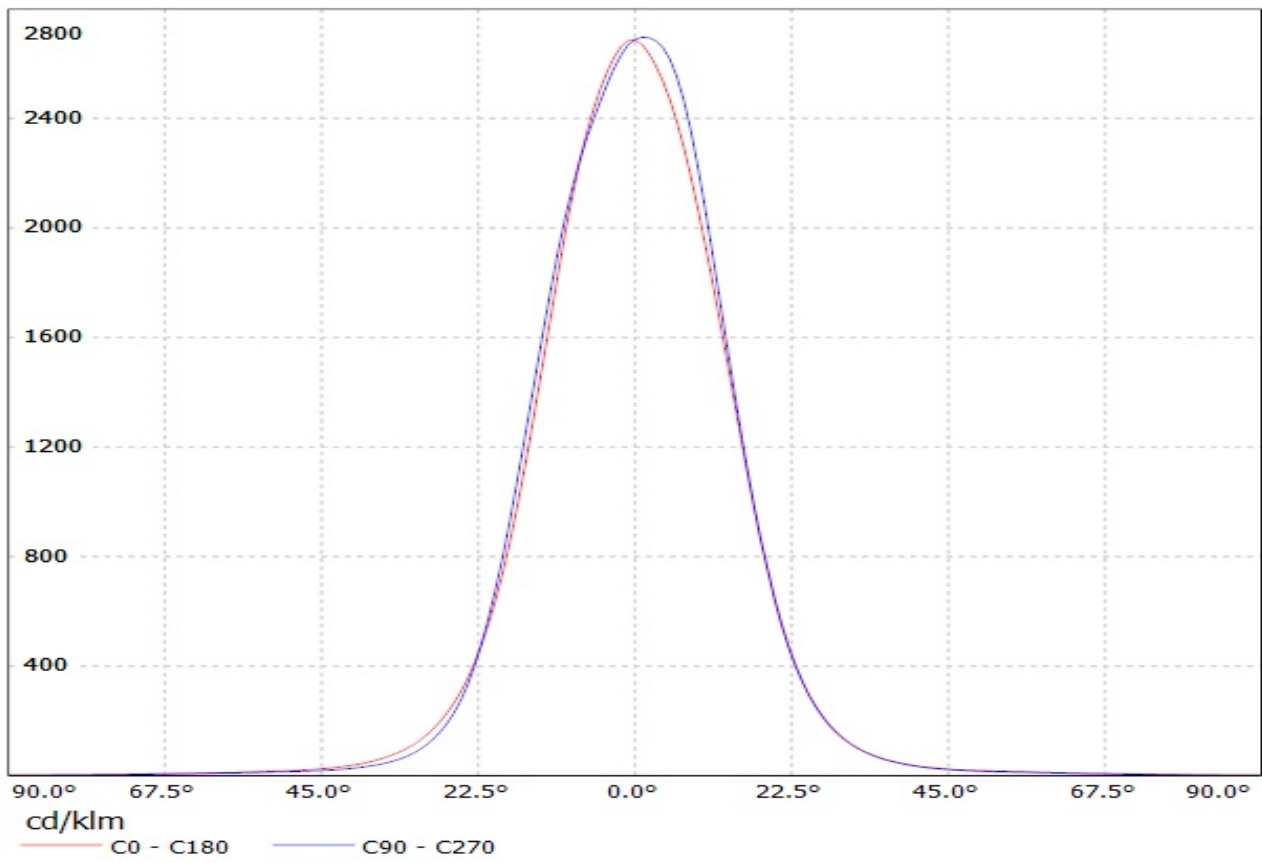
DESIGNED BY pv	DATE 12.03.2012
--------------------------	---------------------------

SIZE A4	DRAWING NUMBER -	REV 1
SCALE 2:1	WEIGHT (g)	SHEET 1/1

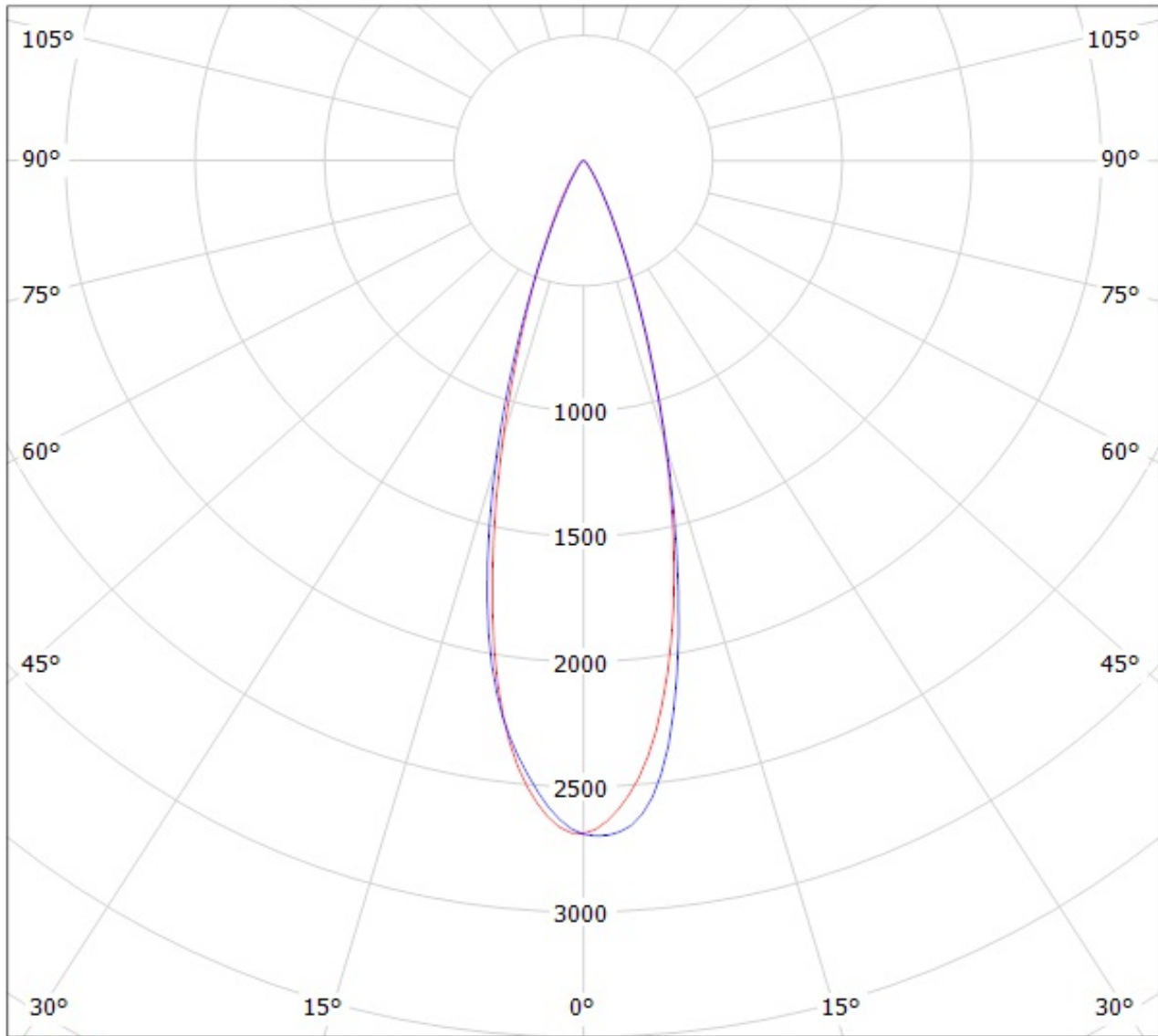
D

A

Luminaire: LEDIL OY CP12672_TINA2-M (XB-D) Efficiency=82%
Lamps: 1 x Cree XB-D white (97lm @ 250mA)



Luminaire: LEDIL OY CP12672_TINA2-M (XB-D) Efficiency=82%
Lamps: 1 x Cree XB-D white (97lm @ 250mA)



cd/klm

— C0 - C180

— C90 - C270

NOTE: The typical divergence will be changed by different color, chip size and chip position tolerance. The typical total divergence is the full angle measured where the luminous intensity is half of the peak value.