

MATERIALS AND FINISHES

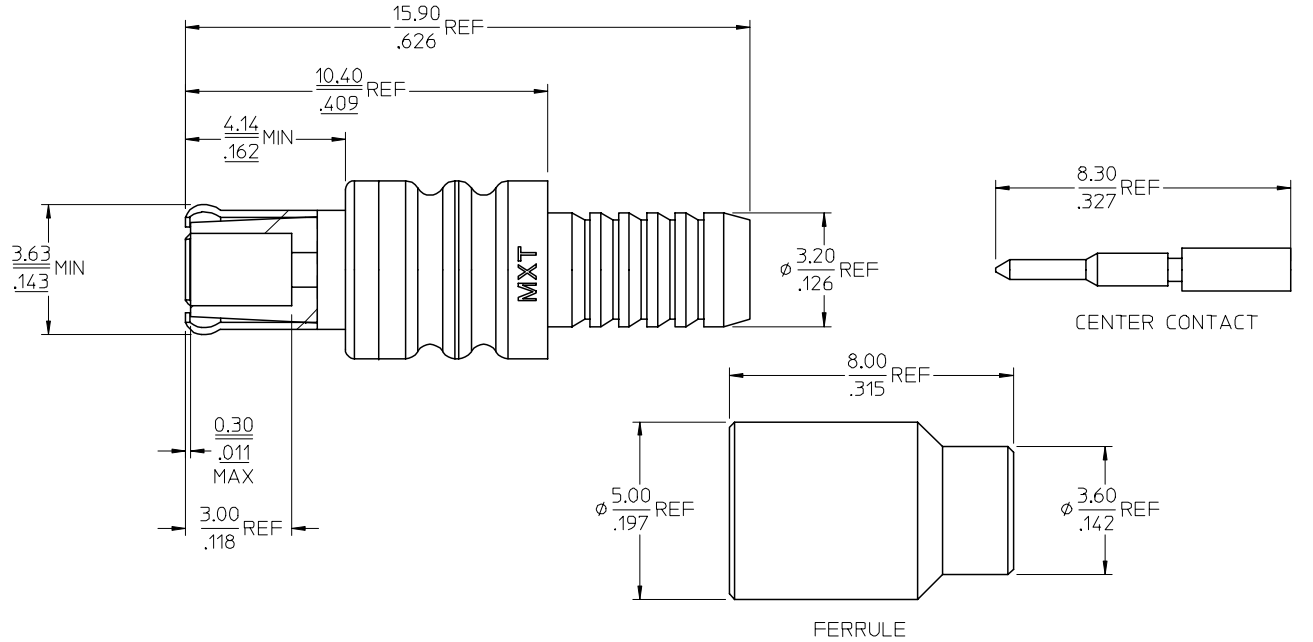
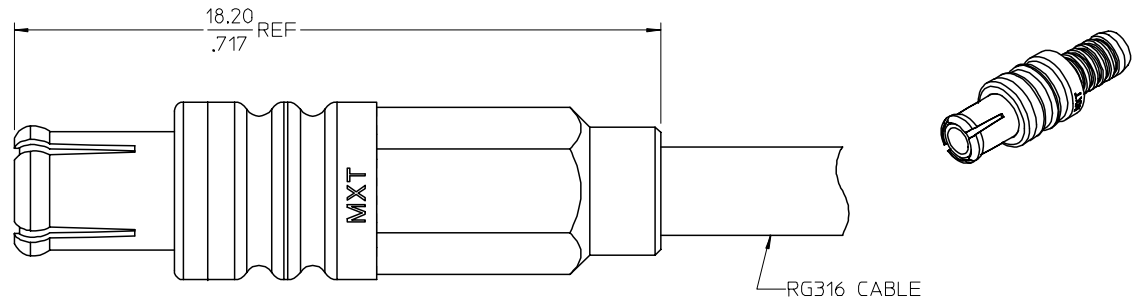
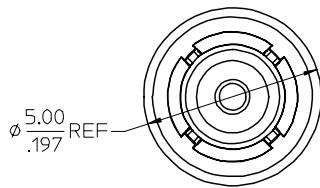
BODY ZINC ALLOY  
PLATED SEE TABLE

OUTER CONTACT BERYLLIUM COPPER  
PLATED GOLD (10 MICROINCHES MIN)

CENTER CONTACT BRASS  
PLATED GOLD (10 MICROINCHES MIN)

INSULATOR TEFLON

FERRULE BRASS  
PLATED SEE TABLE



PART # SEE TABLE

73366-0301	GOLD (1 MICROINCHES MIN)
73366-0300	NICKEL (70 MICROINCHES MIN)
PART NO.	PLATING

AS-73392-0060	CABLE ASSEMBLY INSTR.
---------------	-----------------------

SPECIFICATION	DESCRIPTION
---------------	-------------

UNLESS OTHERWISE SPECIFIED DIMS ARE MILLIMETERS AND ANGLES ARE DEGREES.

- ALL OVER.
- NO CHATTER OR NON-UNIFORM SURFACE FINISH ALLOWED.
- PARTS TO BE FREE OF BURRS & SHARP EDGES 0.13(005) MAX BREAK.
- EXTERNAL THREADS TO BE ROLLED OR SINGLE POINT.
- DIAMETERS TO BE CONCENTRIC WITHIN 0.08(003) TIR.

CHG: LOADED INTO WORKMANAGER  
REDREW IN SD  
CHANGED ALL DIMS FROM IN/MM TO MM/IN  
ADDED CABLED AND ISO VIEWS  
ADDED PLATING THICKNESSES  
REMOVED SHEET 2  
ADDED PLATING TABLE  
ADDED AS-73392-0060  
FC NO: URF2005-0227  
DRAWN: FLAHERTY 2004/12/02  
CHKD: SSHAH 2004/12/02  
APPR: JMLENER 2004/12/02

QUALITY SYMBOLS	DESCRIPTION

GENERAL TOLERANCES (UNLESS SPECIFIED)	
4 PLACES	± .005
3 PLACES	± .004
2 PLACES	± .003
1 PLACE	± .002
ANGULAR ± 2 °	

DIMENSION STYLE	
MM/IN	
DRAWN BY	DATE
CLAIRE	2001/04/02
CHECKED BY	DATE
APPROVED BY	DATE

SCALE	DESIGN UNITS	THIRD ANGLE PROJECTION
	METRIC	
TITLE		
MCX PLUG, STR, FOR RG316 50 OHMS, CRIMP/CRIMP EWR-2672 MCX-PC		
MATERIAL NO.		
SEE TABLE		
DOCUMENT NO.		
SD-73366-030		
SHEET NO.		
1 OF 1		