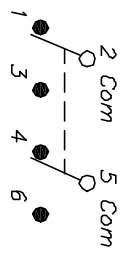


RECOMMENDED P.C.B. LAYOUT

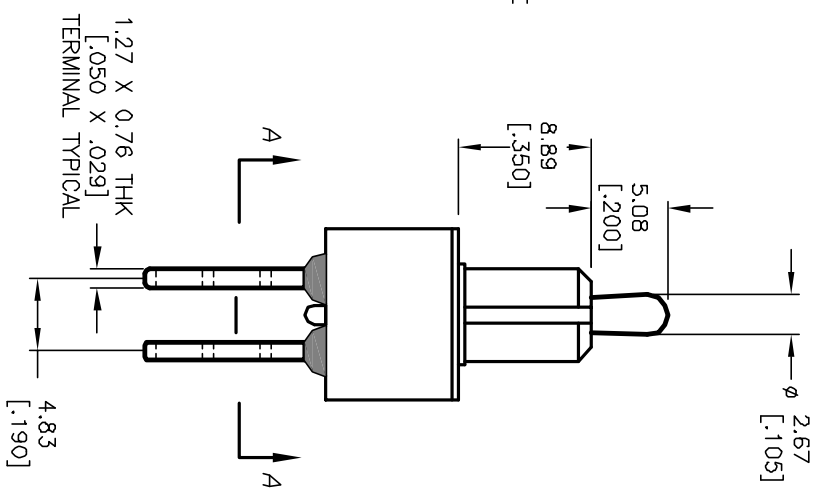
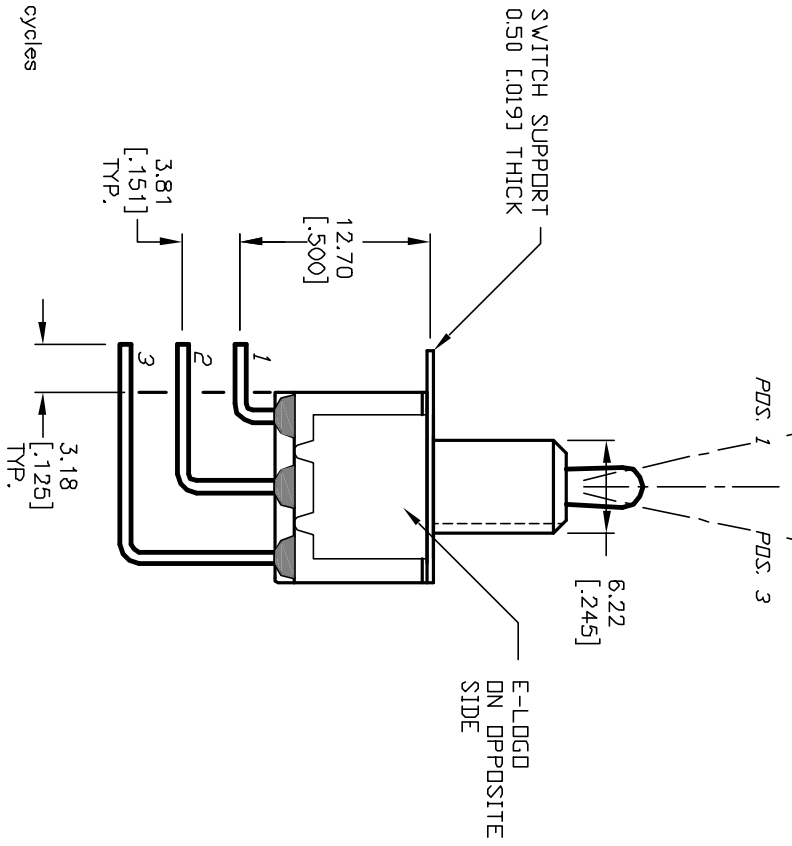
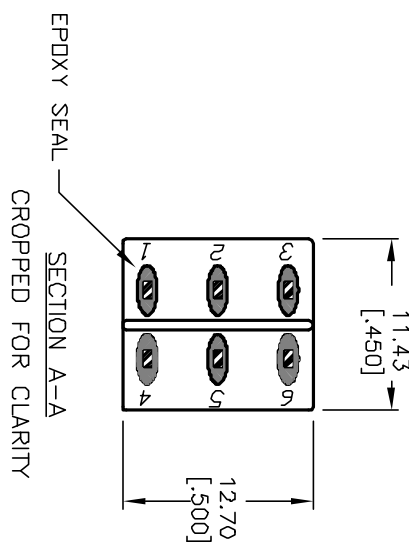
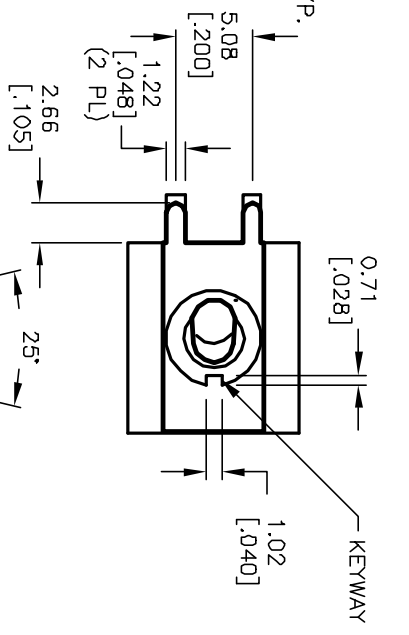


CIRCUIT: DPDT CONTACT CONFIGURATION

SWITCH FUNCTION		
PDS. 1	PDS. 2	PDS. 3
DN	DIFF	DN
2-3,5-6	DPEN	2-1,5-4

NOTES:

1. ALL DIMENSIONS IN MM [INCH]
2. GENERAL TOLERANCE: X.X=±0.4
X.XX=±0.25
3. TERM. NOS. FOR REF. ONLY
4. RATING: 0.4VA @20V AC/DC max.
5. FIXED TERM. & MOVING CONTACT:
Copper Alloy W/GOLD plate over
Nickel plate.
6. ELECTRICAL LIFE: 50,000 make-and-break cycles
at full load.
7. INSULATION RESISTANCE: 1,000M ohm min.
8. DIELECTRIC STRENGTH: 1,000V RMS @sea level.
9. OPERATING TEMP.: -30°C to +85°C.



REV. A	12500	RELEASED FOR PRODUCTION	10/22/02	CJB
REV. ECN NO.		DESCRIPTION	DATE	CHKD

TITLE	SCALE	DATE	DR	DWG	REV
100 DP-3 T2 B2 M7 R E (GOLD CONTACTS)	2:1	10/22/02	CJB	T123211	A

THE INFORMATION CONTAINED IN THIS DOCUMENT IS PROPRIETARY TO E-SWITCH AND IS NOT TO BE COPIED OR TRANSMITTED