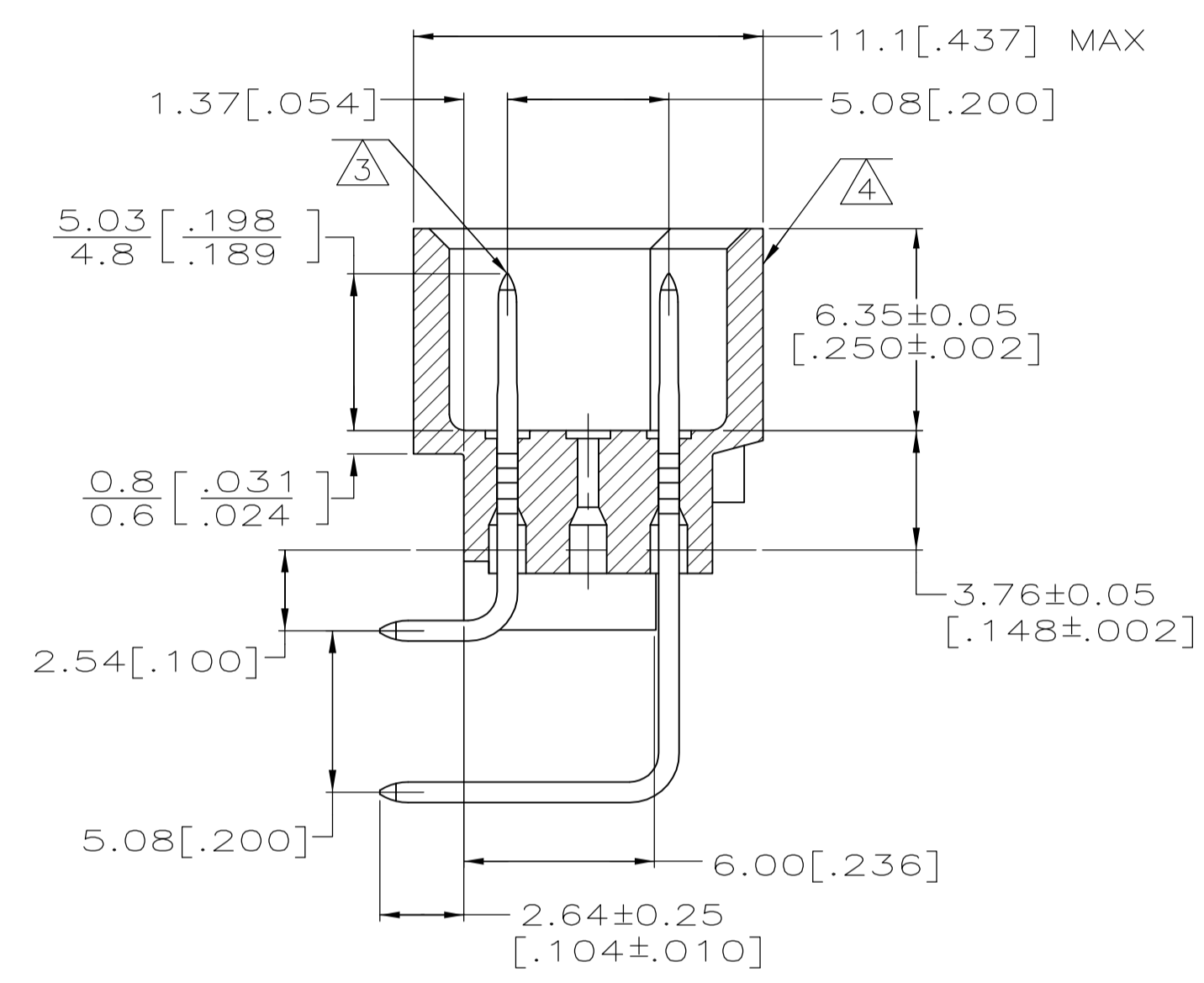
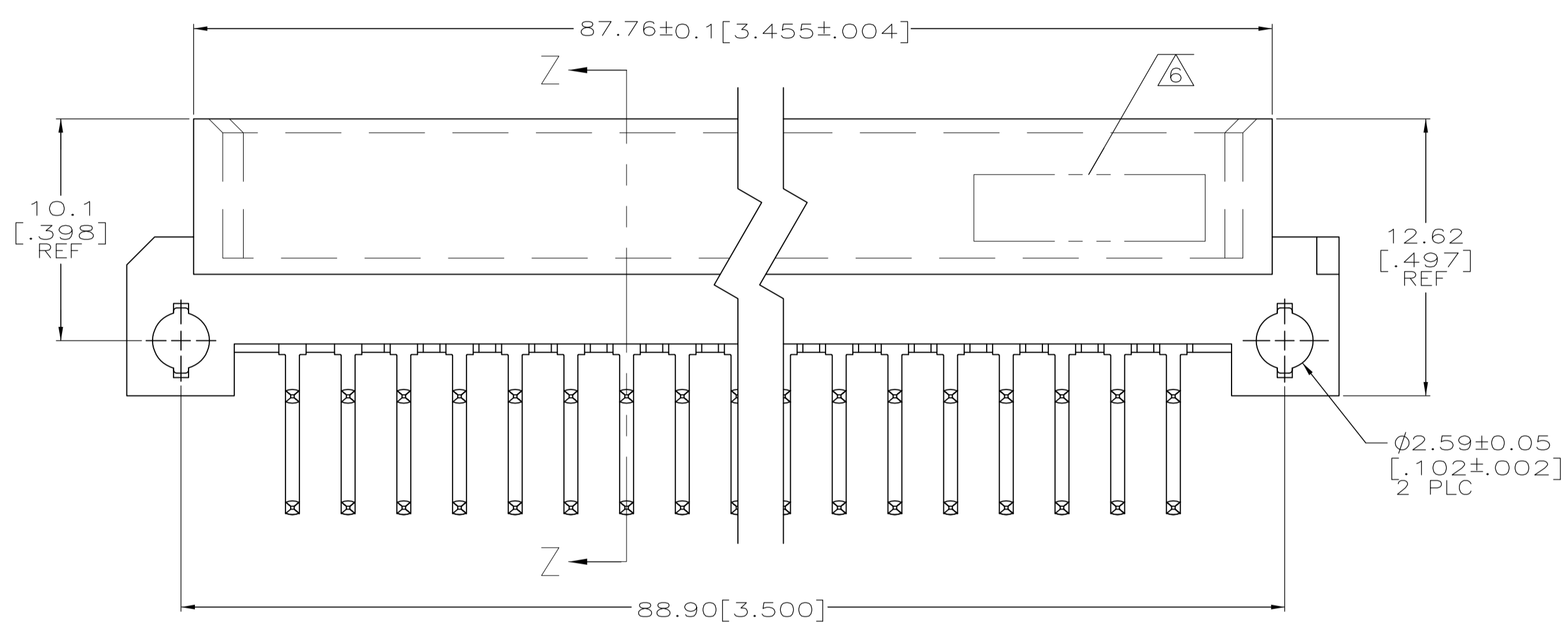
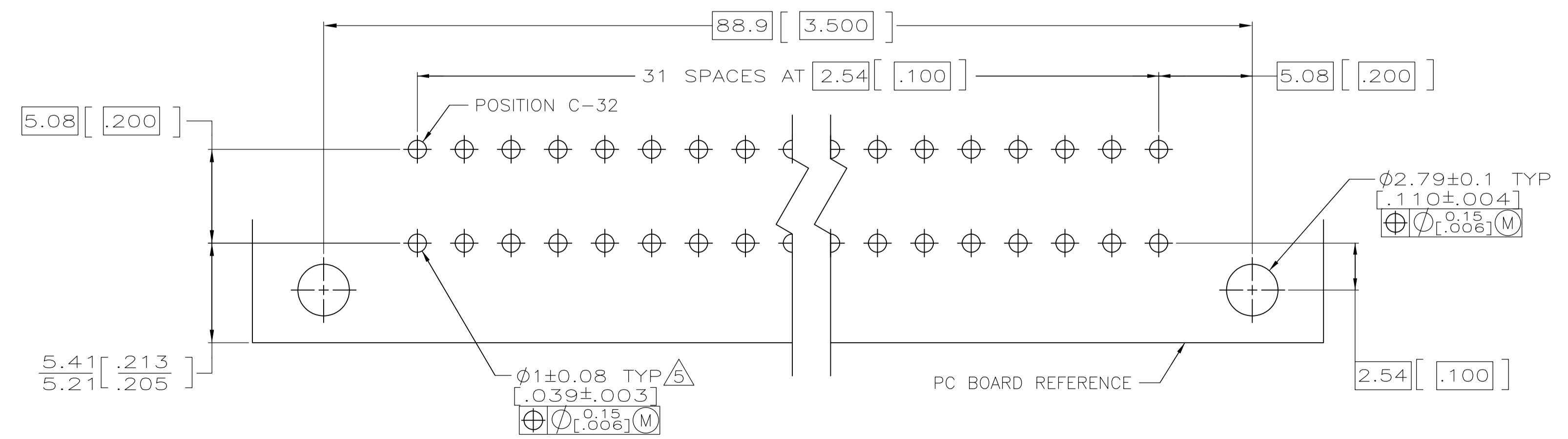
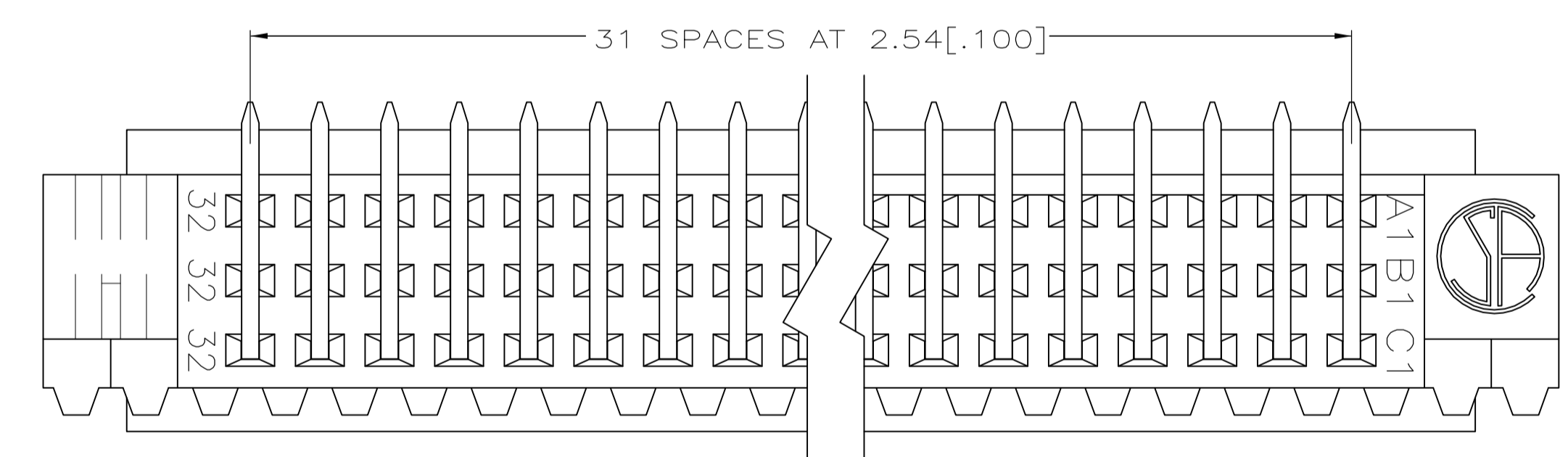


- ① HOUSING MATERIAL: GLASS-FILLED POLYMER.
- ② POST MATERIAL: COPPER ALLOY.
- ③ POST FINISH: DIN 41612 CLASS 2 IN CONTACT AREA. TIN PLATE ON POSTS.
- ④ MARKING ON THIS SIDE.
- ⑤ RECOMMENDED HOLE SIZE FOR MANUAL APPLICATION OF CONNECTOR ONTO PC BOARD.
- ⑥ AMP PART NUMBER, DATE CODE MARKED THIS APPROXIMATE AREA.



SECTION Z-Z



PC BOARD LAYOUT

1-32	X	-	X	64	5650945-5
POSITIONS LOADED	C	B	A	NO. OF LOADED POSITIONS	PART NUMBER
	ROWS LOADED				

THIS DRAWING IS A CONTROLLED DOCUMENT.		DIN J. POLIGNONE	OSMAYOS	Tyco Electronics Corporation	
DIMENSIONS: mm [INCHES]		CIK A. SHARPE	OSMAYOS	Harrisburg, Pa 17105-3608	
TOLERANCES UNLESS OTHERWISE SPECIFIED:		APVD A. SHARPE	OSMAYOS	NAME ASSEMBLY, PIN, EUROCARD, TYPE C, A and C, 64/96 POSITION, 2.64[.104] SOLDER POST SELECT LOAD	
0 PLC ± -	1 PLC ± -	PRODUCT SPEC		APPLICATION SPEC	
2 PLC ± 0.13[.005]	3 PLC ± -	APPLICATION SPEC		SIZE CAGE CODE DRAWING NO	
4 PLC ± -	ANGLES ± -	APPLICATION SPEC		RESTRICTED TO	
MATERIAL	FINISH	WEIGHT	A1 00779	C=5650945	
①/②	③	CUSTOMER DRAWING	SCALE 5:1	SHEET 1 of 1	REV 01