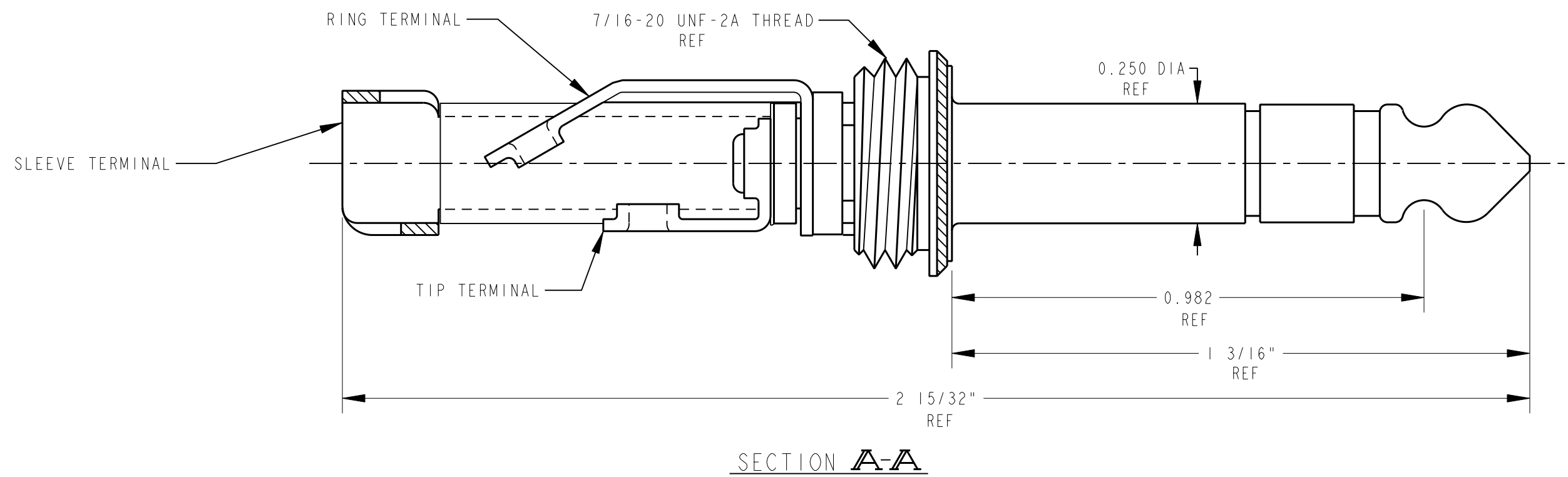
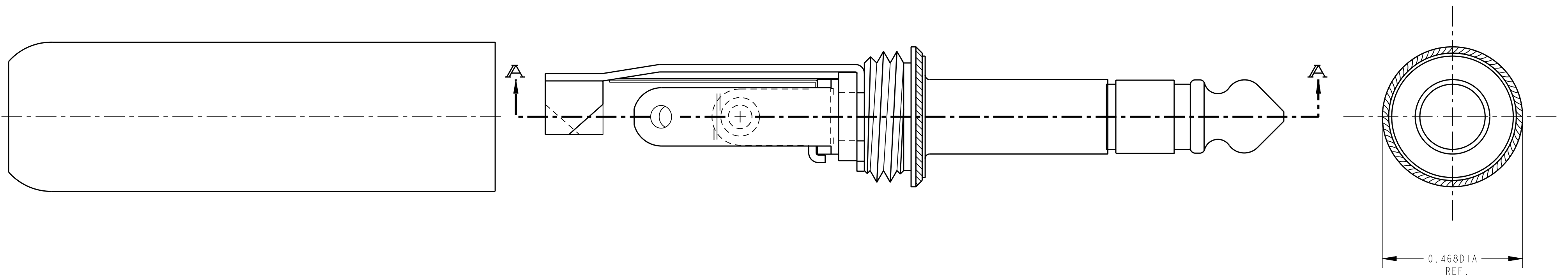


MATERIALS:

TIP ROD, RING, SLEEVE: BRASS, NICKEL PLATED
 SOLDER TERMINALS: NICKEL SILVER, ELECTROTINNED
 HANDLE: NYLON, TYPE 6/6
 INSULATORS: GLASS EPOXY, CELENESE, MYLAR



CUSTOMER DRAWING

CAD/CAM DWG. NO.

267_CD

SHEET 1 OF 1

<p>★ STAR SYMBOL DENOTES CRITICAL DIMENSION. SEE S/C ENGINEERING STANDARD ES-0001</p>				<p>THIS DRAWING DESCRIBES A DESIGN CONSIDERED PROPRIETARY IN NATURE, DEVELOPED AND MANUFACTURED BY SWITCHCRAFT INC. AND IS RELEASED ON A CONFIDENTIAL BASIS FOR IDENTIFICATION PURPOSE ONLY.</p>					
<p>UNLESS OTHERWISE SPECIFIED</p>				SIZE	WIDTH	MULT	LBS./M	TEMPER	
F	ECO #20627	2-19-96	RC	KS	FINISH		MATERIAL		
E	ECO #20186	1-9-96	DEA	TAO	SPEC. NO.		SPEC. NO.		
D	ECO #18757	2-22-94	ES	JP	FIRST USED ON		SCALE		
C	CAD REDRAW WAS REV. B ECO #18404B	9-26-93	LR	GHJ	DATE DRAWN	BY	CHK'D	APP'D	
ISSUE	CHANGE NO.	DATE	BY	APP'D	6-14-78	KJB	PW	JK	
<p>REVISIONS</p>				<p>DO NOT SCALE DRAWING</p>				<p>NAME: PLUG ASSEMBLY</p>	
								<p>PART NO. 267</p>	
								<p>ISSUE F</p>	