

THIS DRAWING IS UNPUBLISHED. RELEASED FOR PUBLICATION AUGUST, 2006.

© COPYRIGHT 2006 BY TYCO ELECTRONICS CORPORATION. ALL RIGHTS RESERVED.

LOC	DIST	REVISIONS					
E	B	P	LTR	DESCRIPTION	DATE	DWN	APVD
		B		ECR-06-017552	01AUG06	JMS	FWK

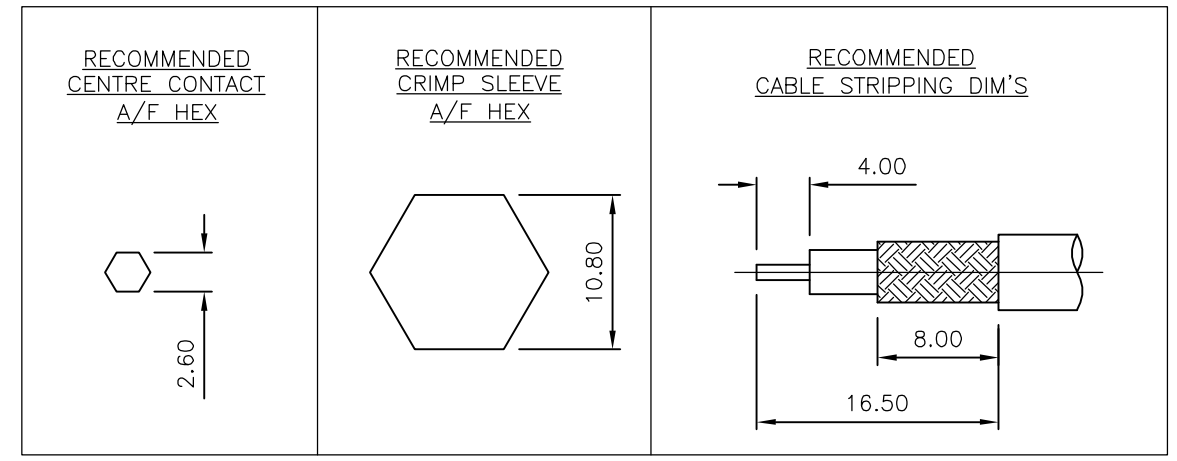
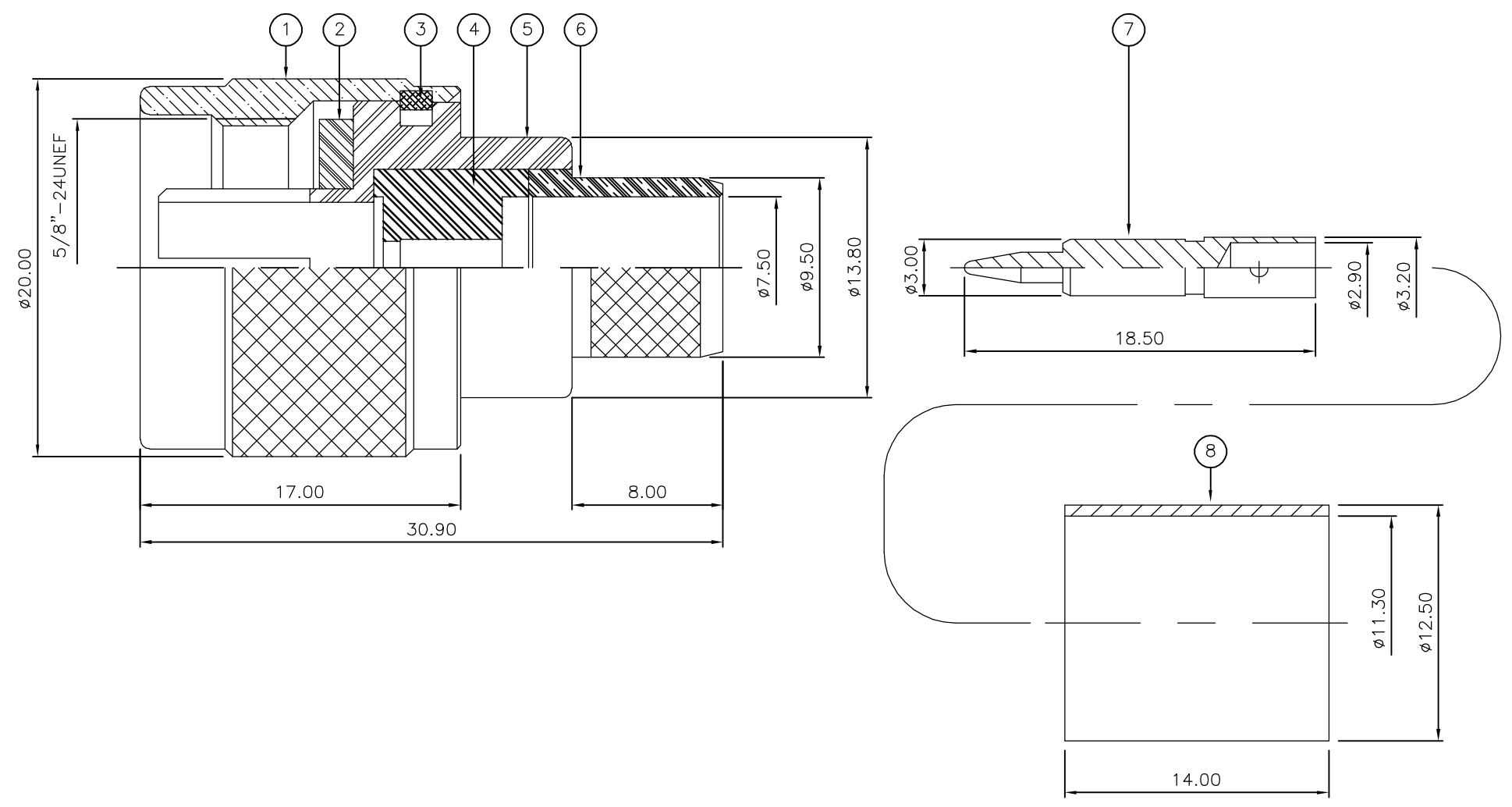
NOTES:

- 1 PACK IN ACCORDANCE WITH AMP SPEC 107-3275
- 2 100 TRAY PACK IN ACCORDANCE WITH AMP SPEC 107-3275
- 3 Au PLATING
- 4 Ni PLATING
- 5 THIS ITEM MUST BE WHITE
- 6 HAND TOOL : 9-1478240-0
- 7 DIE SET : 9-1478246-0
- 8 ELECTRICAL CHARACTERISTICS
 

FREQUENCY RANGE:	DC - 11 GHz
NOMINAL IMPEDANCE:	50 Ohm
INSULATION RESISTANCE:	5000 MOhm
WORKING VOLTAGE:	1000 Volts RMS at Sea Level
DIELECTRIC WITHSTAND VOLTAGE:	2500 Volts RMS Max
CONTACT RESISTANCE:	
CENTRE CONTACT:	1.00 mOhm Max
OUTER CONTACT:	1.00 mOhm Max
VSWR @ 4GHz:	1.30:1 Max
INSERTION LOSS dB @ x 4 GHz:	0.30 Max
- 9 MECHANICAL CHARACTERISTICS
 

COUPLING NUT RETENTION FORCE:	445N Min
CABLE RETENTION FORCE:	350N Min
DURABILITY:	500 Cycles Min
- 10 ENVIRONMENTAL CHARACTERISTICS
 

OPERATING TEMPERATURE:	-65 to +165 DegC
------------------------	------------------
- 11 FOR TECHNICAL DATA REFER TO YOUR LOCAL TYCO ELECTRONICS SALES OFFICE
- 12 ALL DIMENSIONS ARE NOMINAL FOR REFERENCE ONLY UNLESS OTHERWISE STATED



QTY	QTY	MATERIAL	DESCRIPTION	ITEM
1	1	BRASS	FERRULE	8
1	1	BRASS	CONTACT	7
1	1	BRASS	CHASSIS	6
1	1	BRASS	BODY	5
1	1	PTFE	INSULATION	4
1	1	BRASS	CIRCLIP	3
1	1	SILICONE RUBBER	GASKET	2
1	1	BRASS	COUPLING NUT	1
6--0	1--0	MATERIAL	DESCRIPTION	ITEM

THIS DRAWING IS A CONTROLLED DOCUMENT.		DWN	J.SANDWELL	01AUG06	 Tyco Electronics Corporation Bideford EX39 4HE NAME TYPE 'N' STRAIGHT PLUG CRIMP 50 OHM BELDEN 9913	SIZE	CAGE CODE	DRAWING NO	RESTRICTED TO	
DIMENSIONS: mm		CHK	S.PARLOW	01AUG06		A3	00779	C-1478183		
TOLERANCES UNLESS OTHERWISE SPECIFIED:		APVD	F.WHEELER-KING	01AUG06		SCALE	NTS	SHEET	1 OF 1	REV
0 PLC ± - 1 PLC ± - 2 PLC ± - 3 PLC ± - 4 PLC ± - ANGLES ± - FINISH -		PRODUCT SPEC	-	APPLICATION SPEC		411-3247	WEIGHT	-	CUSTOMER DRAWING	