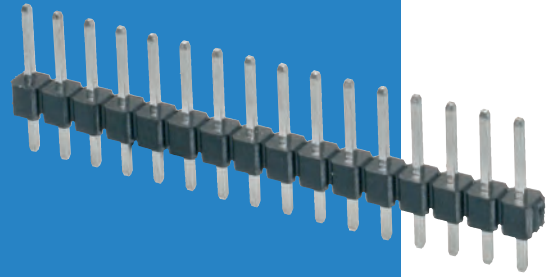


M20 Connectors

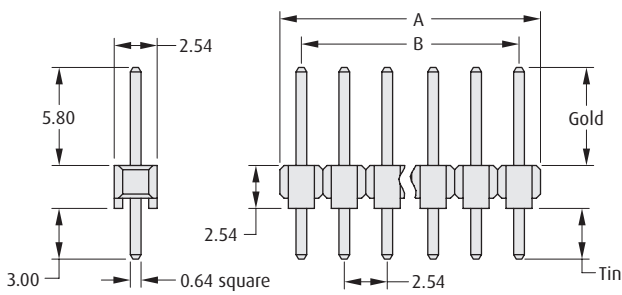
Male Vertical Single Row PC Tail

- ❖ Suitable for use with female connectors and jumper sockets shown on previous pages.
- ❖ Choice of mating pin lengths.
- ❖ Pin headers can be cut into smaller sizes.
- ❖ Also available with variable dimensions.

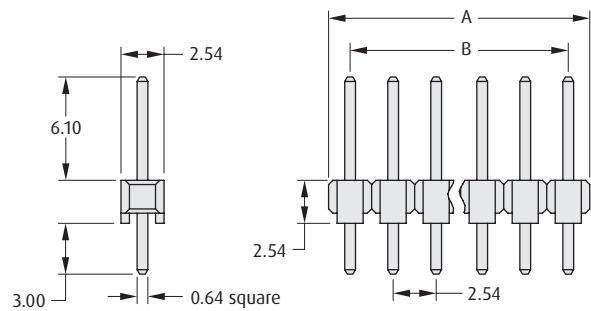


2.54mm (.100") PITCH

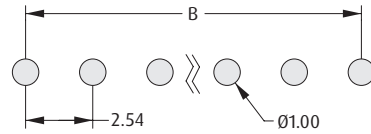
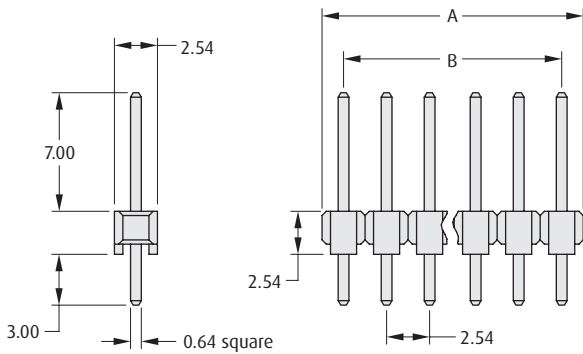
5.8mm



6.1mm



7.0mm



Recommended PC Board Pattern

CALCULATION

A	2.54 x No. of contacts per row
B	2.54 x (No. of contacts per row - 1)

HOW TO ORDER

M20 - 9 XX XX XX

SERIES CODE

TYPE

73	7.0mm Mating Height
77	5.8mm Mating Height
99	6.1mm Mating Height

FINISH

42	Gold + Tin (M20-977)
45	Gold (M20-973, 999)
46	Tin

NO. OF CONTACTS PER ROW

02 to 40

All dimensions in mm.