

PART NUMBER CODING

C04D N - S268

MATERIALS (INSULATOR/CONTACT)

E = PBT & PHOSPHOR BRONZE
 OPERATING TEMP: -65°C TO +125°C
 PROCESSING TEMP: WAVE ONLY

R = PPS & PHOSPHOR BRONZE
 OPERATING TEMP: -65°C TO +125°C
 PROCESSING TEMP: 260°C FOR 120 SEC. MAX.

H = PBT & BERYLLIUM COPPER
 OPERATING TEMP: -65°C TO +125°C
 PROCESSING TEMP: WAVE ONLY

A = PPS & BERYLLIUM COPPER
 OPERATING TEMP: -65°C TO +150°C
 PROCESSING TEMP: 260°C FOR 120 SEC. MAX.

TERMINATION TYPE

RX = .185 [4.70] TAIL LENGTH
 RJ = .165 [4.19] TAIL LENGTH

**NUMBER OF POSITIONS
 (CONTACTS PER ROW)**

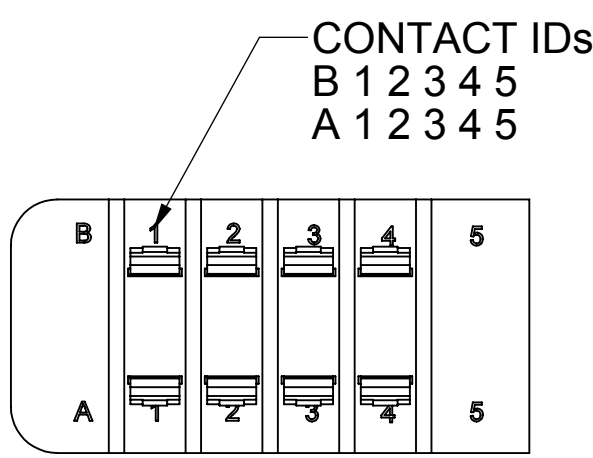
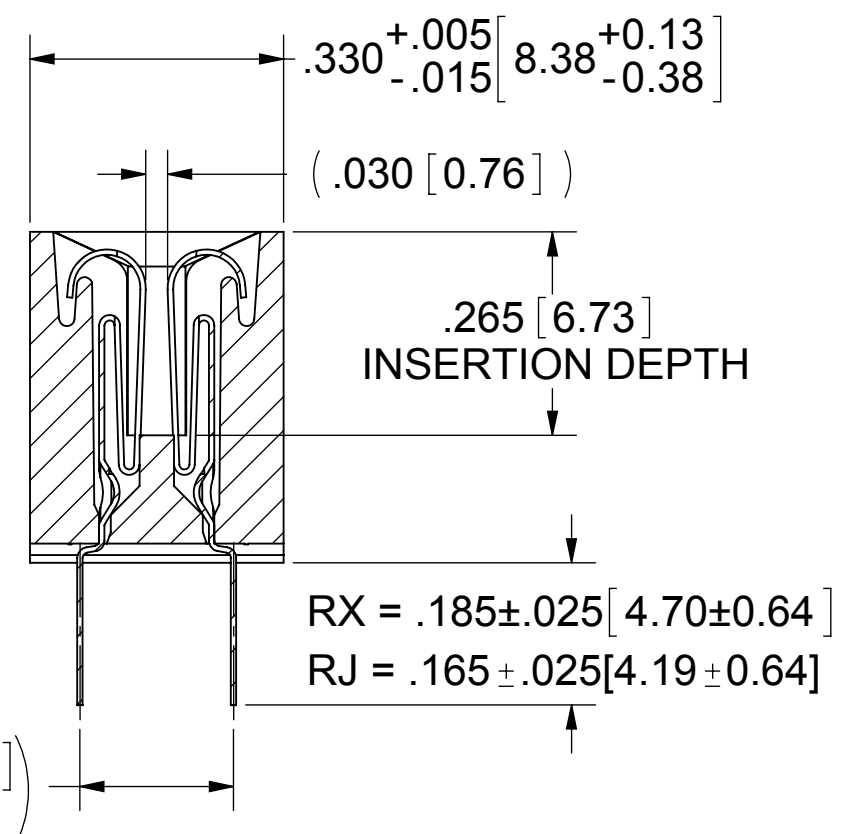
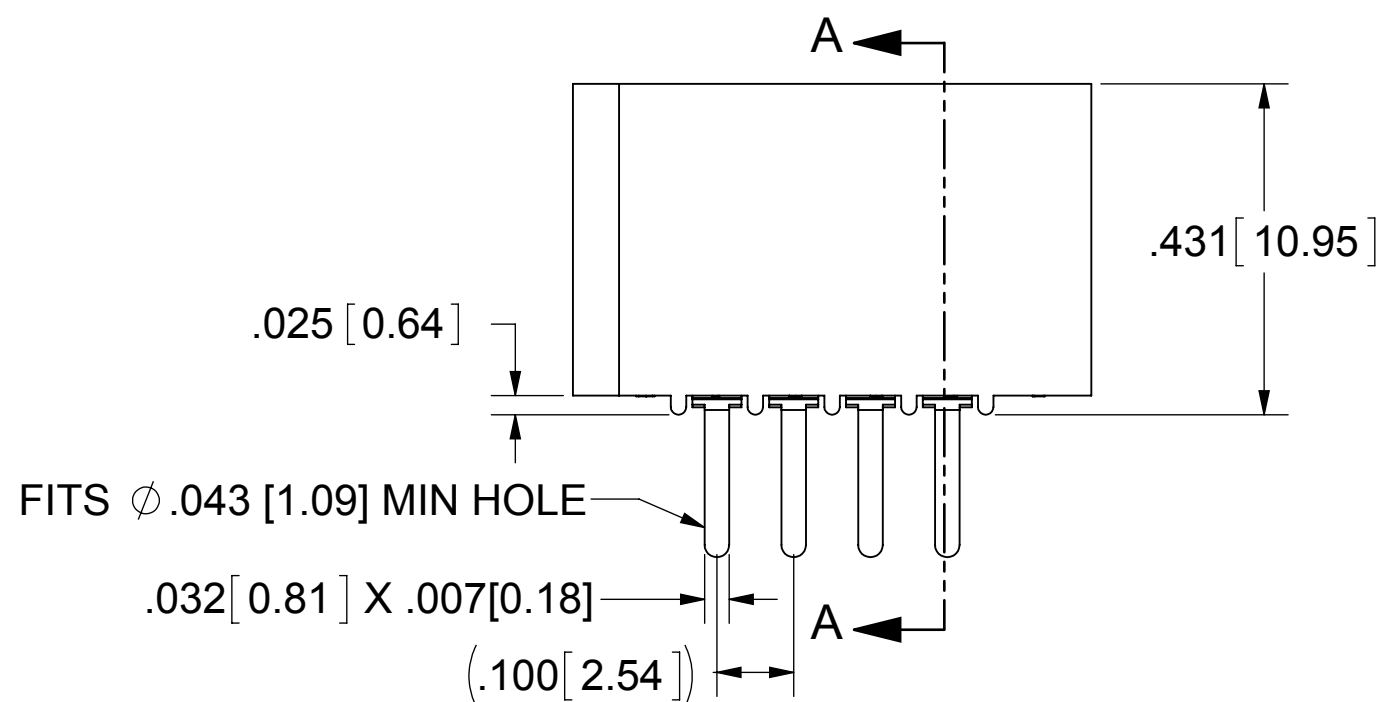
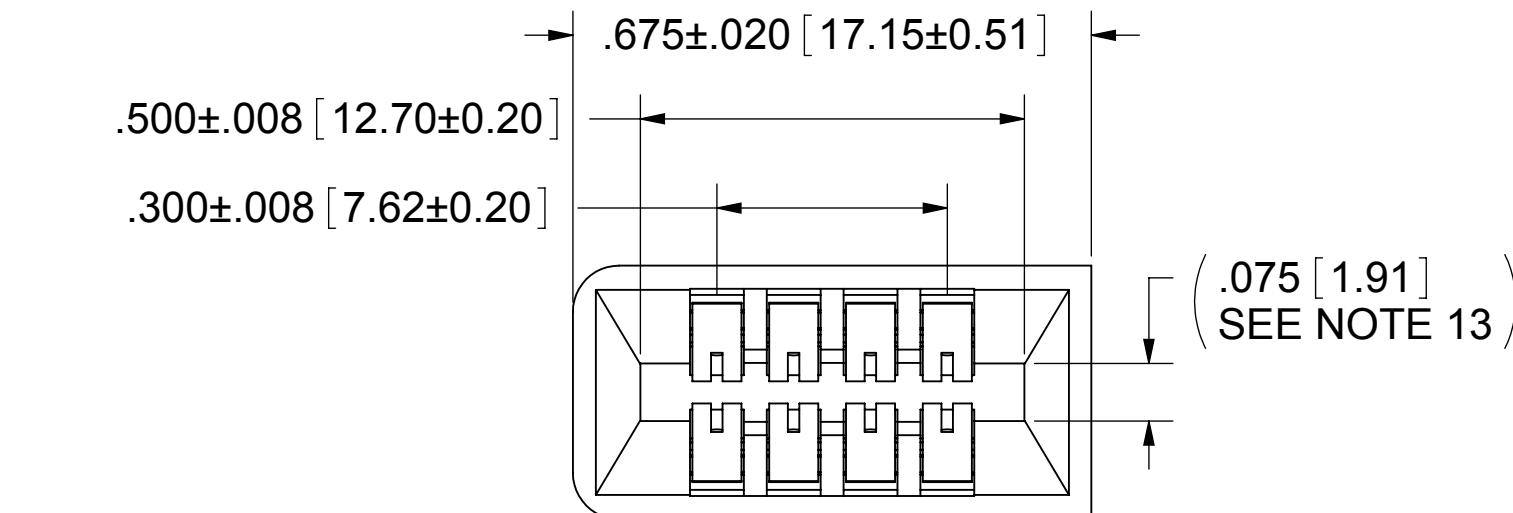
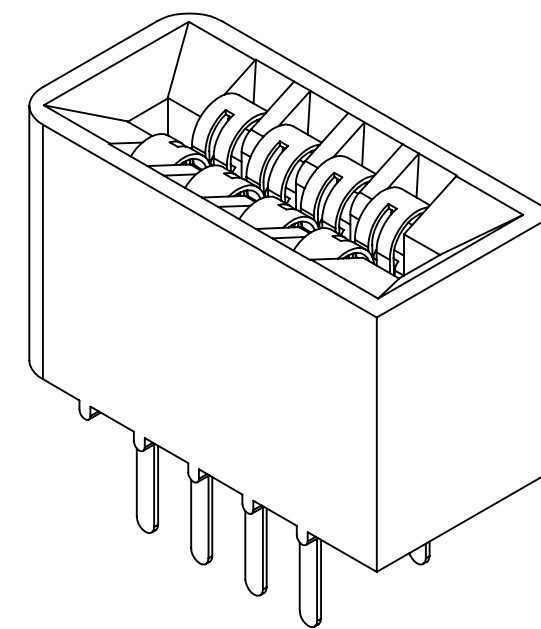
PLATING

ALL PLATINGS ARE LEAD FREE AND HAVE .000050" MIN NICKEL UNDERPLATE

| CONTACT SURFACE | TERMINATION |
|---|--------------------------|
| B = .000010" GOLD | .000100" PURE TIN, MATTE |
| C = .000030" GOLD | .000100" PURE TIN, MATTE |
| G = .000010" GOLD | .000005" GOLD |
| Y = .000030" GOLD | .000005" GOLD |
| **E = .000100" PURE TIN, MATTE, OVERALL | |
| S = .000010" GOLD OVERALL | |
| M = .000030" GOLD | .000010" GOLD OVERALL |

**OVERALL TIN ONLY AVAILABLE ON MATERIAL CODES E ONLY

| REVISIONS | | | | |
|-----------|---------|-----------------|-----------|----|
| REV. | ECO. NO | DESCRIPTION | DATE | BY |
| A | 2786 | INITIAL RELEASE | 6/14/2013 | JH |



- NOTES:**
- INSULATOR MATERIAL: SEE PART NUMBER CODING
 - CONTACT MATERIAL: SEE PART NUMBER CODING
 - PLATING: SEE PART NUMBER CODING
 - OPERATING TEMPERATURE: SEE PART NUMBER CODING
 - PROCESSING TEMP: SEE PART NUMBER CODING
 - UL FLAMMABILITY RATING: 94V-0
 - OPERATING VOLTAGE: 700 VAC MINIMUM AT SEA LEVEL
 - CURRENT RATING: 3 AMP
 - CONTACT RESISTANCE: 30 MILLI OHMS MAX
 - INSULATION RESISTANCE: 5000 MEGA OHMS
 - DURABILITY: 500 CYCLES MIN
 - CONNECTOR IDENTIFICATION: THE PART SHALL BE MARKED WITH A PART NUMBER AND LOT CODE
 - BOARD THICKNESS ACCOMMODATED: .062 ± .008 [1.57 ± 0.20]
 - INSERTION FORCE: 16 OZ MAX PER CONTACT PAIR WHEN USING A .062 [1.57] TEST BLADE
INTERNAL INSPECTION TO BE PER SULLIN'S WORK INSTRUCTION WI7.3-01
 - WITHDRAWAL FORCE: 1 OZ MIN PER CONTACT PAIR USING .062 [1.57] PCB
 - MODIFICATION: NO EARS, STANDARD RADIUS ONE END, SQUARE CORNER OTHER END



CUSTOMER COPY

| | | | | | |
|--|-----------|----------|--------------|------|------------------------|
| UNLESS OTHERWISE SPECIFIED: DIMENSIONS ARE IN INCHES [MM] | | DRAWN | DATE | NAME | |
| TOLERANCES: ANGULAR: ± 1° DECIMALS .XX = ± .02 [.5] .XXX = ± .005 [.13] .XXXX = ± .0005 [.013] | | | 6/14/13 | JH | |
| THE INFORMATION HEREIN CONTAINS PROPRIETARY INFORMATION OF SULLINS ELECTRONICS AND IS NOT TO BE REPRODUCED, USED OR DISCLOSED TO OTHERS FOR ANY PURPOSE EXCEPT AS SPECIFICALLY AUTHORIZED IN WRITING BY AN OFFICER OF SULLINS ELECTRONICS. | | | | | TITLE |
| | | | | | EDGE CARD, .100 CC, LP |
| | | | | | PART NUMBER |
| | | | | | C04DRX(RJ)N-S268 |
| SIZE | CAGE CODE | DWG. NO. | REV | | |
| C | 54453 | C12229 | A | | |
| SCALE: 4:1 | | | SHEET 1 OF 1 | | |