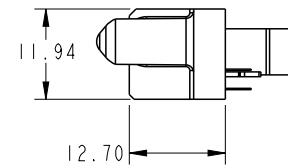
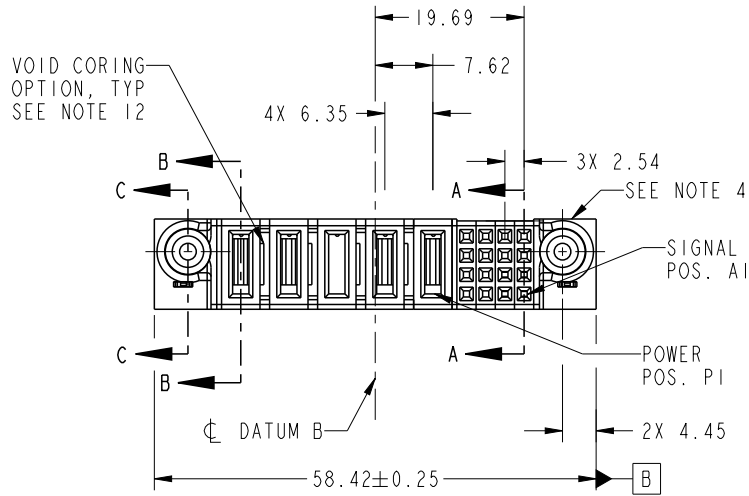
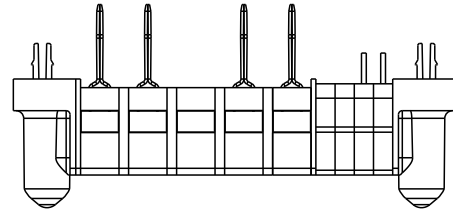


PRODUCT NO.	ROWS	POWER					SIGNAL					
		E2	P5	P4	P3	P2	P1	4	3	2	1	E1
51940-519-- NOTE: 3	D C B A		PG	PG	X	PG	PG	X	X	X	X	

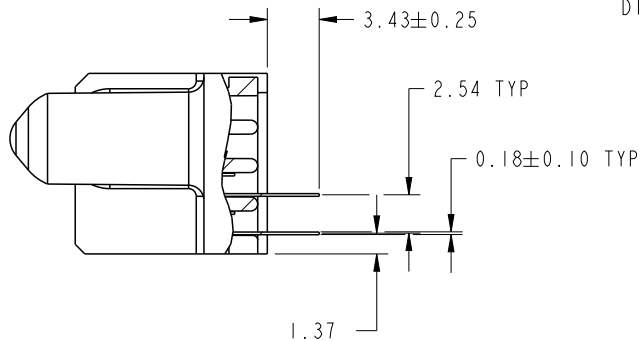


CODE	DIM "M" MATING LENGTH	CONTACT TYPE
E	[N/A]	SIGNAL
HA	[N/A]	HOLD-DOWN
PG	[1.07]	POWER
X	[N/A]	OMITTED

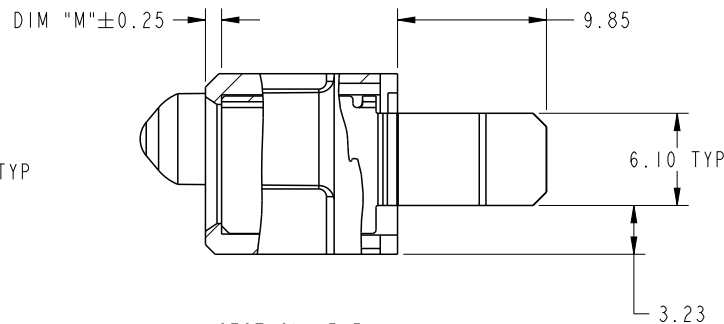
spec ref	SEE NOTES		dr	Ruan MT	2013/12/04	projection 	MM ←→	size	A4	scale	1:1
tolerance std	TOLERANCES UNLESS OTHERWISE SPECIFIED		eng	Ruan MT	2014/01/07			ecn no	-		
SEE NOTE			chr	-	-			rel level	Released		
surface	linear	0.X ±0.5 0.XX ±0.25 0.XXX ±0.1	appr	Pei-Ming Zheng	2014/01/07	product family	PwrBlade	rev	A		
	angular	0° ±2°	www.fci.com		title	16S + 5P VERTICAL SOLDER RECEPT		dwg no	51940-519	sheet 1 of 4	
			cat. no.	-	Product - Customer Drw						

PRODUCT NUMBER

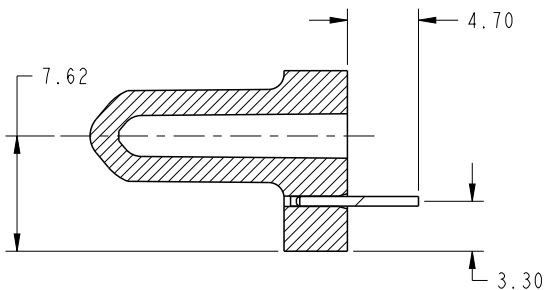
51940-519__
NOTE: 3



SECTION A-A
SCALE 2:1



SECTION B-B
SCALE 2:1



SECTION C-C
SCALE 2:1

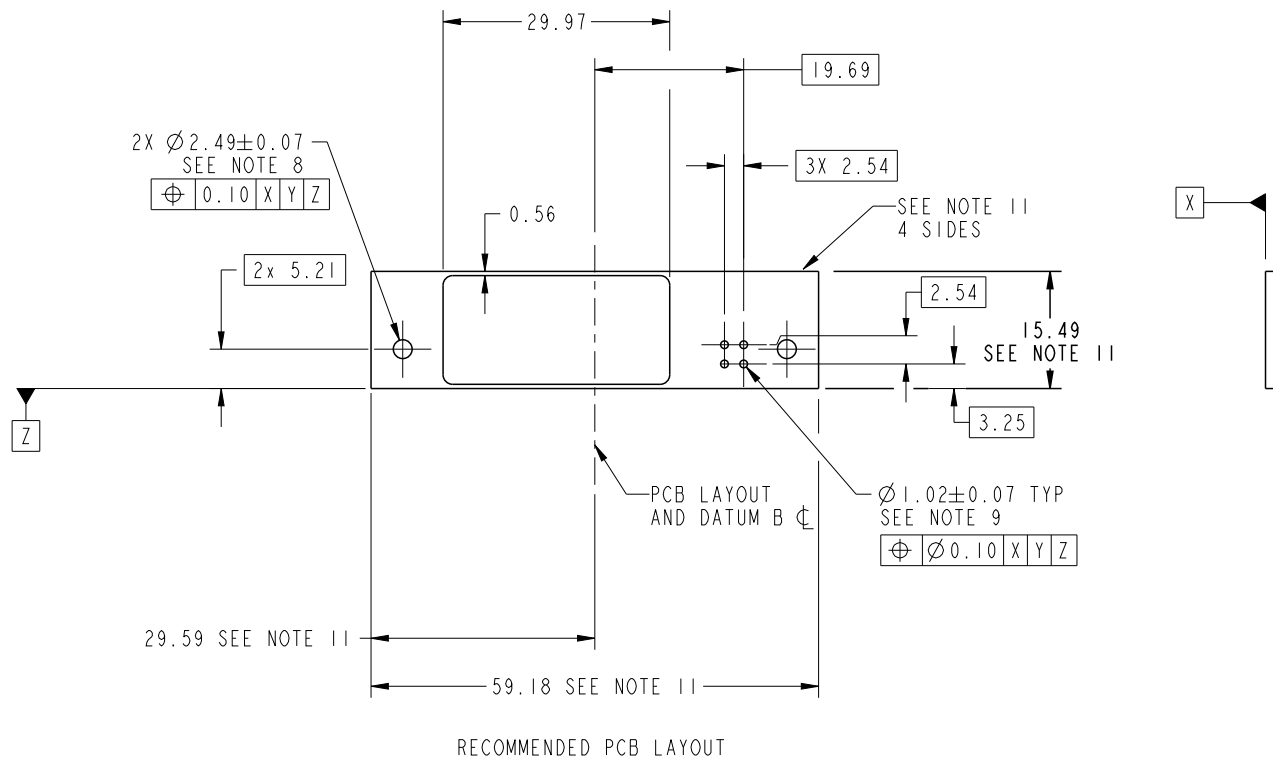
dr	Ruan MT	2013/12/04	projection 	MM 	size	A4	scale	1:1
eng	Ruan MT	2014/01/07			ecn no	-		
chr	-	-			rel level	Released		
appr	Pei-Ming Zheng	2014/01/07	product family	PwrBlade				
		title 16S + 5P VERTICAL SOLDER RECEPT	dwg no 51940-519	rev A				
www.fci.com		cat. no.	-	Product - Customer Drw	sheet 2 of 4			



Copyright FCI.

PRODUCT NUMBER

51940-519__
NOTE: 3



dr	Ruan MT	2013/12/04	projection 	MM 	size	A4	scale	1:1
eng	Ruan MT	2014/01/07			ecn no	-		
chr	-	-			rel level	Released		
appr	Pei-Ming Zheng	2014/01/07	product family	PwrBlade				
	title	16S + 5P VERTICAL SOLDER RECEIPT		dwg no	51940-519		rev	A
www.fci.com	cat. no.	-	Product - Customer Drw		sheet 3 of 4			

PRODUCT NUMBER

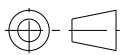
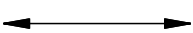

51940-519__
NOTE: 3

NOTES:

1. DIMENSIONS AND TOLERANCES ARE IN ACCORDANCE WITH ASME Y14.5M, 1994 UNLESS OTHERWISE SPECIFIED.

CONNECTOR NOTES:

- 2 HOUSING MATERIAL: UL 94 V-0 GLASS FILLED HIGH-TEMP THERMOPLASTIC
POWER CONTACT MATERIAL: COPPER ALLOY
SIGNAL PIN MATERIAL: COPPER ALLOY
- 3. SEE ITEM 5 & 6 IN PRINT 10064183 FOR PLATING SPEC OF 51940-519 AND 51940-519LF RESPECTIVELY.
- 4 MANUFACTURER'S NAME, DATE CODE AND OPTIONAL P/N TO APPEAR ON THIS SURFACE. THE P/N CAN BE OMITTED IF THERE IS NOT ENOUGH SPACE ON THIS SURFACE.
- 5. PRODUCT SPECIFICATION GS-12-149.
APPLICATION SPECIFICATION BUS-20-067.
- 6. PACKAGED IN TRAYS.
- PCB NOTES:
- 7. ALL HOLE DIAMETERS ARE FINISHED HOLE SIZE.
- 8 MOUNTING HOLES, WHERE APPLICABLE, ARE UNPLATED.
- 9 $\varnothing 1.151 \pm 0.025$ DRILLED HOLES PLATED WITH
0.008 MIN SnPb OR Sn OVER 0.03
TO 0.08 Cu PLATING TO ACHIEVE
 $\varnothing 1.02 \pm 0.07$ HOLE.
- 10 "DIM XXX" TO BE DETERMINED BY THE CUSTOMER.
- 11 CONNECTOR KEEP-OUT ZONE.
- 12. THE VOID CORING IN BETWEEN POWER MODULES, SIGNAL MODULES AND END MODULES ARE OPTIONAL AND THE SHAPE MAY BE DIFFERENT FOR OPTIMIZE THE MOLDING PROCESS. THE VOID CORING WILL NOT EFFECT TO PRODUCT FUNCTION.

dr	Ruan MT	2013/12/04	projection 	MM 	size	A4	scale	1:1
eng	Ruan MT	2014/01/07			ecn no	-		
chr	-	-			product family	PwrBlade	rel level	Released
appr	Pei-Ming Zheng	2014/01/07			title 16S + 5P VERTICAL SOLDER RECEPT	dwg no 51940-519	rev A	
www.fci.com	cat. no.	-	Product - Customer Drw			sheet 4 of 4		