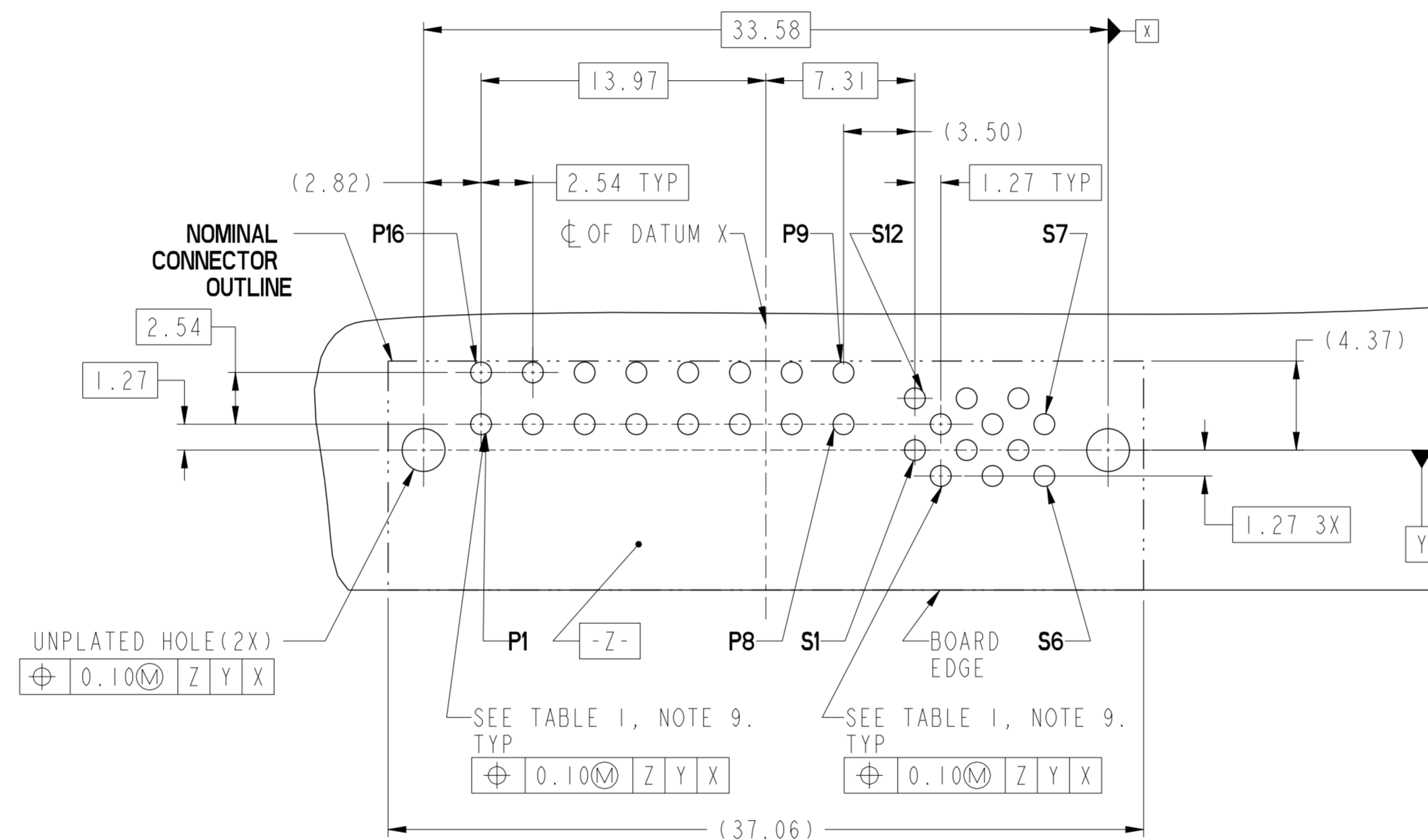


|                                       |                     |      |                |            |                     |                      |                |                    |                        |              |          |
|---------------------------------------|---------------------|------|----------------|------------|---------------------|----------------------|----------------|--------------------|------------------------|--------------|----------|
| spec ref                              | -                   | dr   | Wei-Long Zhang | 2012/05/04 | projection          | MM                   | size           | A2                 | scale                  | 4:1          |          |
| tolerance std                         | ISO 406<br>ISO 1101 | eng  | Sunny2 Liu     | 2016/05/06 |                     |                      | ecn no         | ELX-DG-24036-1     | rel level              | Released     |          |
| TOLERANCES UNLESS OTHERWISE SPECIFIED |                     | chr  | Terris Liu     | 2016/05/20 |                     |                      | product family |                    |                        | rel level    | Released |
| surface                               | linear              | 0.X  | ±0.3           |            | <b>Amphenol FCI</b> |                      | cat. no.       | R/A RECT (16P-12S) | Product - Customer Drw | sheet 1 of 4 |          |
|                                       |                     | 0.XX | ±0.10          |            | title               | HIGH POWER CARD EDGE |                | dwg no             | 10121002               | rev          | C        |
|                                       | angular             | 0°   | ±2°            |            |                     |                      |                |                    |                        |              |          |

TABLE 1 (HPCE / SOLDER TAILS)  
PLATED THROUGH-HOLE REQUIREMENTS

| CONTACT TYPE | TOP LAYER DESCRIPTION | DRILLED HOLE DIAMETER  | COPPER THICKNESS | TIN-LEAD THICKNESS     | TIN THICKNESS | FINISHED HOLE DIAMETER |
|--------------|-----------------------|------------------------|------------------|------------------------|---------------|------------------------|
|              |                       | POWER & SIGNAL         | TIN-LEAD         | 1.10-1.16 (1.15 DRILL) | 0.025 - 0.050 | 0.005 - 0.015          |
|              | IMMERSION TIN         | 1.10-1.16 (1.15 DRILL) | 0.025 - 0.050    | --                     | 0.9 - 1.5um   | 0.94 - 1.10            |
|              | COPPER (SEE NOTE 8)   | 1.10-1.16 (1.15 DRILL) | 0.025 - 0.050    | --                     | --            | 0.94 - 1.10            |



### RECOMMENDED PCB LAYOUT

Amphenol FCI

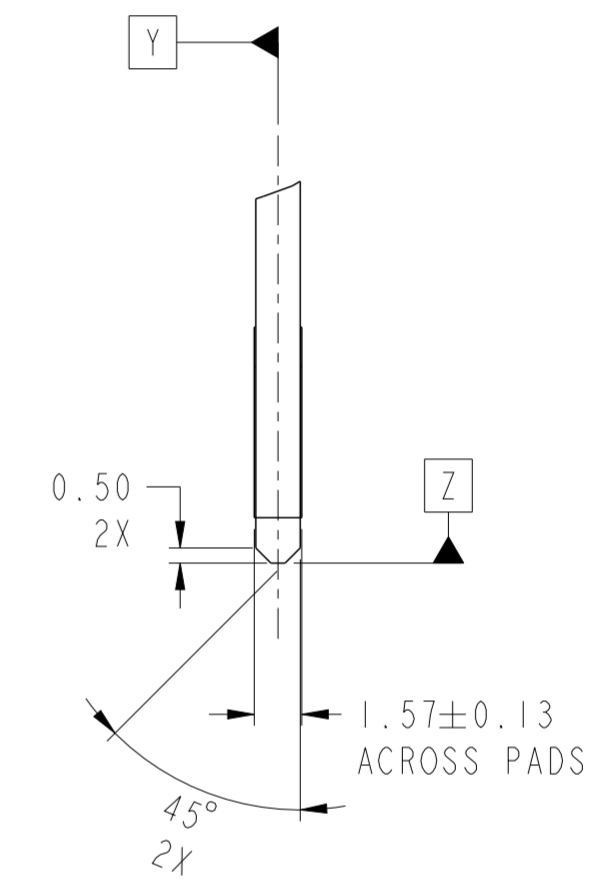
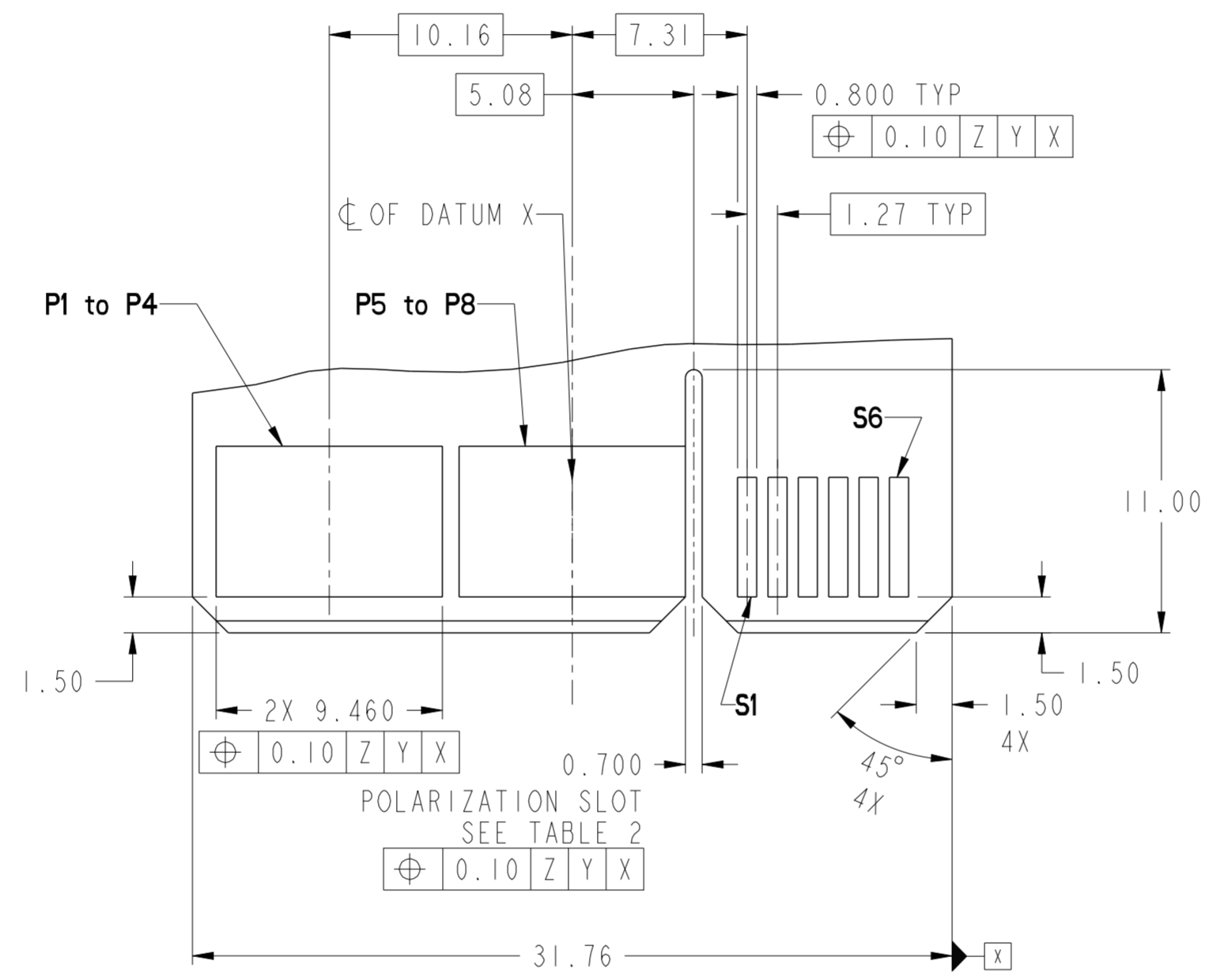
© 2016 APCI

|                                       |                     |         |                |            |            |    |  |                |                    |          |
|---------------------------------------|---------------------|---------|----------------|------------|------------|----|--|----------------|--------------------|----------|
| spec ref                              | -                   | dr      | Wei-Long Zhang | 2012/05/04 | projection | MM | size   | A2             | scale              | 4:1      |
| tolerance std                         | ISO 406<br>ISO 1101 | eng     | Sunny2 Liu     | 2016/05/06 |            |    | ecn no   | ELX-DG-24036-1 | rel level          | Released |
| TOLERANCES UNLESS OTHERWISE SPECIFIED |                     | chr     | Terris Liu     | 2016/05/20 |            |    |  |                |                    |          |
|                                       |                     | appr    | Pei-Ming Zheng | 2016/05/24 |            |    |  |                |                    |          |
| surface                               | ISO 1302            | linear  | 0.X            | ±0.3       |            |    | title R/A RECT (16P-12S)<br>HIGH POWER CARD EDGE |                | dwg no<br>10121002 | rev<br>C |
|                                       |                     | angular | 0°             | ±2°        | cat. no.   |    | Product - Customer Drw                           |                | sheet 2 of 4       |          |

PDS: Rev :C

STATUS:Released

Printed: May 24, 2016



### RECOMMENDED MATING BOARD FOOT PRINT

Amphenol  
FCi

© 2016 AFci

|                                       |                     |      |                |            |            |    |          |  |           |                    |                |
|---------------------------------------|---------------------|------|----------------|------------|------------|----|----------|--|-----------|--------------------|----------------|
| spec ref                              | -                   | dr   | Wei-Long Zhang | 2012/05/04 | projection | MM | size     | A2   | scale     | 4:1                |                |
| tolerance std                         | ISO 406<br>ISO 1101 | eng  | Sunny2 Liu     | 2016/05/06 |            |    | ecn no   | ELX-DG-24036-1                             | rel level | Released           |                |
| TOLERANCES UNLESS OTHERWISE SPECIFIED |                     | chr  | Terris Liu     | 2016/05/20 |            |    |          |  |           |                    | product family |
| surface                               | ISO 1302            | appr | Pai-Ming Zheng | 2016/05/24 |            |    | title    | R/A RECT (16P-12S)<br>HIGH POWER CARD EDGE |           | dwg no<br>10121002 | rev<br>C       |
|                                       |                     |      |                |            |            |    | cat. no. | Product - Customer Drw                     |           | sheet 3 of 4       |                |

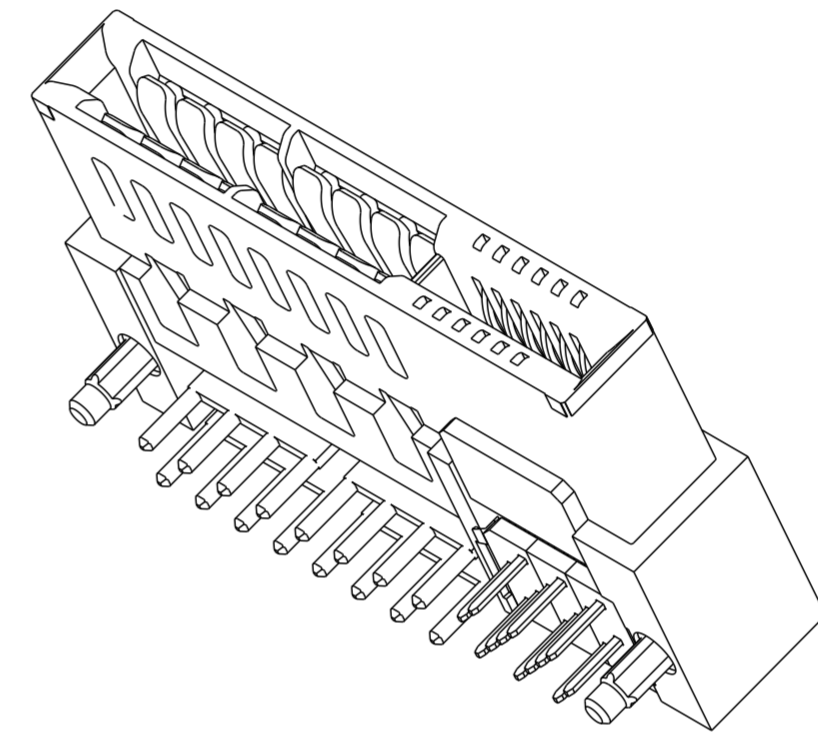
PDS: Rev :C

STATUS:Released

Printed: May 24, 2016

HPCE PART NUMBER (TABLE 2)

| PART NUMBER    | TAIL TYPE   | HOLD-DOWN OPTION | ORIENTATION KEY | DIM "A" TAIL LENGTH OF POWER PINS | DIM "B" TAIL LENGTH OF SIGNAL PINS |
|----------------|-------------|------------------|-----------------|-----------------------------------|------------------------------------|
| 10121002-001LF | SOLDER TAIL | NO               | YES             | 3.25±0.25                         | 3.25±0.25                          |
| 10121002-002LF |             |                  | NO              |                                   |                                    |
| 10121002-003LF |             | YES              | YES             |                                   |                                    |
| 10121002-004LF |             |                  | NO              |                                   |                                    |
| 10121002-005LF |             | NO               | YES             | 2.60±0.25                         | 2.60±0.25                          |
| 10121002-006LF |             |                  | NO              |                                   |                                    |
| 10121002-007LF |             | YES              | YES             |                                   |                                    |
| 10121002-008LF |             |                  | NO              |                                   |                                    |
| 10121002-009LF |             | YES              | NO              | 2.60±0.25                         | 2.10±0.25                          |



NOTES:

1. CONNECTOR MATERIALS:

HOUSING: HIGH TEMPERATURE THERMAL PLASTIC, BLACK  
UL 94V-0 COMPLIANT  
CONTACTS: HIGH PERFORMANCE COPPER ALLOY.

2. CONTACT FINISH REF. GS-12-604 SECTION 5.2.

3. PRODUCT SPECIFICATION: GS-12-604.

4. APPLICATION SPECIFICATION: GS-20-128.

5. PRODUCT MARKING ON HOUSING IN AREA SHOWN MEETS AFCI SPECIFICATION: GS-24-007.

6. PACKAGING MEETS FCI SPECIFICATION GS-14-937.

7. HOUSING COMPONENT WILL WITHSTAND EXPOSURE TO 260°C PEAK TEMPERATURE FOR 60 SECONDS IN A CONVECTION, INFRA-RED, OR VAPOR PHASE REFLOW OVEN.

8. COPPER PLATING THICKNESS IN CENTER OF VIA-HOLE CAN BE NO MORE THAN 0.003 LESS THAN OTHER AREAS.

9. ALL HOLE SIZES ARE FINISHED HOLE SIZES.

10. MOUNTING HOLES ARE UNPLATED  
Ø 2.18 +/- 0.03 FOR SOLDER TAILS

11. A  $\triangle$  SYMBOL WILL BE NEXT TO ANY DIMENSION, VIEW, OR NOTE WHICH HAS BEEN MODIFIED WITH THE CURRENT DRAWING REVISION.

|                                       |                     |              |                |                      |                |                    |                        |                |          |     |
|---------------------------------------|---------------------|--------------|----------------|----------------------|----------------|--------------------|------------------------|----------------|----------|-----|
| spec ref                              | -                   | dr           | Wei-Long Zhang | 2012/05/04           | projection     | MM                 | size                   | A2             | scale    | 4:1 |
| tolerance std                         | ISO 406<br>ISO 1101 | eng          | Sunny2 Liu     | 2016/05/06           |                |                    | ecn no                 | ELX-DG-24036-1 |          |     |
| TOLERANCES UNLESS OTHERWISE SPECIFIED |                     | chr          | Terris Liu     | 2016/05/20           |                |                    | rel level              | Released       |          |     |
| surface                               | linear              | appr         | Pei-Ming Zheng | 2016/05/24           | product family | R/A RECT (16P-12S) |                        | cat. no.       | 10121002 |     |
|                                       | angular             | Amphenol FCI |                | HIGH POWER CARD EDGE |                | dwg no             | Product - Customer Drw |                | rev      | C   |
|                                       |                     |              |                |                      |                | sheet 4 of 4       |                        |                |          |     |