

THIS DRAWING IS UNPUBLISHED.

RELEASED FOR PUBLICATION

ALL RIGHTS RESERVED.

© COPYRIGHT - By -

LOC  
FT

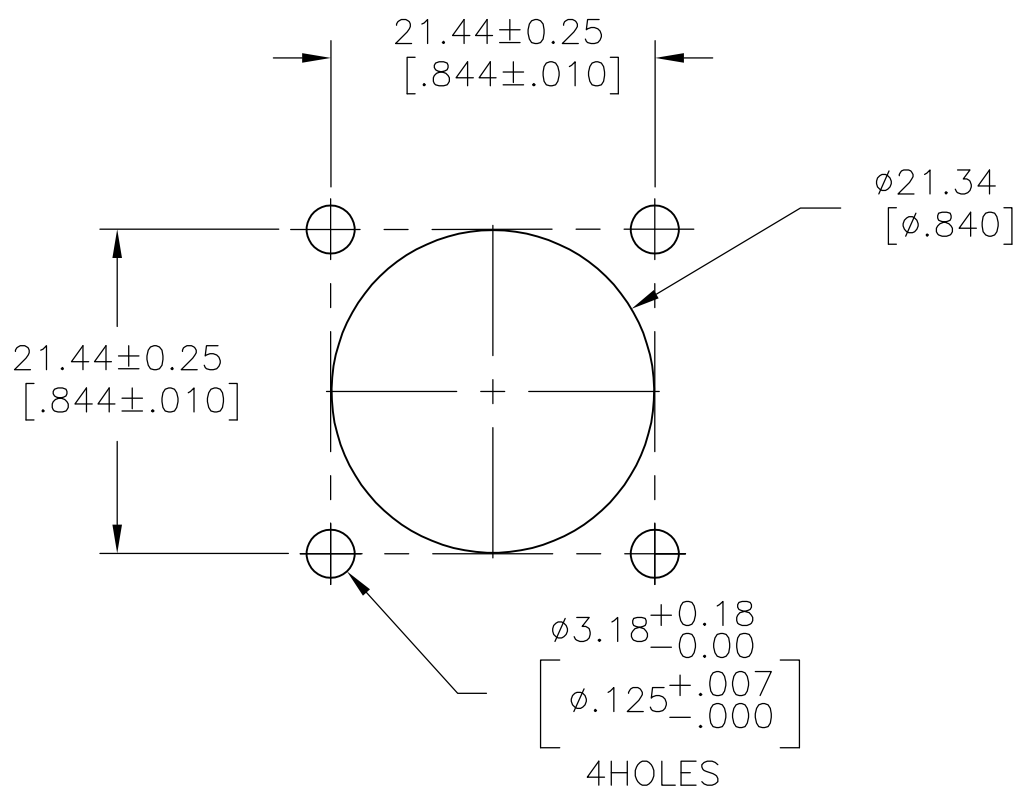
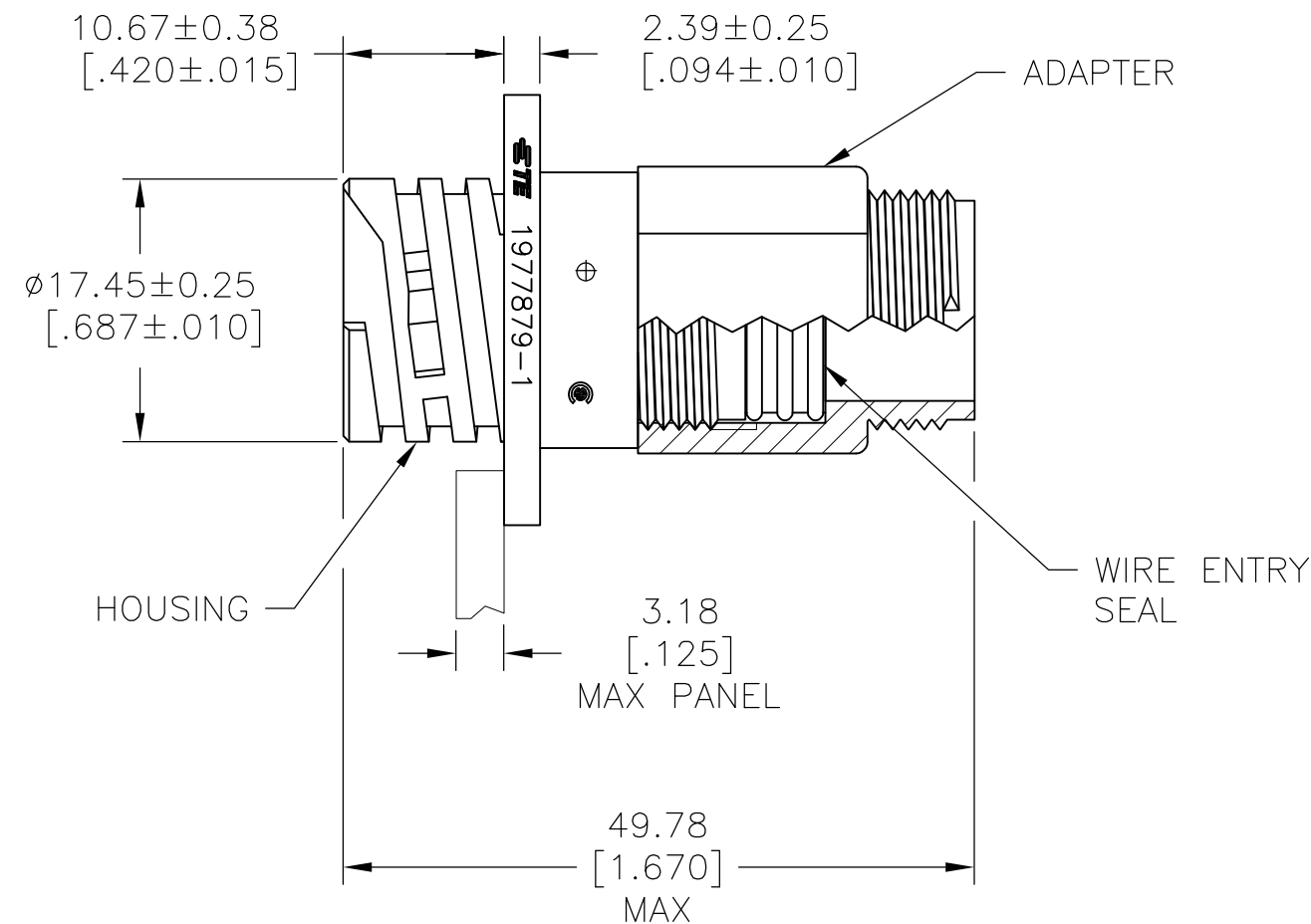
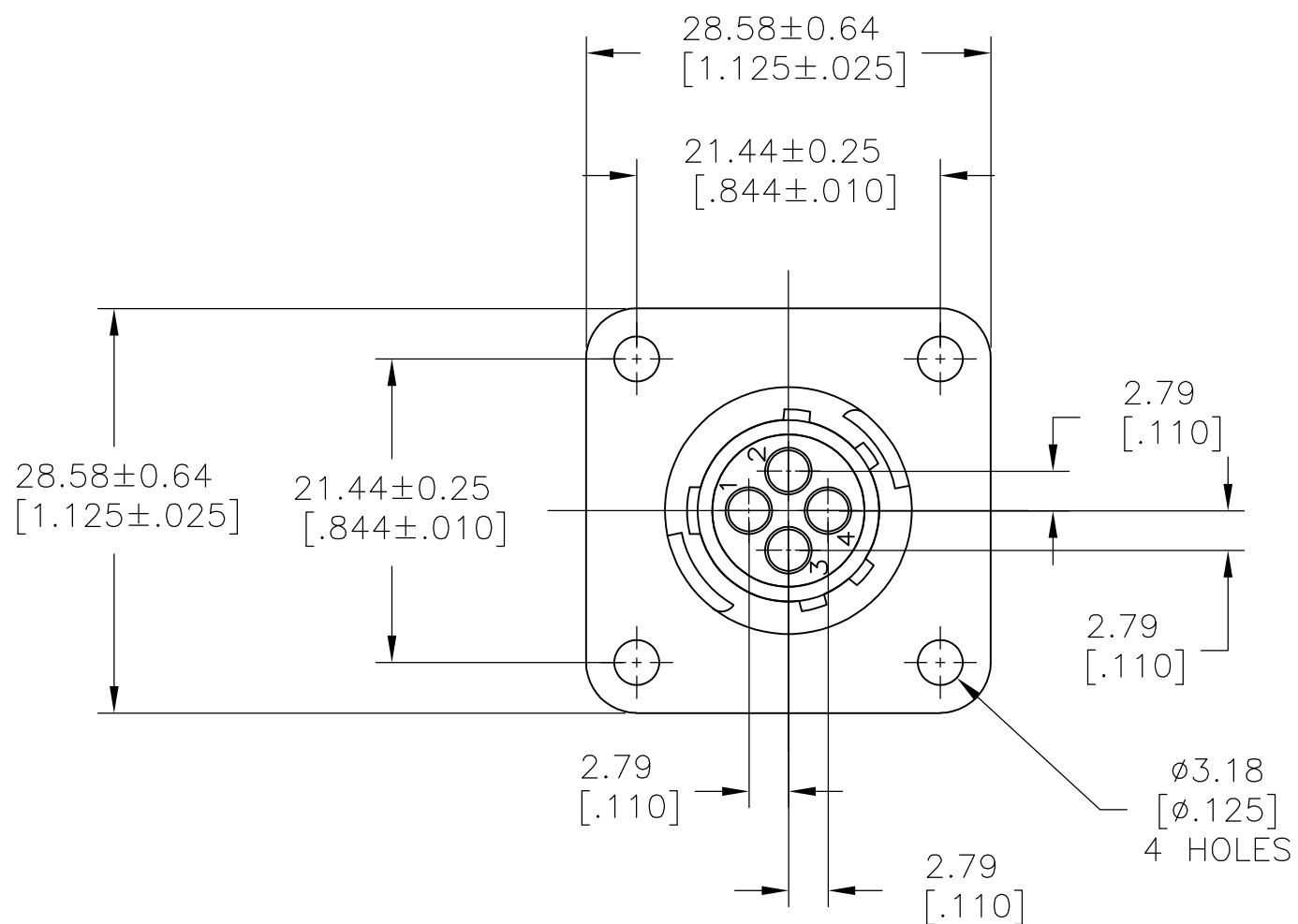
DIST  
0

REVISIONS

P	LTR	DESCRIPTION	DATE	DWN	APVD
A		NEW DRAWING PER ECO-12-018480	08NOV12	KH	MZ

1 HOUSING & ADAPTER: NYLON 6/6, BLACK.  
WIRE ENTRY SEAL: ELASTOMER, RED.

2 THIS CONNECTOR WILL ACCEPT FOUR (4)  
MULTIMATE SOCKET CONTACTS.



1977879-1  
PART NUMBER

THIS DRAWING IS A CONTROLLED DOCUMENT.		DWN KIRAN HOLAL	08NOV12	<b>STE</b> TE Connectivity	
DIMENSIONS: mm [INCHES]		CHK M ZITTO	08NOV12		
TOLERANCES UNLESS OTHERWISE SPECIFIED:		APVD M ZITTO	08NOV12	NAME CPC SQUARE FLANGE RECEPTACLE ASSEMBLY, SERIES 1, SEALED, 11-4, REVERSE SEX, UV RESISTANT	
0 PLC ± -		PRODUCT SPEC 108-1579		SIZE A3	
1 PLC ± -		APPLICATION SPEC 114-10038		CAGE CODE 00779	DRAWING NO C-1977879
2 PLC ± 0.13 [.005]		WEIGHT -		RESTRICTED TO -	
3 PLC ± -		CUSTOMER DRAWING		SCALE 2:1	SHEET 1 OF 1
4 PLC ± -		MATERIAL 1		REV A	
ANGLES ± -					
FINISH -					

RECOMMENDED PANEL CUTOUT