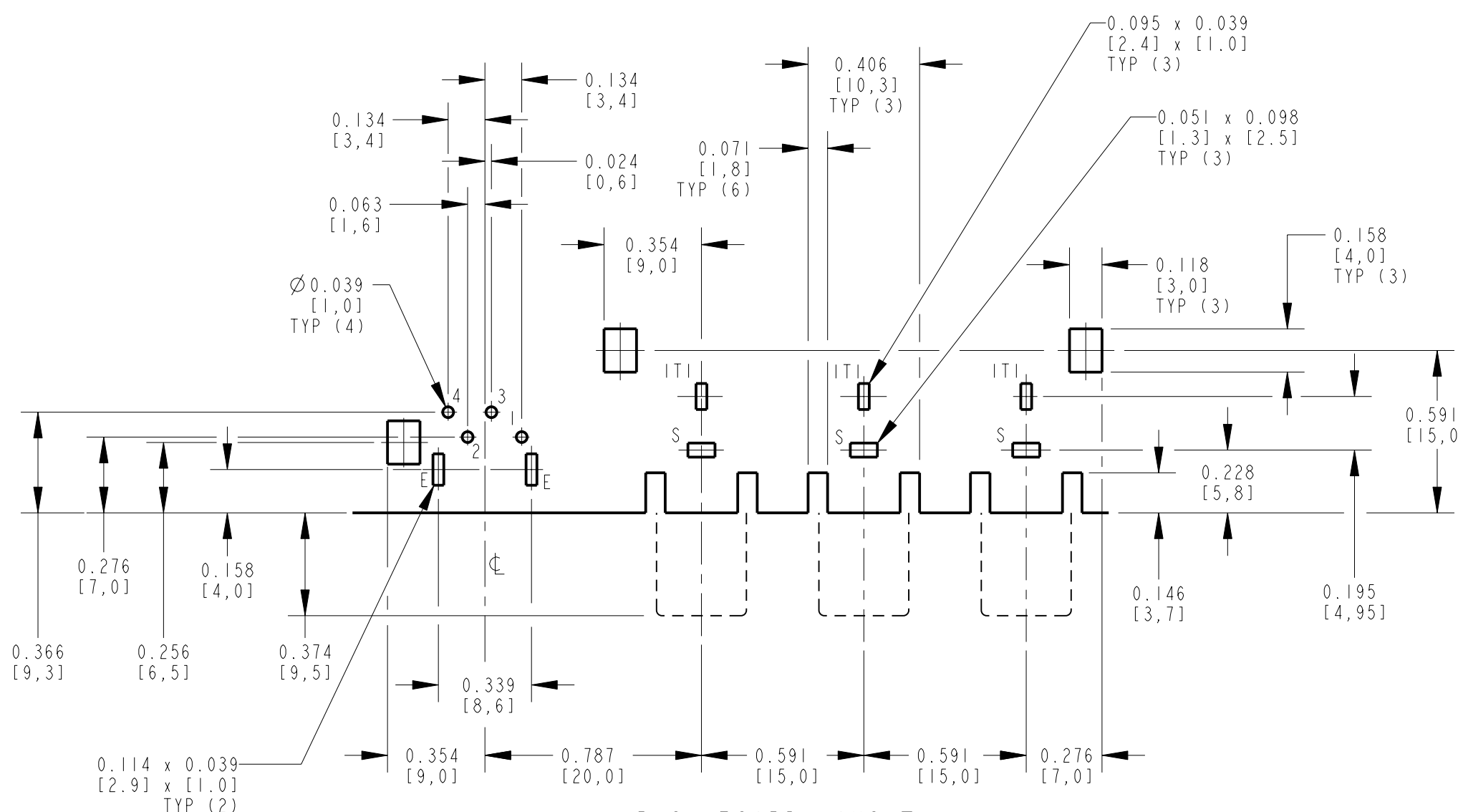


SCHEMATIC

NOTES:

- ALL DIMENSIONS ARE REFERENCE.
- MATERIALS:
 HOUSING & COVER: ABS, UL-94HB
 COLOR INSERT: ABS, UL-94HB
 SHELL & SLEEVE TERMINALS: COPPER ALLOY, NICKEL OR GOLD PLATED
 S-VIDEO GROUND TERMINALS: COPPER ALLOY, NICKEL PLATED
 TIP & S-VIDEO TERMINALS: COPPER ALLOY, TIN PLATED
- THIS PART IS RoHS COMPLIANT

PART NUMBER	INSERT (A) COLOR	INSERT (B) COLOR	INSERT (C) COLOR	SHELL & SLEEVE TERMINAL FINISH
PJRN3XIU02X	RED	WHITE	YELLOW	NICKEL PLATED
PJRN3XIU02AUX	RED	WHITE	YELLOW	GOLD PLATED



P.C. BOARD LAYOUT
COMPONENT SIDE

CUSTOMER DRAWING

★ STAR SYMBOL DENOTES CRITICAL DIMENSION				THIS DRAWING DESCRIBES A DESIGN CONSIDERED PROPRIETARY IN NATURE, DEVELOPED AND MANUFACTURED BY SWITCHCRAFT INC. AND IS RELEASED ON A CONFIDENTIAL BASIS FOR IDENTIFICATION PURPOSES ONLY.			
UNLESS OTHERWISE SPECIFIED		SIZE	WIDTH	MULT	LBS/M	TEMPER	
1. ALL DIMENSIONS IN INCHES - TWO PLACE DECIMALS ±0.01 - THREE PLACE DECIMALS ±0.005 - ANGLES ±1° - ALL DIA. CONCENTRIC WITHIN 0.005 T.I.R.		FINISH SPEC No.		MATERIAL SPEC No.			
2. FEATURES ON THE SAME CENTERLINE MUST BE ALIGNED WITHIN ±0.002		FIRST USED ON		SCALE 3:1			
3. REMOVE ALL BURRS		DATE DRAWN	BY	CHKD	APVD		
DO NOT SCALE DRAWING		13-Jan-06	JL	TJK	TJK		
REVISIONS		NAME PHONO JACK - RA 3 POS. HORIZ. UNSHIELDED W/S-VIDEO, RoHS		PART No. PJRN3XIU02X PJRN3XIU02AUX		REV A	