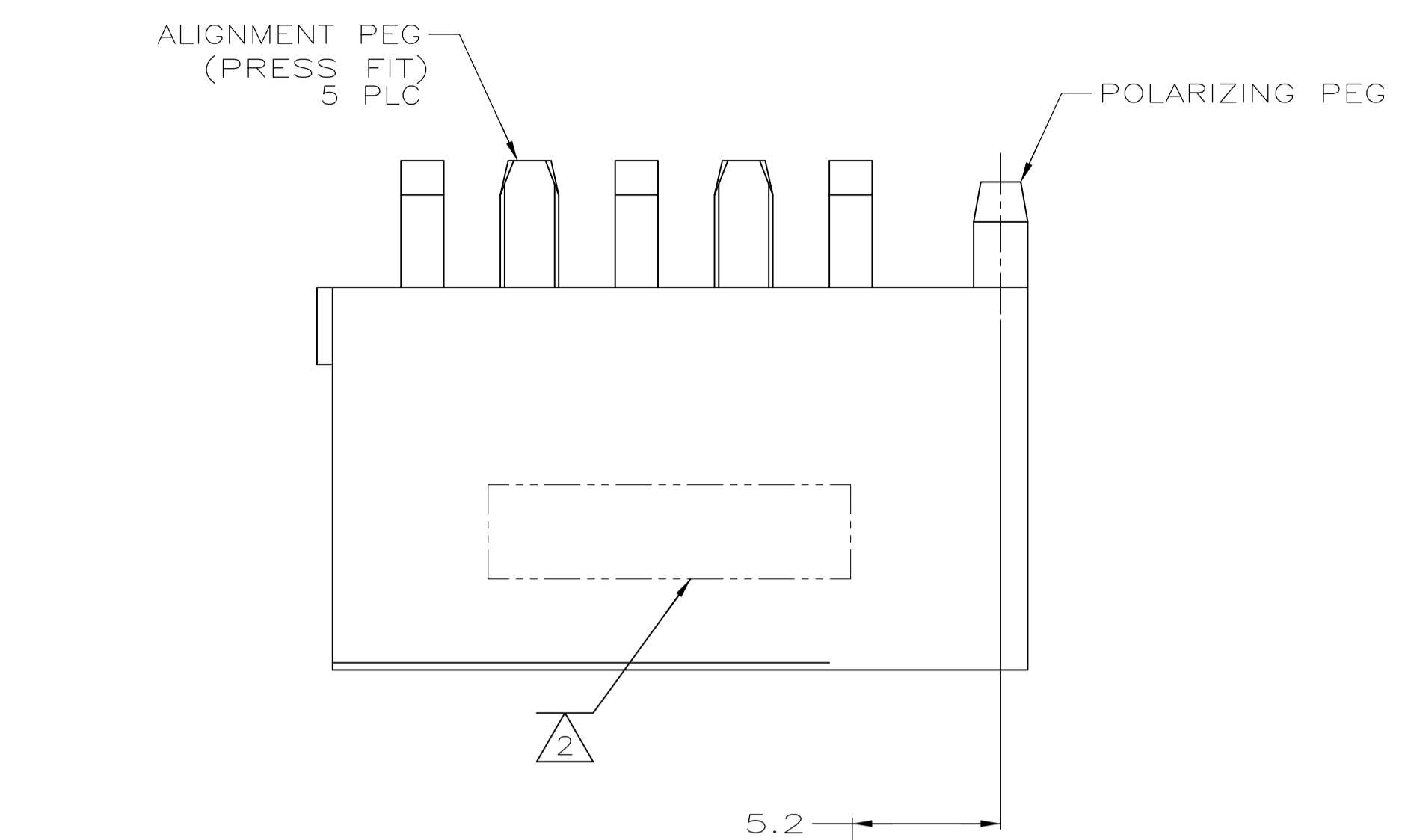
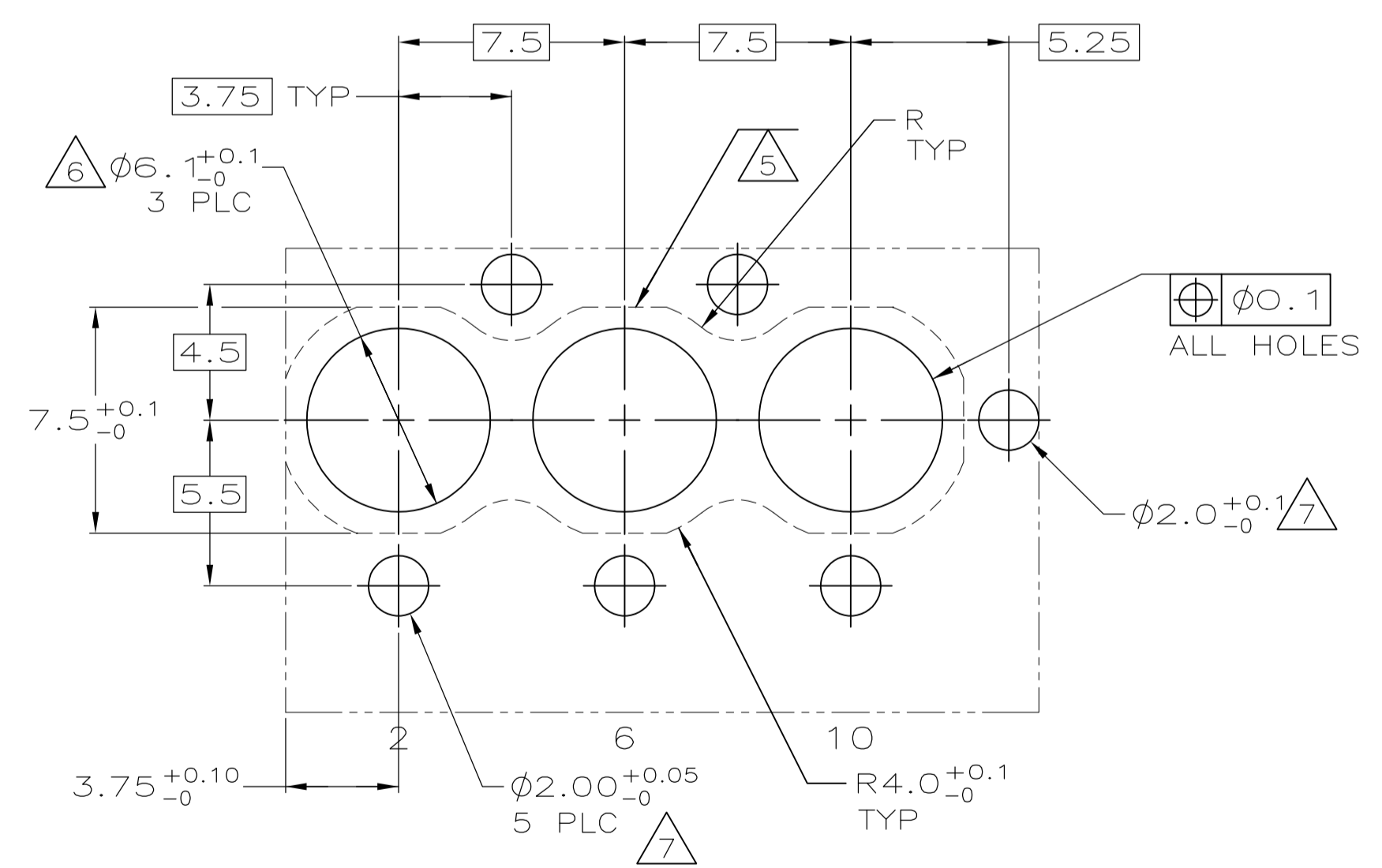
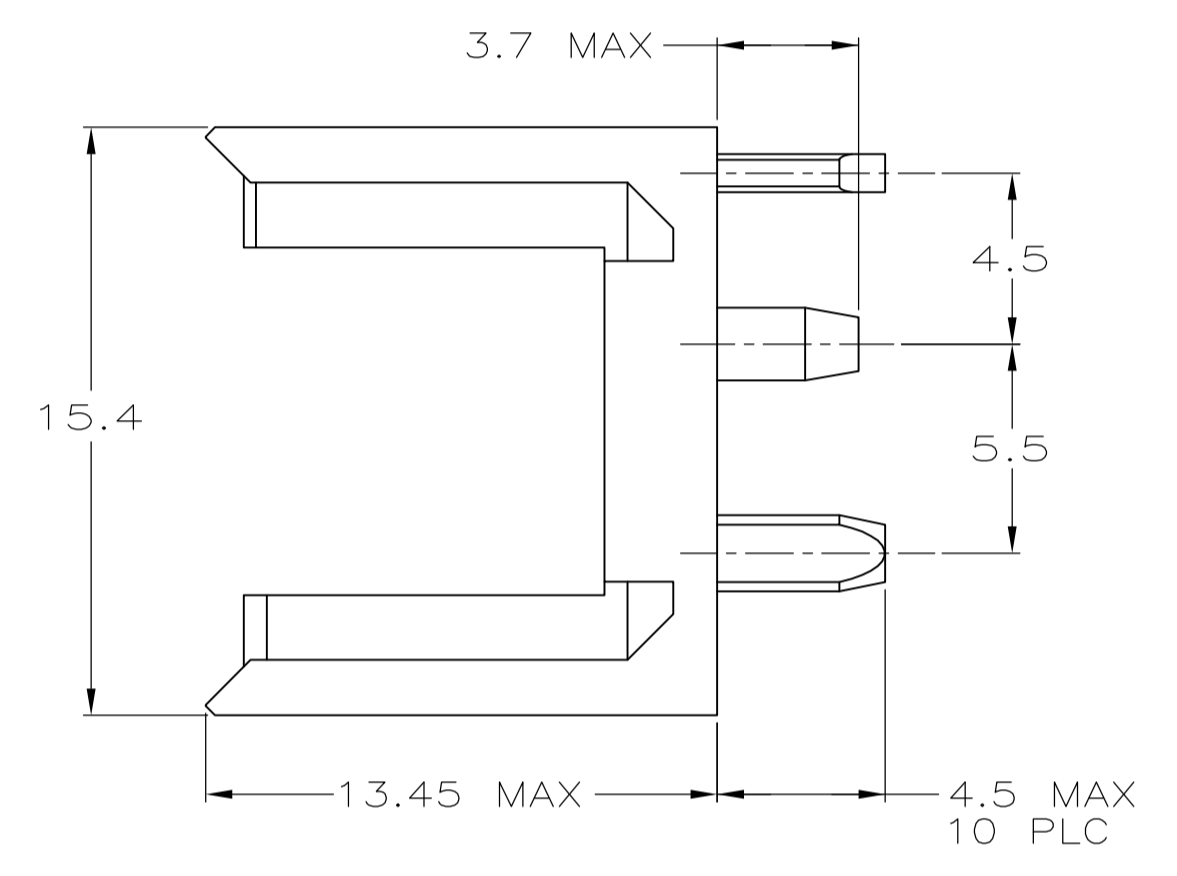
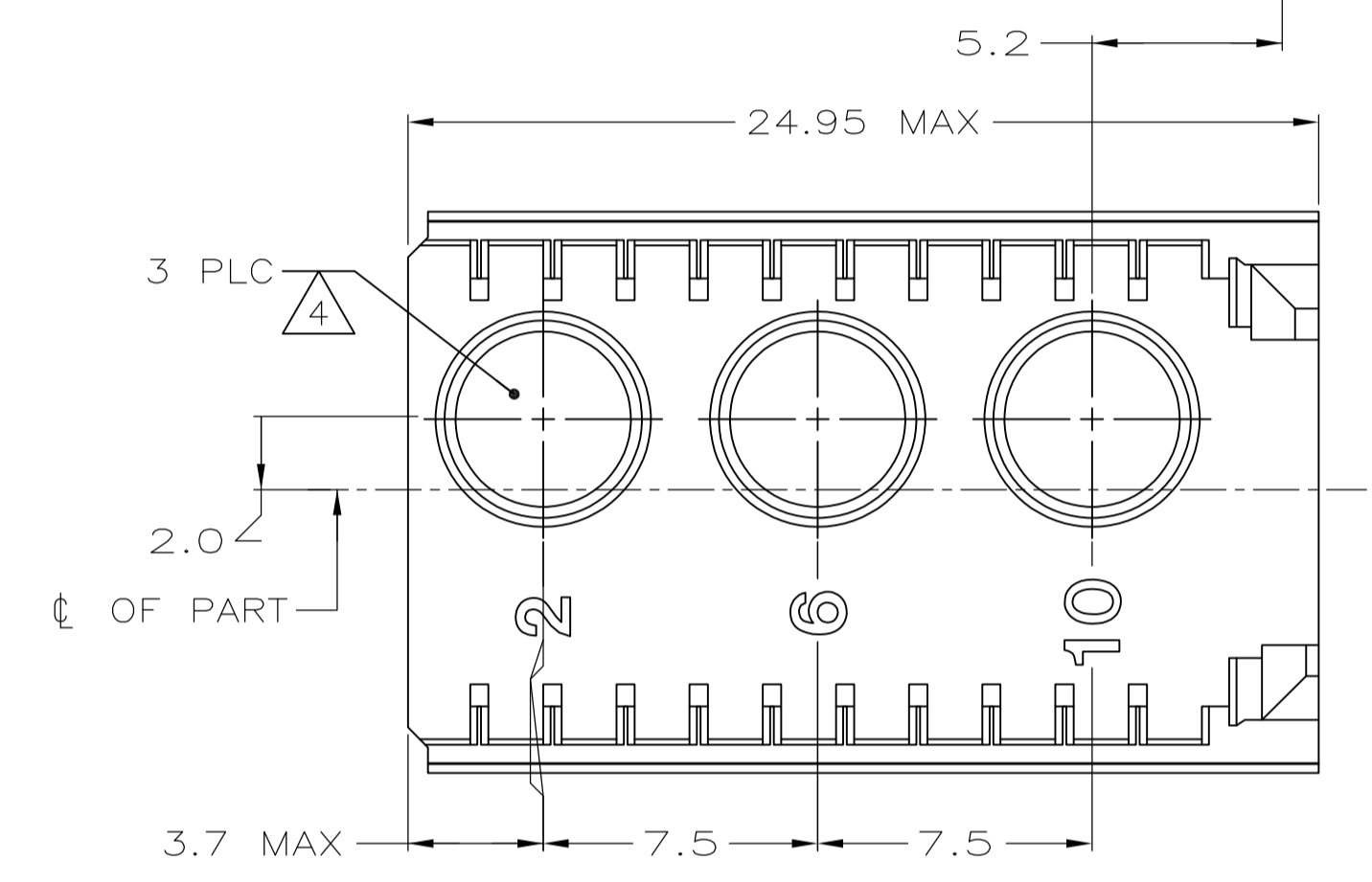


THIS DRAWING IS UNPUBLISHED. RELEASED FOR PUBLICATION .19
 © COPYRIGHT 19 BY AMP INCORPORATED. ALL RIGHTS RESERVED.

LOC		DIST		REVISIONS			
P	LTR	DESCRIPTION	DATE	DWN	APVD		
0		DRAWN	-	-	-	-	-
A		ECR-10-019054	15SEP10	DP	MQW		



- 1 MATERIAL:
HOUSING: GLASS-FILLED POLYESTER.
- 2 CONNECTOR MARKED WITH PART NUMBER, (OPPOSITE SIDE).
- 3 AREA RESERVED FOR KEYING PART (BASIC P/N 100525).
- 4 CONTACT CAVITIES SUITABLE FOR $\phi 4.8$ HIGH CURRENT, HIGH FREQUENCY (CABLE OR BOARD MOUNT) OR FIBRE OPTIC CONTACTS AS PER DIN 41626 (ALSO SEE NOTE 10 AND 11).
- 5 PATTERN FOR FIBRE OPTIC CONTACTS.
- 6 NON PLATED THROUGH HOLES FOR CABLE MOUNT APPLICATIONS. REFERENCE APPLICABLE BOARD MOUNT POWER OR COAX CONTACT DRAWING FOR PCB HOLE LAYOUT.
- 7 NON PLATED THROUGH HOLES.



RECOMMENDED PCB-HOLE LAY-OUT
 COMPONENT SIDE SHOWN

646703-1
 PART NUMBER

THIS DRAWING IS A CONTROLLED DOCUMENT.		DWN L. BRINER 2/27/01	AMP Incorporated Harrisburg, PA 17105-3608	
DIMENSIONS: mm		CHK R. PATTERSON 2/27/01	NAME R. PATTERSON	
TOLERANCES UNLESS OTHERWISE SPECIFIED: ϕ -PLC \pm 1-PLC \pm 2-PLC ± 0.1 3-PLC \pm 4-PLC \pm ANGLES \pm		APVD R. PATTERSON 2/27/01	PRODUCT SPEC -	
MATERIAL 1		FINISH -	APPLICATION SPEC -	RESTRICTED TO -
WEIGHT -		SIZE A100779	DRAWING NO C- 646703	SCALE 5:1
CUSTOMER DRAWING		SHEET 1 OF 1 REV A		