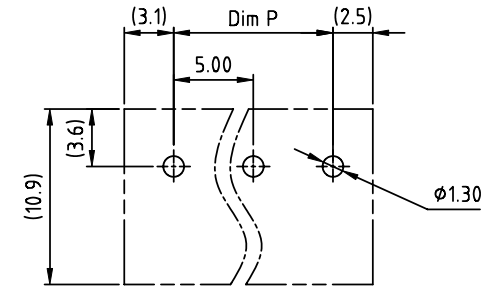
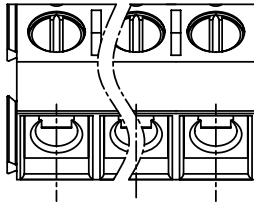
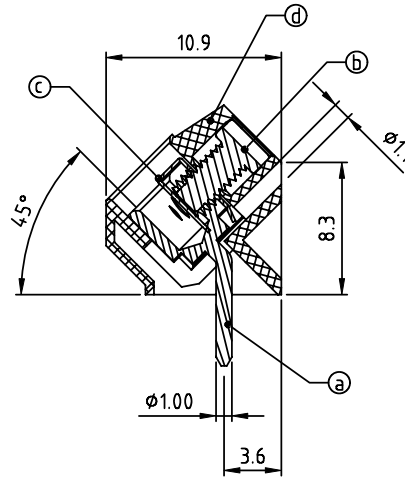
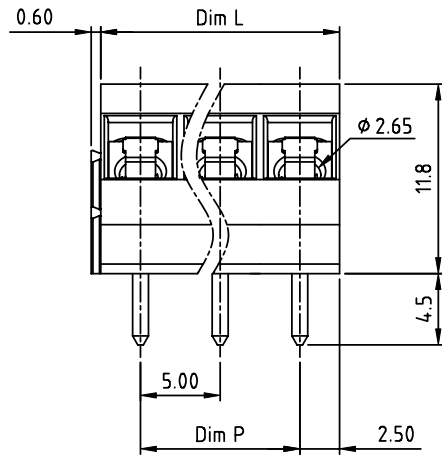


PRODUCT NUMBER	PITCH
VYxx01xC00J0G	5.00 mm



RECOMMENDED P.C.B LAYOUT  
TOP VIEW



Material:

- Item (a) Terminal body(metal housing): Brass, Tin plated
- Item (b) Terminal screw: Steel Zinc plating "-" slot type
- Item (c) Wire guard: Stainless steel
- Item (d) Insulator (housing): High temp. polyamide (UL94V-0)

Electrical cULus

- Voltage rating: 300VAC
- Current rating: 15A
- Wire range:
- Solid wire(AWG): 14-22
- Stranded wire(AWG): 14-22
- Torque(Lb-In): 3.5
- Screw: M2.6
- Wire strip length: 6-7mm
- Withstanding Voltage: 1.6KV
- Reflow Operating temperature: -40°C to +115°C
- Soldering temperature: 260°C/10Sec max

N=Number of poles  
Dim L=Nx5.0  
Dim P=(N-1)x5.0

Poles	Dim L	Dim P
2-6p	±0.15	±0.10
7-12p	±0.20	±0.20
13-18p	±0.30	±0.25
19-24p	±0.40	±0.30

PART NO.: VY xx 01 x C 00J0 G

End stackable  
No. of poles  
02 2 poles  
03 3 poles  
...  
24 24 poles

Body Color  
0 Black (RAL9005)

RoHS compliant  
(lead-4%)  
In copper Alloy

mat'l. code		surface ASME Y14.5	tolerance ASME Y14.5	projection	product family TERMINAL BLOCK
ltr	ecn no	dr	date	tolerances unless otherwise specified	title TERMINAL BLOCK
				angles X±1°	scale MM
				dr	WIRE PROTECTOR, 45D WIRE INLET, THR
				enr	dwg no
				chr	sheet 1 of 1 size
				appd	VYxx01xC00J0G A4
					type CUSTOMER Drawing
sheet index	revision	A			
	sheet	1			