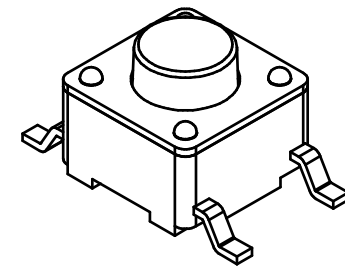
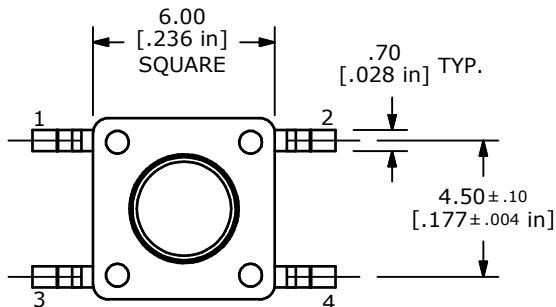
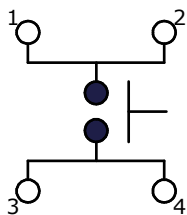


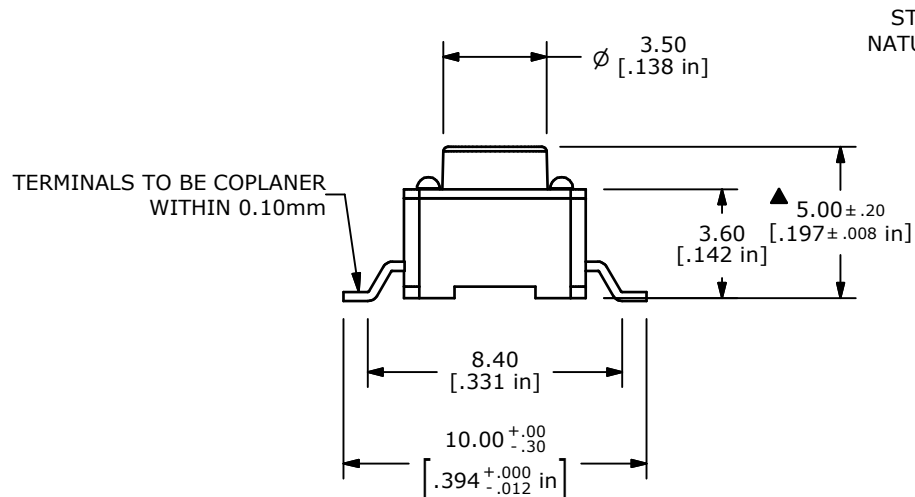
P.C.B. LAYOUT



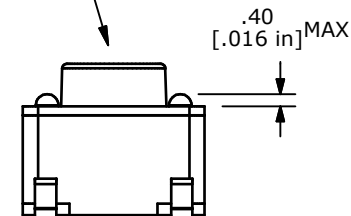
ISOMETRIC



CIRCUIT: SPST



STEM COLOR:
NATURAL (WHITE)



NOTES:

1. ALL DIMENSIONS IN MM [INCH].
2. GENERAL TOLERANCE: x.xx ± 0.4
x.xx ± 0.25
3. TERM. NOS. FOR REFERENCE ONLY.
4. RATING: 50mA @ 12VDC
- ▲5. OPERATING FORCE: 260 ± 50 gms
6. TRAVEL: 0.25+0.20/-0.10 mm
7. CONTACT RESISTANCE: 100 MILLI-OHMS MAX. (INITIAL)
8. MECHANICAL/ELECTRICAL LIFE: 100,000 CYCLES MIN.
- ▲9. CONTACTS: GOLD
- ▲10. PACKAGING: BULK, 750 PIECES PER POLY BAG
11. ▲ DENOTES CRITICAL PARAMETER.
12. 2002/95/EC (ROHS) COMPLIANT.



TITLE TL3301AF260RG

A	18617	Release For Production	8/31/09	BLR
REV	PCR NO	DESCRIPTION	DATE	BY

SCALE	DATE	DR	DWG	REV
4:1	8/31/2009	BLR	P010654	A

THE INFORMATION CONTAINED IN THIS DOCUMENT IS PROPRIETARY TO E-SWITCH AND IS NOT TO BE COPIED OR TRANSFERRED