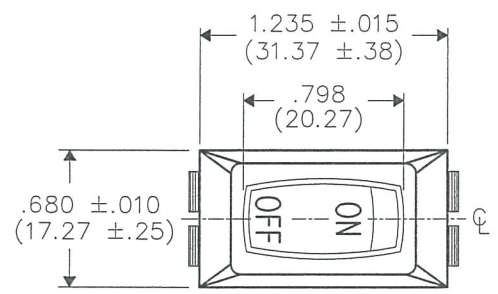
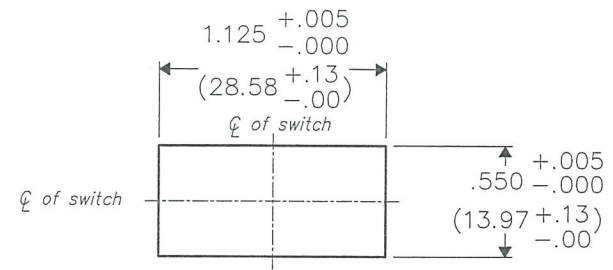


THIS INFORMATION IS CONFIDENTIAL AND PROPRIETARY TO CW INDUSTRIES INCORPORATED AND ITS AFFILIATES. IT MAY NOT BE DISCLOSED TO ANYONE OTHER THAN CW INDUSTRIES PERSONNEL, WITHOUT WRITTEN AUTHORIZATION FROM CW INDUSTRIES INCORPORATED, SOUTHAMPTON, PENNSYLVANIA USA.

F  
D  
C  
B  
A

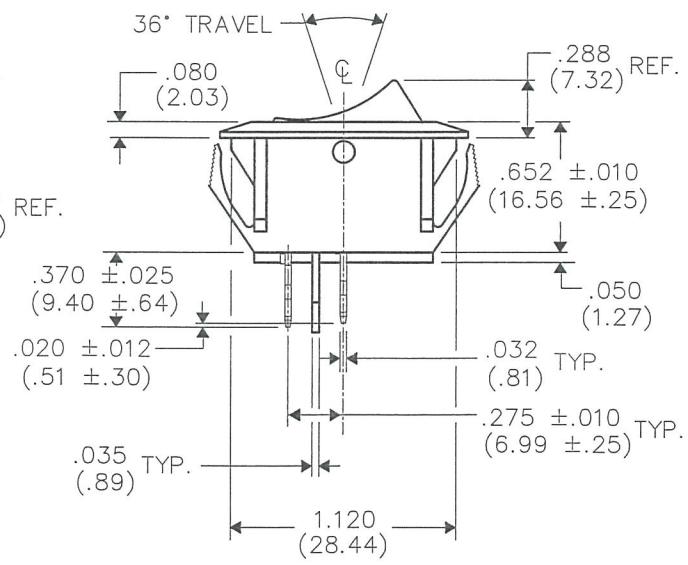
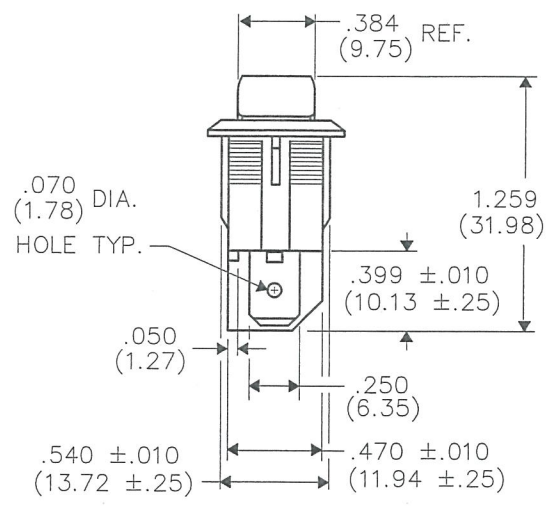
DIMENSIONS IN INCHES (MILLIMETERS)  
 DO NOT SCALE DRAWING .....  
 Dwg. No. **GRS-2011-2015**

**PANEL PIERCING**



SWITCH COLOR - Black  
 LEGEND COLOR - White

**SWITCH RATINGS:**  
 UL & CSA  
 16A. 125VAC 12A. 250VAC  
 3/4 H.P. 125-250 VAC  
 10A. 14V (T)



1 2 3 4 5 6 7 8 9 10

B-FORMAT 2002	<b>REVISIONS</b> 0 RELEASED 7-01-13 JUL 19 2013									
---------------	--	--	--	--	--	--	--	--	--	--

PDF MADE	<b>CW INDUSTRIES</b> Southampton, Pa. 18966		Title: <b>ROCKER SWITCH ASSEMBLY S.P.S.T.</b> <b>NON-POLARIZED W/BARRIER</b> <b>1.125" x .550" PANEL</b>	
	TOLERANCES UNLESS OTHERWISE SPECIFIED 2 Place Decimal ±.010 METRIC 3 Place Decimal ±.005 1 Place Dec. ±.25mm Angles ..... ±1' 2 Place Dec. ±.13mm		Division: <b>SWITCH</b>	
	Made for: CW IND.		Dwg. No. <b>GRS-2011-2015</b>	
	Drawn by: DGW 7-01-13 Checked by: <i>G. Gold 7-2-13</i> Approval: <i>G. Gold 7-2-13</i>			

MASTER