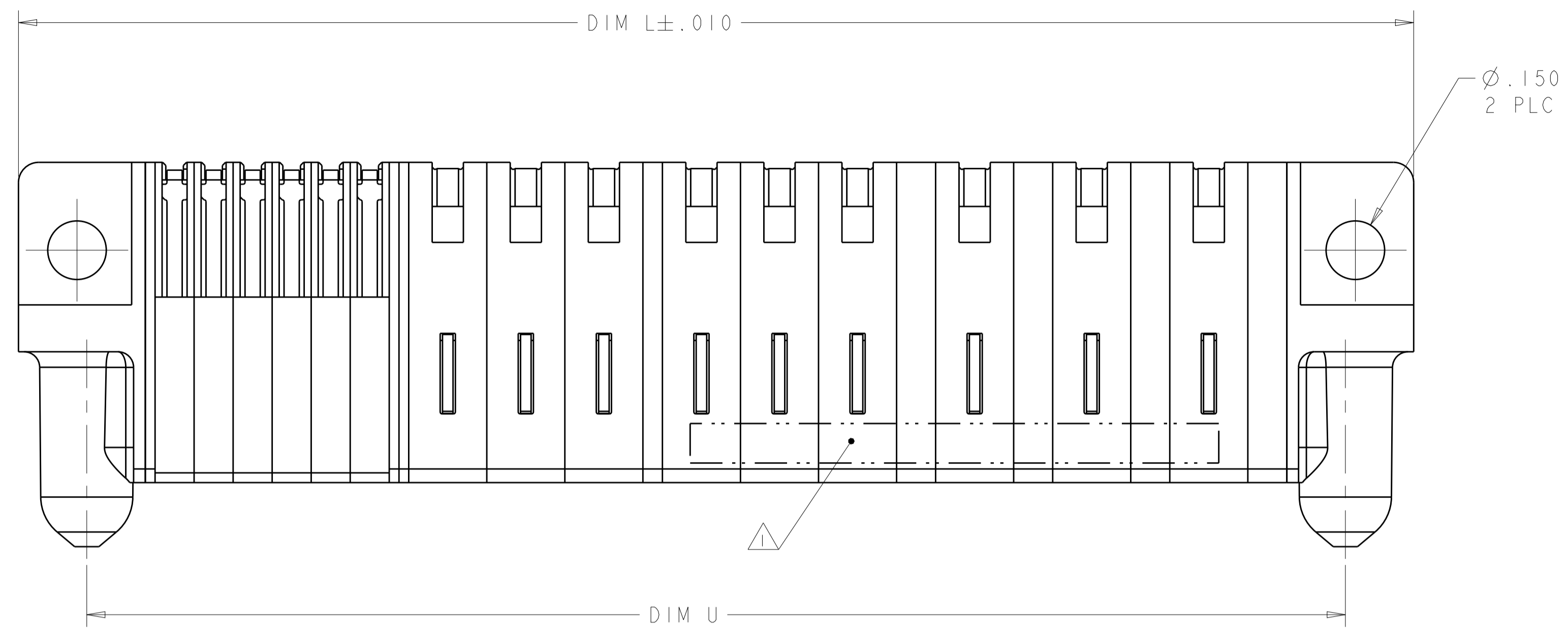
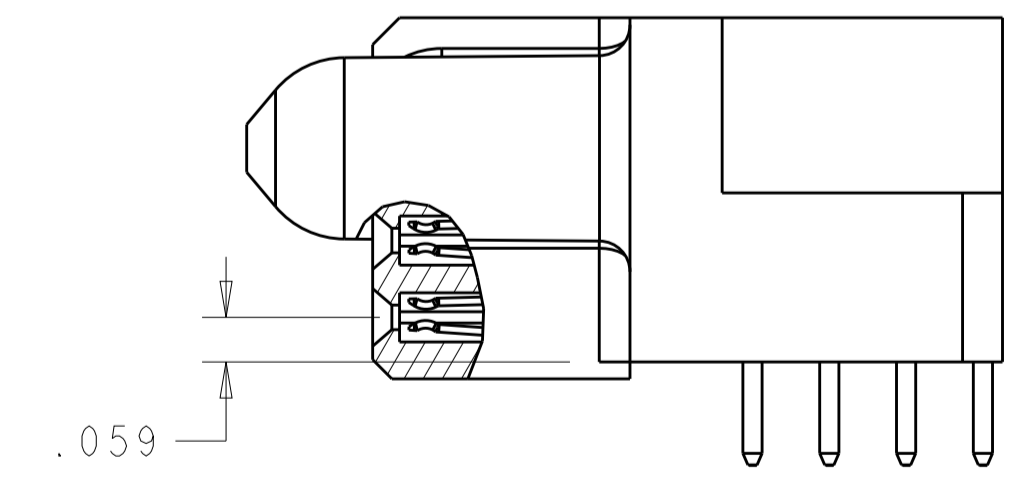
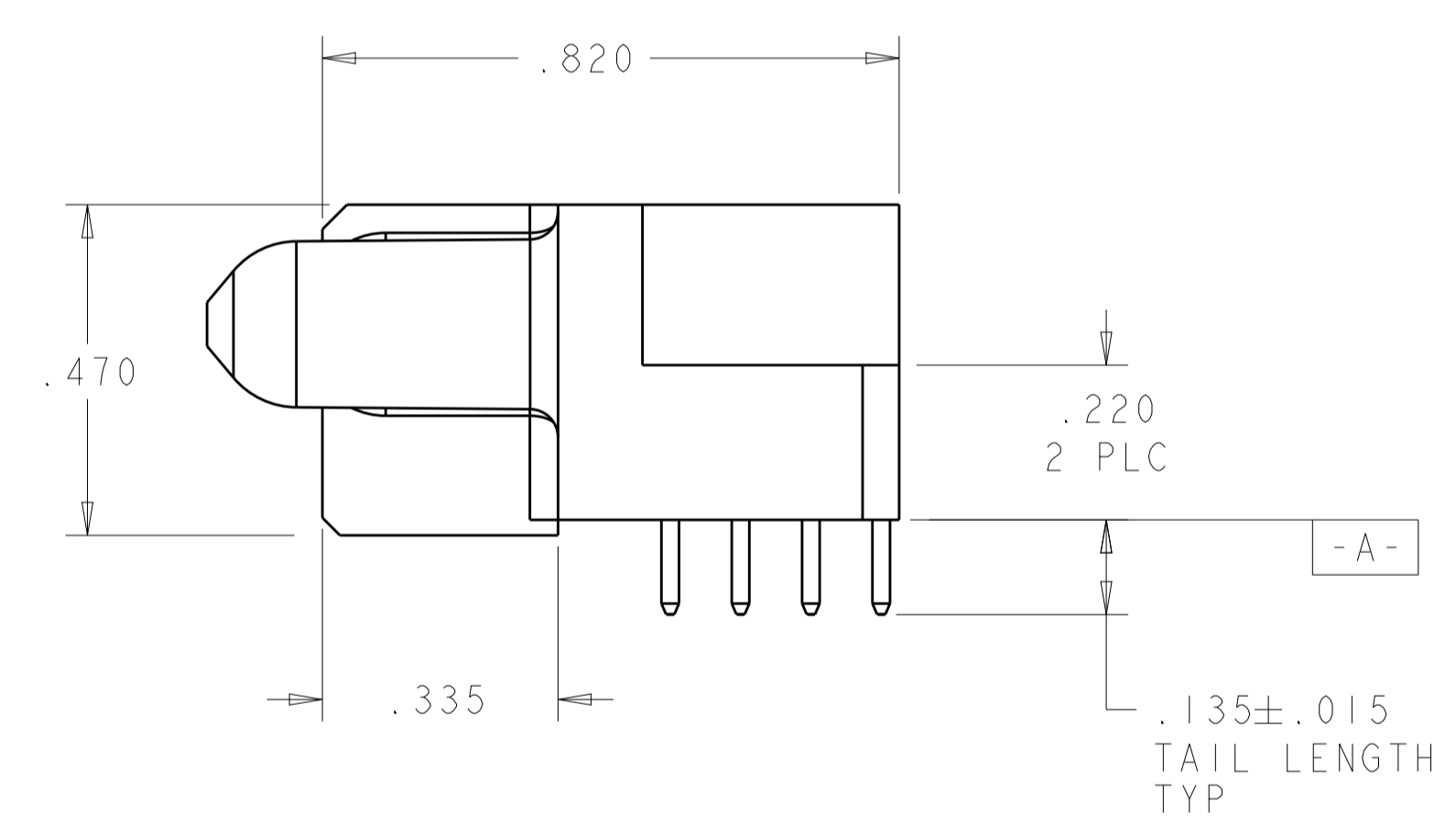
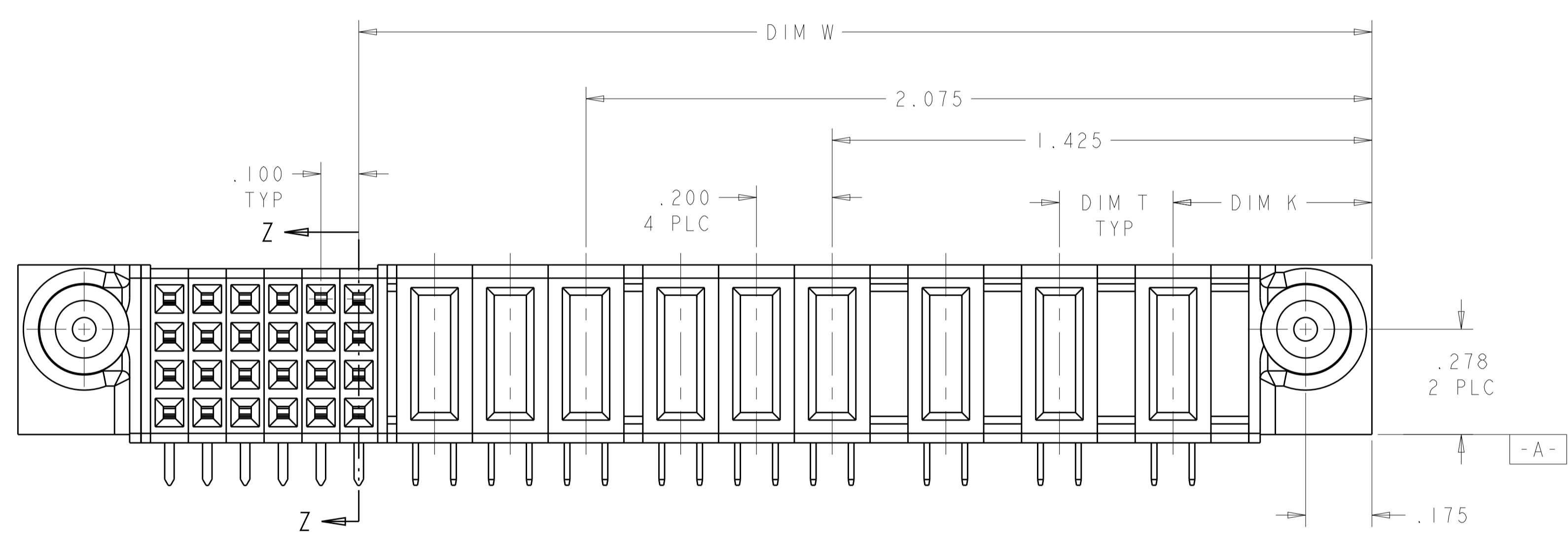


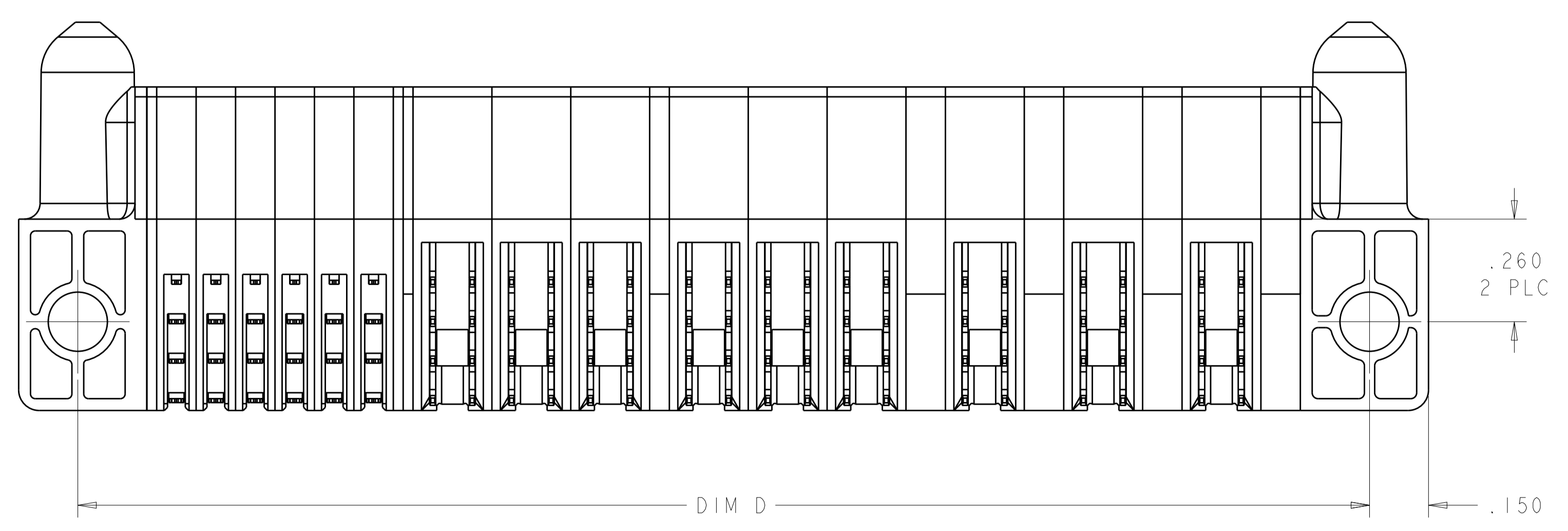
LOC		DIST		REVISIONS			
ES	00	P	LTM	DESCRIPTION	DATE	DWN	APVD
		A		REV PER ECR-06-011989	18MAY2006	M, L	S, Y
		B		REV PER ECR-12-011791	03JUL2012	CZ	SZ
		B1		ADVISED	28FEB2013	ML	SZ



- 1 "AMP", PART NUMBER AND DATE CODE TO BE MARKED IN AREA SHOWN.
- 2 MATERIAL: HOUSING - GLASS FILLED HIGH TEMP THERMO PLASTIC, UL94 V-0.  
SIGNAL CONTACT - COPPER ALLOY  
POWER CONTACT - HIGH CONDUCTIVITY COPPER ALLOY
- 3 CONTACT PLATING: .000050 MIN Ni UNDER ALL. NOBLE METAL PLATED ON CONTACT FUNCTIONAL MATING AREA AND TIN AT PCB INTERFACE.
- 4 MECHANICAL CONNECTOR KEEP OUT ZONE.
- 5 DATUM AND BASIC DIMENSIONS ESTABLISHED BY CUSTOMER.
- 6 PCB - ALL HOLE DIAMETERS ARE FINISHED HOLE SIZES
- 7 PCB - .0453±.0010 DRILLED HOLES PLATED WITH .0003 MIN Sn OVER .001 TO .003 Cu PLATING TO ACHIEVE A .040 DIAMETER HOLE
- 8 VARIABLE DIMENSIONS PLEASE SEE TABLE.



SECTION Z-Z



2.875	2.300	2.825	.475	3.175	3ACP + 4P + 24S	6450372-3
3.275	2.675	3.225	.525	3.575	3ACP + 6P + 24S	6450372-1
DIM D	DIM T	DIM W	DIM U	DIM K	DIM L	DESCRIPTION
						PART NUMBER

THIS DRAWING IS A CONTROLLED DOCUMENT. DWN: R. GRZYBOWSKI 29AUG05  
 CHK: M. PERCHERKE 29AUG05

DIMENSIONS: INCHES. TOLERANCES UNLESS OTHERWISE SPECIFIED:  
 0 PLC ±.01  
 1 PLC ±.01  
 2 PLC ±.01  
 3 PLC ±.005  
 4 PLC ±.0020  
 ANGLES ±.7°

MATERIAL: FINISH: 2 3

APVD: M. PERCHERKE  
 PRODUCT SPEC: 108-1973  
 APPLICATION SPEC: 114-13038  
 WEIGHT: -

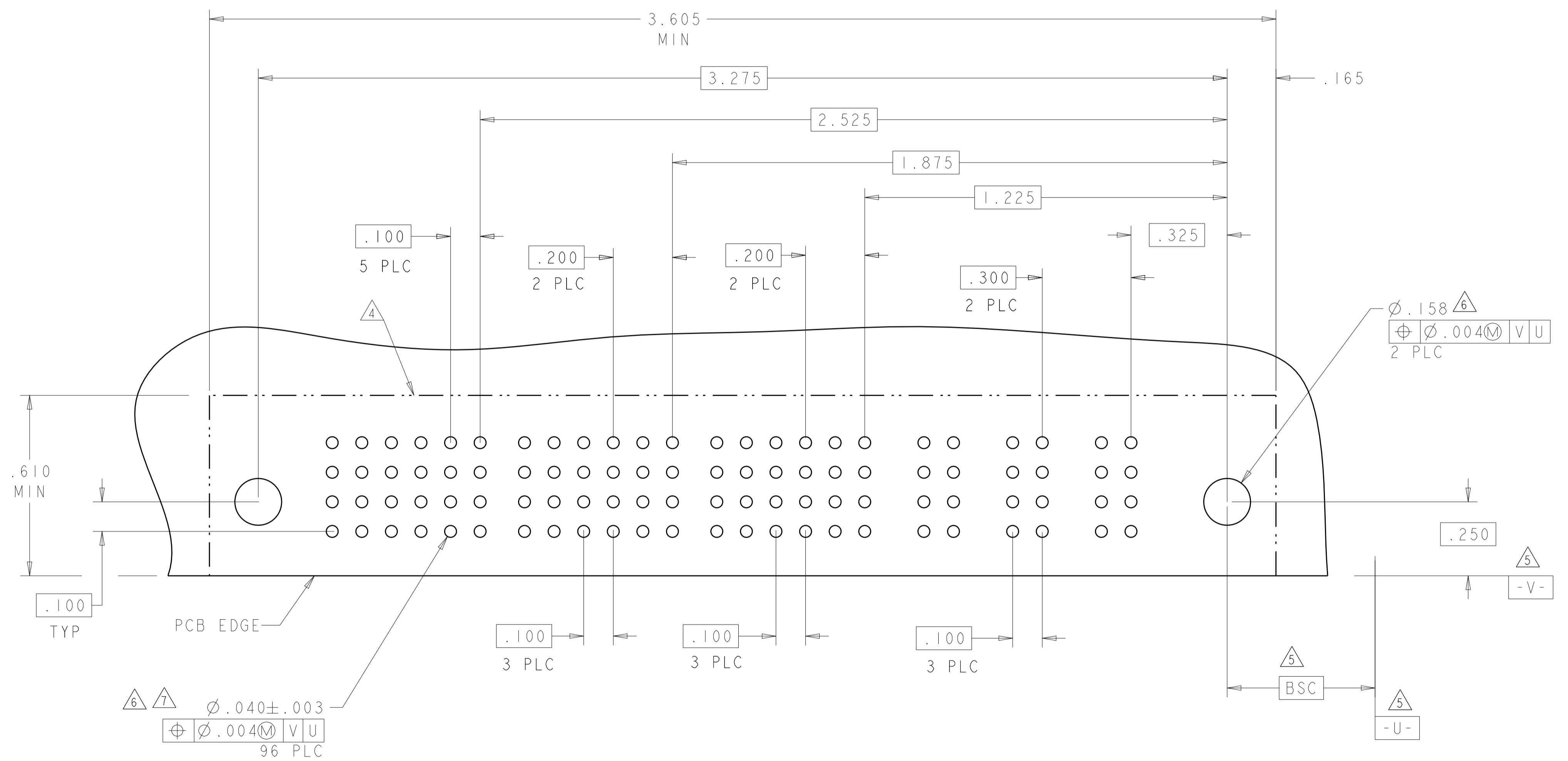
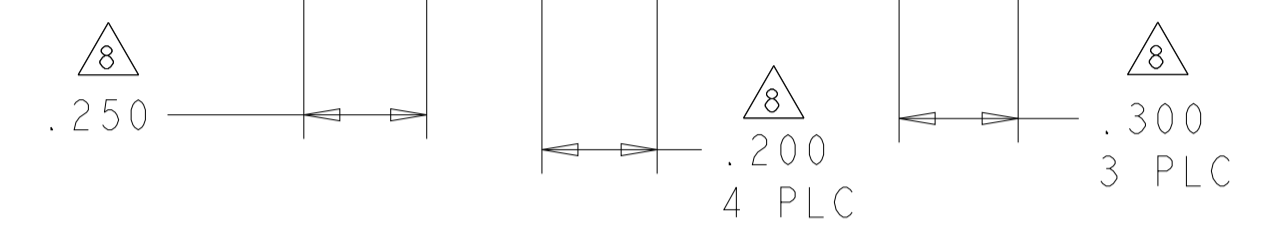
NAME: RIGHT ANGLE RECEPTACLE ASSEMBLY WITH GUIDES, SOLDER CONTACT MULTI-BEAM XL  
 SIZE: A1  
 CAGE CODE: 100779  
 DRAWING NO: 6450372

CUSTOMER DRAWING SCALE: 4:1 SHEET 1 OF 3 REV: B1

LOC		DIST		REVISIONS			
P	LYR	DESCRIPTION	DATE	DMN	APVD		
ES	00	SEE SHEET 1					

PART NUMBER	ROWS	SIGNAL						POWER								
		6	5	4	3	2	1	P9	P8	P7	P6	P5	P4	P3	P2	P1
6450372-1	D	H	H	H	H	H	H	RM	RM	RM	RM	RM	RM	RA	RM	RM
	C	G	G	G	G	G	G									
	B	F	F	F	F	F	F									
	A	E	E	E	E	E	E									

3ACP + 6P + 24S



.610 MIN

.100 TYP

PCB EDGE

6 7  
 $\varnothing .040 \pm .003$   
 $\varnothing .004 M$  V U  
 96 PLC

CODE	TAIL LENGTH	TYPE
RM	.135	STD
RA	.135	MFBL

CODE	TAIL LENGTH	ROW
H	.135	D
G	.135	C
F	.135	B
E	.135	A

THIS DRAWING IS A CONTROLLED DOCUMENT. DWN: R. GRZYBOWSKI 29AUG05  
 CHK: M. PERCHERKE 29AUG05

TE Connectivity

RIGHT ANGLE RECEPTACLE ASSEMBLY WITH GUIDES, SOLDER CONTACT MULTI-BEAM XL

APVD: M. PERCHERKE

PRODUCT SPEC: 108-1973

APPLICATION SPEC: 114-13038

WEIGHT: -

CUSTOMER DRAWING

SCALE: 4:1 SHEET 2 OF 3 REV: B1

