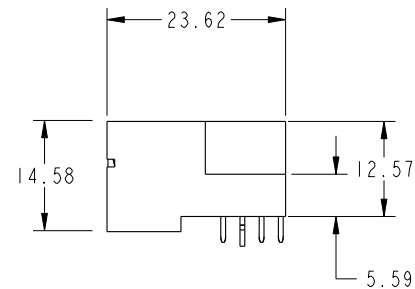
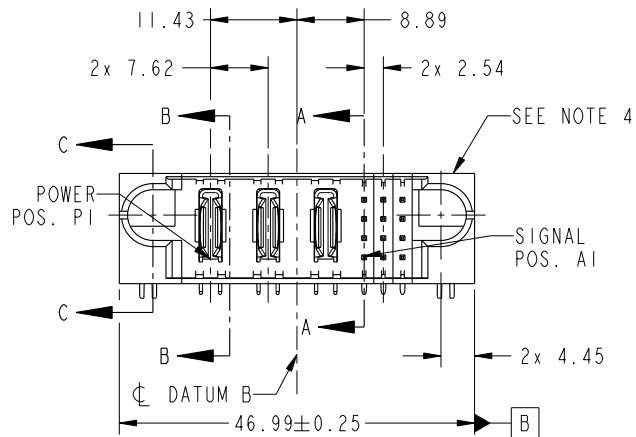


PRODUCT NO.	ROWS	POWER			SIGNAL					
		E1	P1	P2	P3	1	2	3	E2	
51939-950-- NOTE 3	D C B A									

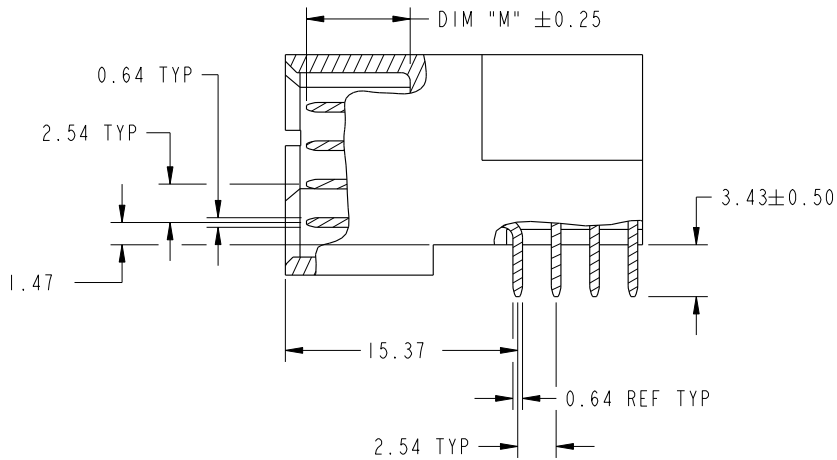


CODE	DIM "M" MATING LENGTH	CONTACT TYPE
U	[6.86]	SIGNAL
T	[6.86]	SIGNAL
S	[6.86]	SIGNAL
R	[6.86]	SIGNAL
PA	[N/A]	POWER
HA	[N/A]	HOLD-DOWN

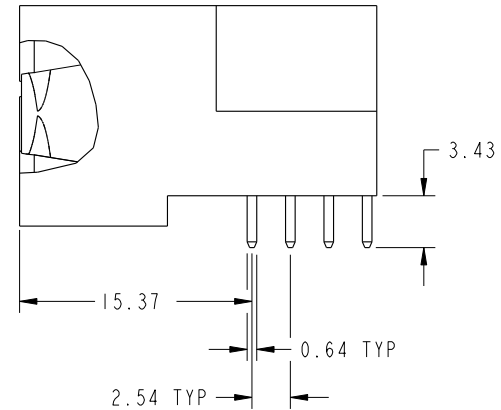
spec ref	*	dr	Luo Weller	2014/12/26	projection 	MM ←→	size	A4	scale	1:1
tolerance std	ASME Y14.5	eng	Luo Weller	2015/01/12			ecn no	-		
TOLERANCES UNLESS OTHERWISE SPECIFIED		chr	-	-			rel level	Released		
surface	✓	appr	Pei-Ming Zheng	2015/01/12	product family	PwrBlade	rev			
ASME Y14.5	linear	0.X	±0.5		title	3ACP + 12S	dwg no	51939-950	rev	A
		0.XX	±0.25							
		0.XXX	±0.1							
	angular	0°	±2°	www.fci.com	cat. no.	-	Product - Customer Drw	sheet 1 of 4		

PRODUCT NUMBER

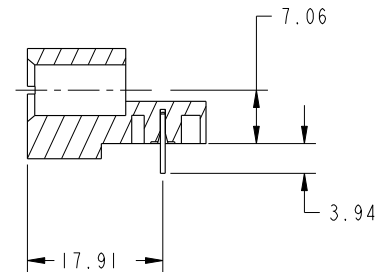
51939-950--  
NOTE: 3



BROKEN-OUT SECTION A-A  
SCALE 2:1



BROKEN-OUT SECTION B-B  
SCALE 2:1



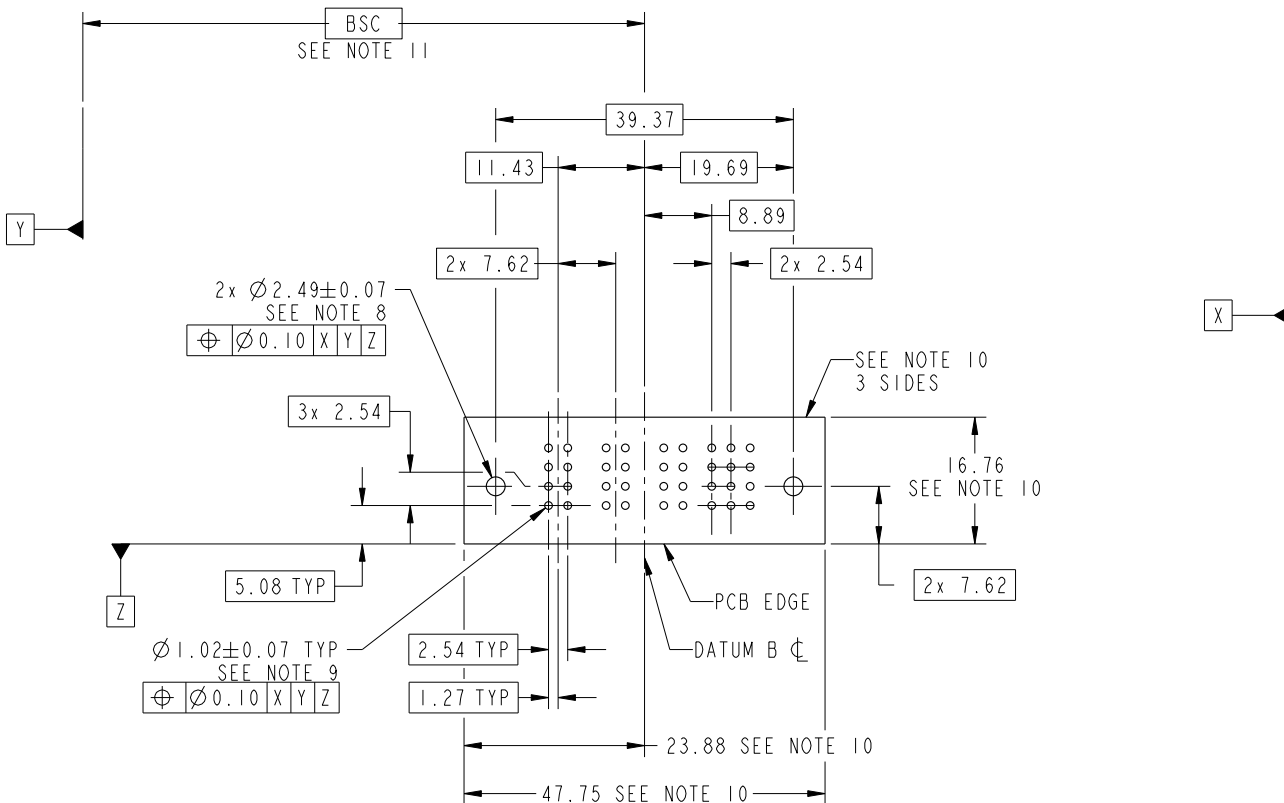
SECTION C-C

dr	Luo Weller	2014/12/26	projection 	MM ←————→	size	A4	scale	1:1	
eng	Luo Weller	2015/01/12			ecn no	-			
chr	-	-							
appr	Pei-Ming Zheng	2015/01/12	product family	PwrBlade	rel level	Released			
	title	3ACP + 12S RIGHT ANGLE SOLDER HEADER			dwg no	51939-950		rev	A
www.fci.com	cat. no.	-	Product - Customer Drw			sheet 2 of 4			



PRODUCT NUMBER

51939-950--  
NOTE: 3



RECOMMENDED PCB LAYOUT

dr	Luo Weller	2014/12/26	projection 	MM 	size	A4	scale	1:1
eng	Luo Weller	2015/01/12			ecn no	-		
chr	-	-			rel level	Released		
appr	Pei-Ming Zheng	2015/01/12	product family	PwrBlade	rel level	Released		
	title	3ACP + 12S RIGHT ANGLE SOLDER HEADER		dwg no	51939-950		rev	A
www.fci.com	cat. no.	-	Product - Customer Drw	sheet 3 of 4				

PRODUCT NUMBER

51939-950--  
NOTE: 3

NOTES:

1. DIMENSIONS AND TOLERANCES ARE IN ACCORDANCE WITH ASME Y14.5M, 1994 UNLESS OTHERWISE SPECIFIED.

CONNECTOR NOTES:

- 2. HOUSING MATERIAL: UL 94 V-0 GLASS FILLED HIGH-TEMP THERMOPLASTIC  
POWER CONTACT MATERIAL: COPPER ALLOY  
SIGNAL PIN MATERIAL: COPPER ALLOY
  - 3. SEE ITEM 1 & 2 IN PRINT 10064183 FOR PLATING SPEC OF 51939-950 AND 51939-950LF RESPECTIVELY.
  - 4. MANUFACTURER'S NAME, DATE CODE AND OPTIONAL P/N TO APPEAR ON THIS SURFACE. THE MARK CAN BE OMITTED IF THERE IS NOT ENOUGH SPACE ON THIS SURFACE.
  - 5. PRODUCT SPECIFICATION GS-12-149.  
APPLICATION SPECIFICATION BUS-20-067.
  - 6. PACKAGED IN TRAYS.
- PCB NOTES:
- 7. ALL HOLE DIAMETERS ARE FINISHED HOLE SIZE.
  - 8. MOUNTING HOLES, WHERE APPLICABLE, ARE UNPLATED.
  - 9.  $\varnothing 1.151 \pm 0.025$  DRILLED HOLES PLATED WITH  
0.008 MIN SnPb OR Sn OVER 0.03  
TO 0.08 Cu PLATING TO ACHIEVE  
 $\varnothing 1.02 \pm 0.07$  HOLE.
  - 10. CONNECTOR KEEP-OUT ZONE.
  - 11. DATUM AND BASIC DIMENSIONS ARE ESTABLISHED BY CUSTOMER.

dr	Luo Weller	2014/12/26	projection 	MM 	size	A4	scale	1:1			
eng	Luo Weller	2015/01/12			ecn no	-					
chr	-	-			product family	PwrBlade	rel level	Released			
appr	Pei-Ming Zheng	2015/01/12			title	3ACP + 12S		dwg no	51939-950	rev	A
www.fci.com		cat. no.	-	Product - Customer Drw			sheet 4 of 4				



Copyright FCI.