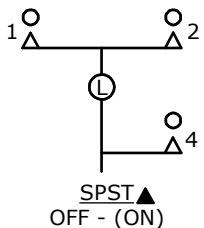


RECOMMENDED PANEL MOUNTING

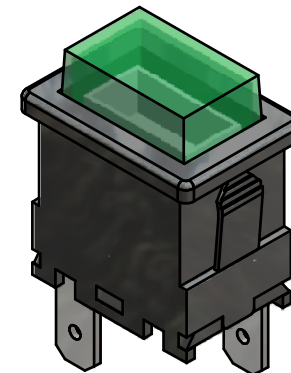
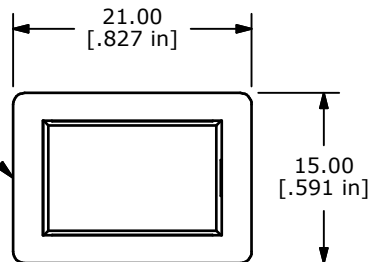
| PANEL THICKNESS | X |
|-----------------|------|
| 0.75-1.25 | 19.2 |
| 1.25-2.00 | 19.4 |
| 2.00-3.00 | 19.6 |



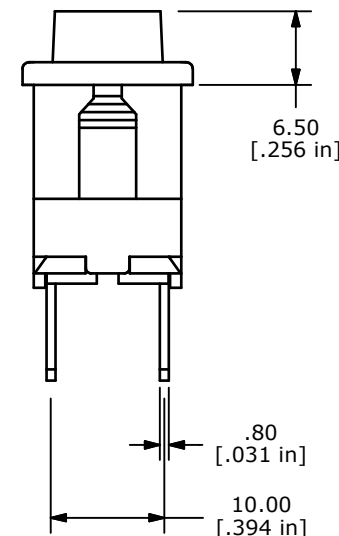
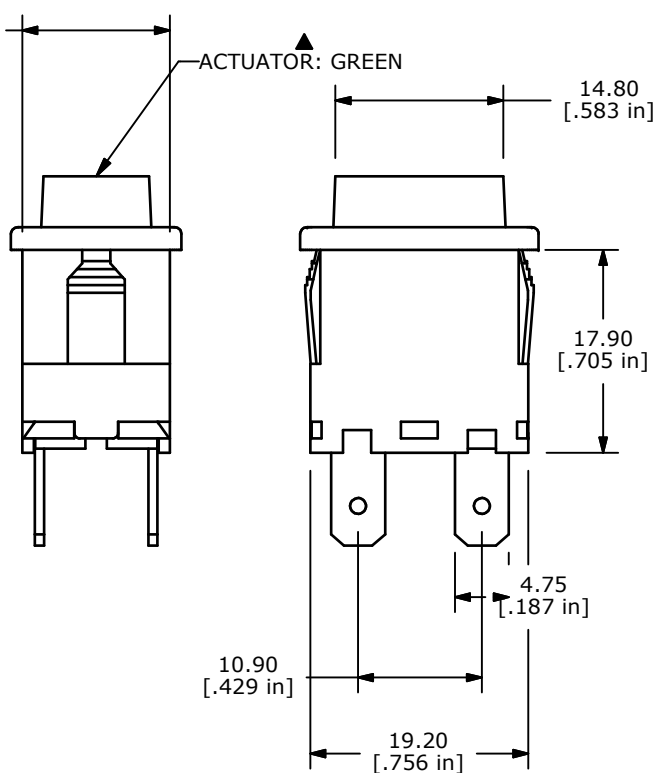
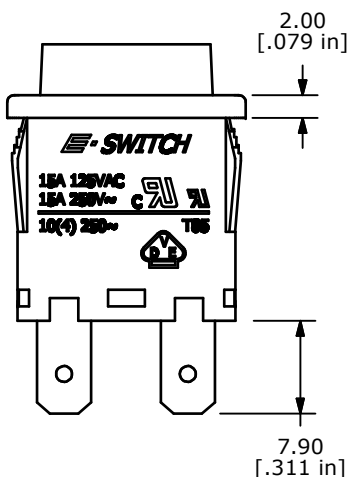
| SWITCH FUNCTION | |
|-----------------|--------|
| POS. 1 | POS. 2 |
| | |
| OFF | ON |
| OPEN | (1-2) |

(ON) = MOMENTARY

HOUSING: BLACK



ISOMETRIC



NOTES:

- ALL DIMENSIONS IN MM [INCH]
- GENERAL TOLERANCE: X.X=±0.4
X.XX=±0.25
- MECHANICAL LIFE: 30,000
- ELECTRICAL LIFE: 10,000
- CONTACT RESISTANCE: 20 mILLI OHMS
- INSULATION RESISTANCE: 1000 MEGA OHMS
- OPERATING TEMPERATURE: -10°C TO 55°C
- CONTACT RATING: 15A-250 VAC, 125VAC UL APPROVED
10A 250VAC, VDE APPROVED
- DIELECTRIC STRENGTH: 1500V FOR 1 MIN
- LAMP: INCANDESCENT, 24VDC
- ▲ DENOTES CRITICAL PARAMETER
- 2002/95/EC (RoHS) COMPLIANT.
- OPERATING FORCE: 750±100grams



TITLE PB1973DBLKGILEF4

| | | | | |
|-----|--------|-----------------|---------|----|
| B | 1772 | ADDED NOTE # 12 | 9/27/07 | BF |
| REV | PCR NO | DESCRIPTION | DATE | BY |

THE INFORMATION CONTAINED IN THIS DOCUMENT IS PROPRIETARY TO E-SWITCH AND IS NOT TO BE COPIED OR TRANSFERRED

| | | | | |
|-------|-----------|----|---------|-----|
| SCALE | DATE | DR | DWG | REV |
| 1.5 | 9/27/2007 | BF | M197308 | B |