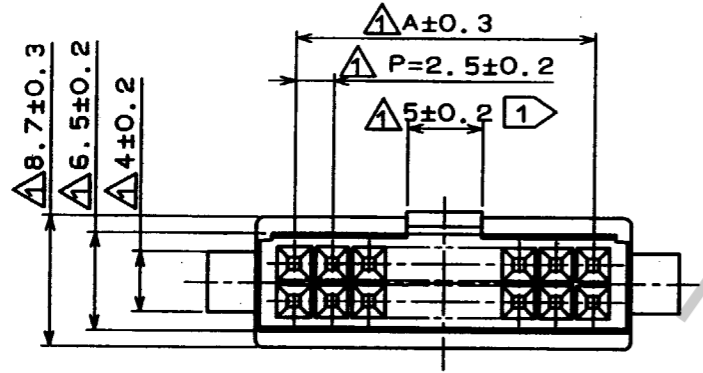
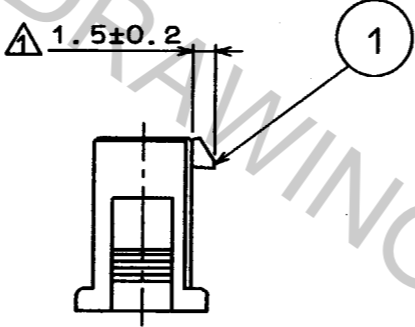
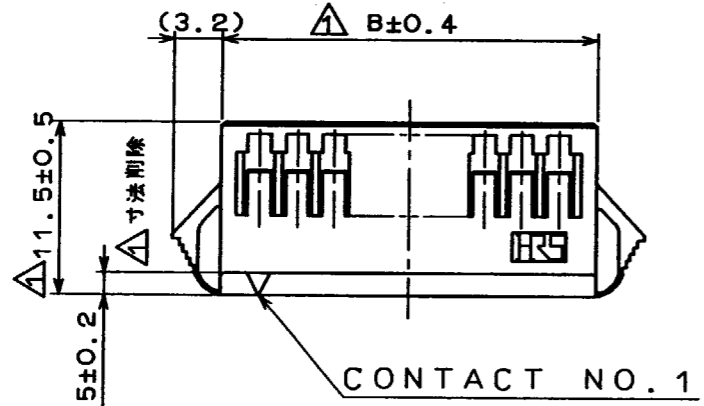
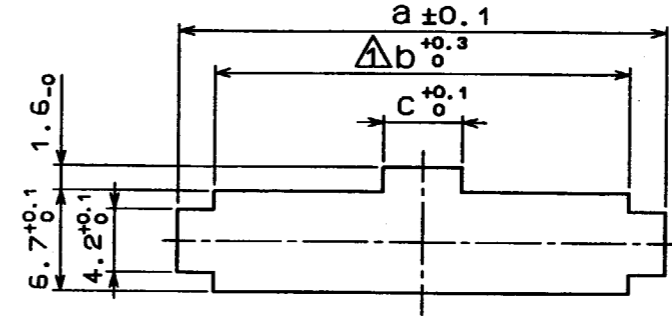


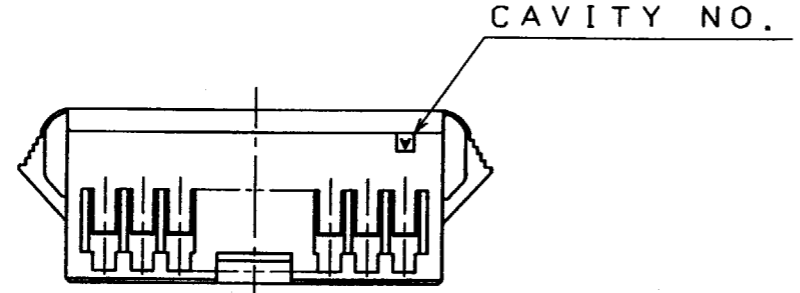
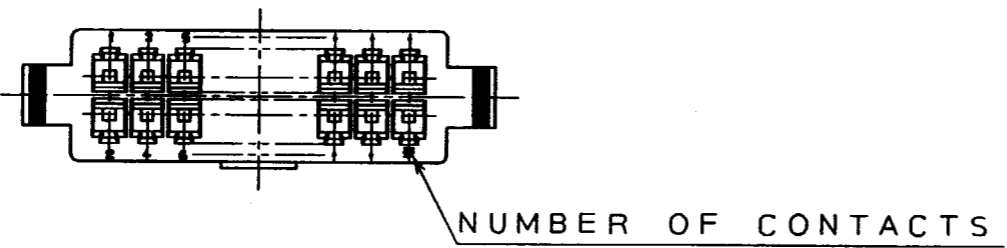
COUNT	DESCRIPTION OF REVISIONS	BY	CHKD	DATE	COUNT	DESCRIPTION OF REVISIONS	BY	CHKD	DATE
12	RE-H-1698	R.S	T.O	96.2.8					



< PANEL CUTOUT >



PLEASE NOTE THAT A DIMENSION (PANEL THROUGH HOLE) VARY WITH THICKNESS OF PANEL WHEN YOU MOUNT DF1B EXTENSION SOCKET TO THE PANEL. AND PLEASE PROCESS THE PANEL THROUGH HOLE WITHOUT BURR.



PANEL CUTOUT

HRS NO.	PART NO.	A		B		PANEL THICKNESS			b	c
		A	B	a	a	a				
		0.5-1.2	1.3-1.6	1.7-2.0						
CL541-0351-1	DF1B-10DES-2.5RC	10.0	15.0	19.1	19.8	20.5	15.2	3.7		
0352-4	12	12.5	17.5	21.6	22.3	23.0	17.7	3.7		
0353-7	14	15.0	20.0	24.1	24.8	25.5	20.2	3.7		
0354-0	16	17.5	22.5	26.6	27.3	28.0	22.7	3.7		
0346-1	18	20.0	25.0	29.1	29.8	30.5	25.2	3.7		
0355-2	20	22.5	27.5	31.6	32.3	33.0	27.7	5.2		
0356-5	22	25.0	30.0	34.1	34.8	35.5	30.2	5.2		
0357-8	24	27.5	32.5	36.6	37.3	38.0	32.7	5.2		
0358-0	26	30.0	35.0	39.1	39.8	40.5	35.2	5.2		
0359-3	28	32.5	37.5	41.6	42.3	43.0	37.7	5.2		
0360-2	30	35.0	40.0	44.1	44.8	45.5	40.2	5.2		
0361-5	32	37.5	42.5	46.6	47.3	48.0	42.7	5.2		
0362-8	34	40.0	45.0	49.1	49.8	50.5	45.2	5.2		

10 CONTACTS TO 18 CONTACTS SHALL BE 3.5mm.

NO.	MATERIAL	FINISH, REMARKS	NO.	MATERIAL	FINISH, REMARKS
			1	POLYAMIDE	NATURAL(WHITE) UL94V-0
CODE NO. (OLD)		DRAWN	DESIGNED	CHECKED	APPROVED
		M. Gotoh	M. Gotoh	T. Oma	M. Yamamoto
		94 324	94 324	94 325	94 325
DRAWING NO.		PART NO.			
EDC3-160094-02		DF1B-*DES-2.5RC			
UNITS		CODE NO.			
mm		CL541-0346-1		1	
		CL541-0362-8		1	

Apr. 1. 2017 Copyright 2017 HIROSE ELECTRIC CO., LTD. All Rights Reserved.

TO