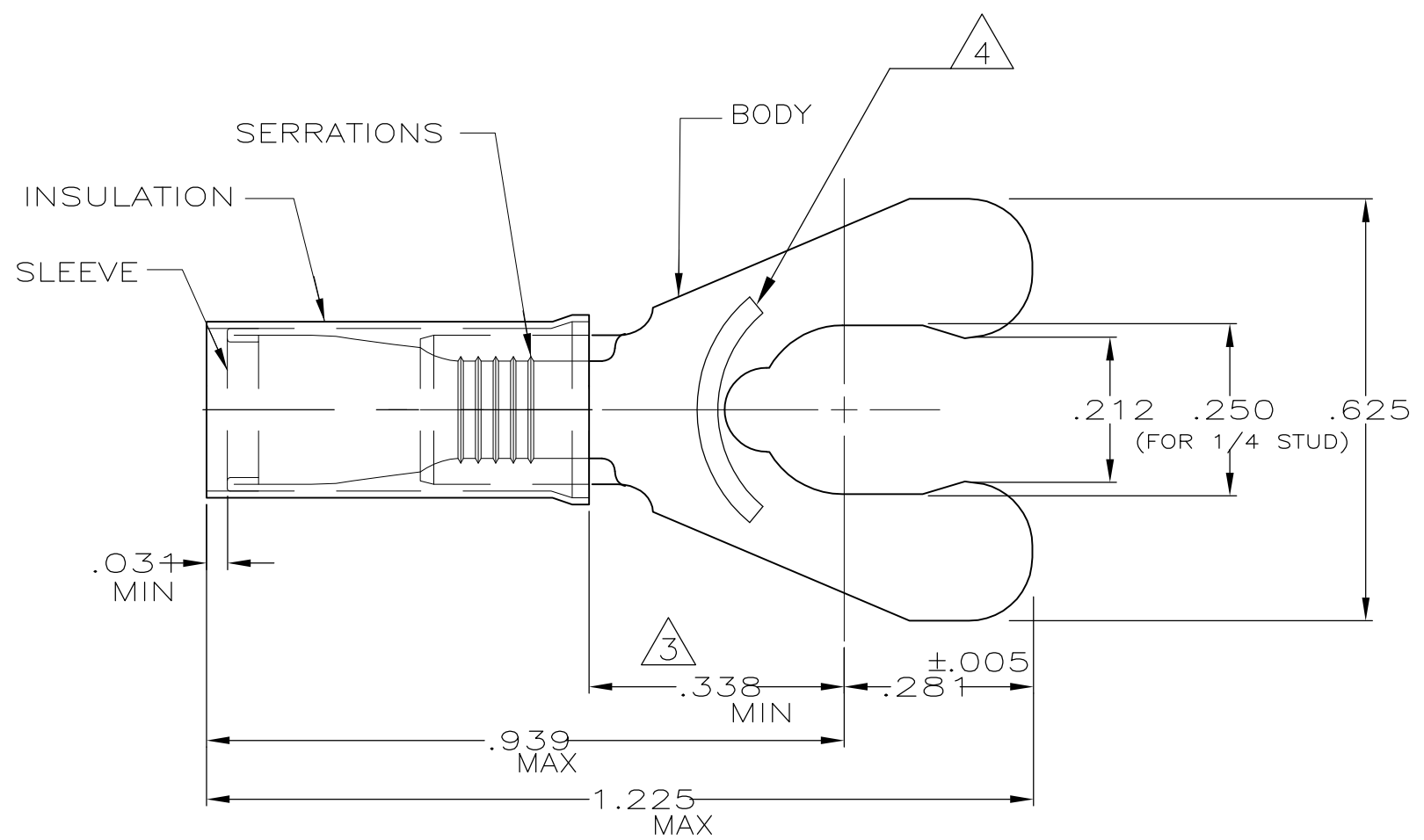


THIS DRAWING IS UNPUBLISHED. RELEASED FOR PUBLICATION  
 © COPYRIGHT BY TYCO ELECTRONICS CORPORATION. ALL INTERNATIONAL RIGHTS RESERVED.

LOC	DIST	REVISIONS					
		P	LTR	DESCRIPTION	DATE	DWN	APVD
G	14		J	REV PER ECR 10-005107	08MAR10	JR	TM

<b>AMP</b> WIRE RANGE	Listed	LR7189 Certified
12-10 AWG SOLID OR STRANDED	12-10 AWG SOLID OR STRANDED	12-10 AWG SOLID OR STRANDED

- 1 FOR WIRE INSULATION DIA OF .150 TO .250.
- 2 TONGUE MATERIAL THK IS .040±.002
- 3 DIMENSION APPLIES FROM EDGE OF METAL WIRE BARREL TO CENTER OF STUD HOLE.
- 4 STAMP " ¼ S AMP 12-10 ", LOCATED APPROX AS SHOWN.
- 5 PRELIMINARY - NOT FOR PRODUCTION



QTY	DESCRIPTION	PART NO.	MATERIAL & FINISH
50	LOOSE PIECE BOX	8-52945-2	INSULATION: NYLON, COLOR: YELLOW SLEEVE: COPPER PER ASTM B-152 BODY: PHOS. BRONZE PER ASTM B-103 TIN PLATE PER ASTM B-545
1000	ON TAPE REEL	52945-1	
500	WIRE TERMINAL	52945	

THIS DRAWING IS A CONTROLLED DOCUMENT.		DWN JR RUTH 25OCT01	Tyco Electronics Corporation Harrisburg, PA 17105-3608	
DIMENSIONS: INCHES		CHK MS FEHER 25OCT01		
TOLERANCES UNLESS OTHERWISE SPECIFIED:		APVD T MICHELUTTI 25OCT01	NAME WIRE TERMINAL, PIDG, SPRING SPADE, (STUB) 12-10 AWG	
0 PLC ± -		PRODUCT SPEC	SIZE	
1 PLC ± -		APPLICATION SPEC	CAGE CODE	
2 PLC ± -		—	DRAWING NO	
3 PLC ± .008		—	RESTRICTED TO	
4 PLC ± -		—	A3 00779 C-52945	
ANGLES ± .5°		WEIGHT	SCALE	
MATERIAL SEE TABLE		—	4:1	
FINISH SEE TABLE		CUSTOMER DRAWING		SHEET
				1 OF 1
				REV
				J