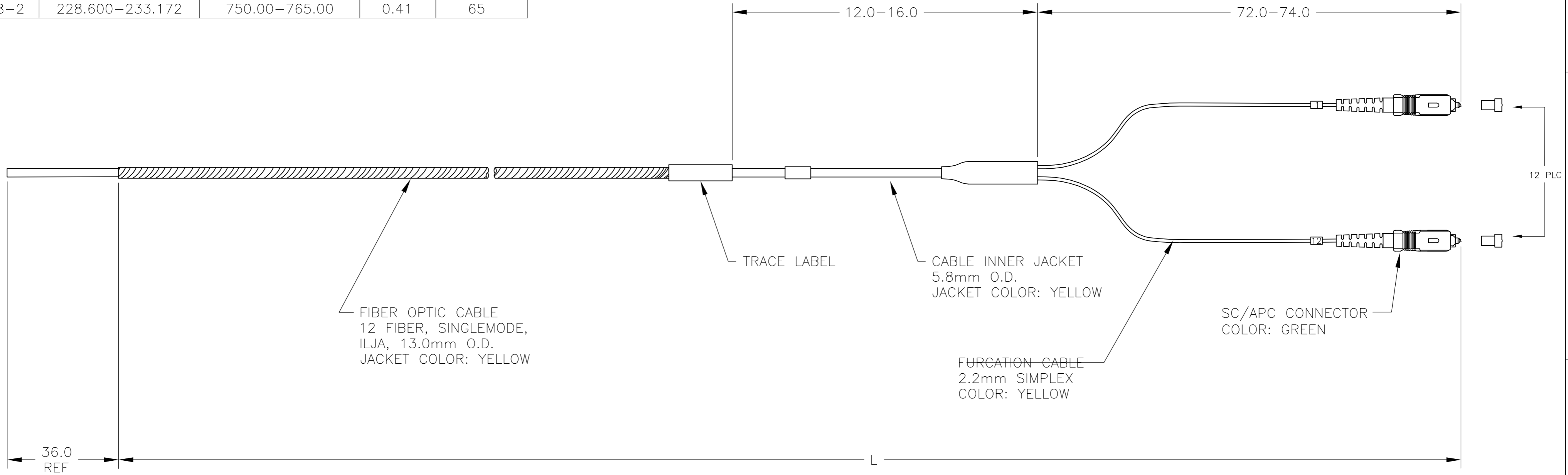


THIS DRAWING IS UNPUBLISHED. RELEASED FOR PUBLICATION
 © COPYRIGHT - By - ALL RIGHTS RESERVED.

LOC	DIST	REVISIONS			
P	LTR	DESCRIPTION	DATE	DWN	APVD
HP	00				
B		REVISE PER ECO-14-009265	19JUN14	JS	JS

PART NUMBER	L (METERS)	CUT LENGTH (METERS)	SC/APC, GREEN	
			IL (dB)	RL (dB)
2193258-1	30.480-31.394	100.00-103.00	0.32	65
2193258-2	60.960-62.179	200.00-204.00	0.33	65
2193258-3	91.400-93.268	300.00-306.00	0.35	65
2193258-5	152.400-155.448	500.00-510.00	0.38	65
1-2193258-0	304.800-310.896	1000.00-1020.00	0.45	65
8-2193258-9	15.240-15.850	50.00-52.00	0.31	65
9-2193258-0	45.720-46.634	150.00-153.00	0.32	65
9-2193258-2	228.600-233.172	750.00-765.00	0.41	65

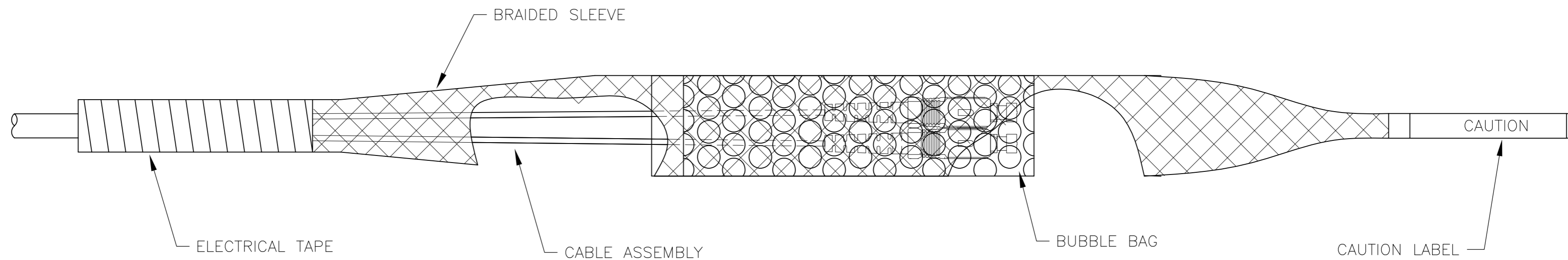


1. INSERTION LOSS TESTED AT 1310nm and 1550nm.
2. SC/APC CONNECTORS WILL BE ON INSIDE OF REEL. PULL ON STUB END OF CABLE
3. TEST DATA IS INCLUDED WITH EACH CABLE ASSEMBLY
4. PRODUCT AND PROCESSING MUST MEET REQUIREMENTS OF TE STANDARD TEC-138-702.

THIS DRAWING IS A CONTROLLED DOCUMENT.		DWN	J. SHIPE	13FEB2014		TE Connectivity																				
DIMENSIONS: INCHES		CHK	J. SHIPE	13FEB2014		NAME																				
TOLERANCES UNLESS OTHERWISE SPECIFIED:		APVD	J. SHIPE	13FEB2014		PIGTAIL, FIBER OPTIC, 12 FIBER SINGLEMODE, ILJA, OFCP CABLE, SC/APC																				
<table border="1"> <tr><td>0 PLC</td><td>±</td><td>-</td></tr> <tr><td>1 PLC</td><td>±</td><td>-</td></tr> <tr><td>2 PLC</td><td>±</td><td>-</td></tr> <tr><td>3 PLC</td><td>±</td><td>-</td></tr> <tr><td>4 PLC</td><td>±</td><td>-</td></tr> <tr><td>ANGLES</td><td>±</td><td>-</td></tr> </table>		0 PLC	±	-		1 PLC	±	-	2 PLC	±	-	3 PLC	±	-	4 PLC	±	-	ANGLES	±	-	PRODUCT SPEC	-		SIZE	CAGE CODE	DRAWING NO
0 PLC	±	-																								
1 PLC	±	-																								
2 PLC	±	-																								
3 PLC	±	-																								
4 PLC	±	-																								
ANGLES	±	-																								
MATERIAL		FINISH	-		A2	00779	C=2193258	-																		
CUSTOMER DRAWING					SCALE	NTS	SHEET	1 OF 2	REV	B																

THIS DRAWING IS UNPUBLISHED. RELEASED FOR PUBLICATION
 © COPYRIGHT - By - ALL RIGHTS RESERVED.

LOC	DIST	REVISIONS			
P	LTR	DESCRIPTION	DATE	DWN	APVD
HP	00	SEE SHEET 1	-	-	-



△ PROTECTIVE COVER
 BOTTOM END

2193258

THIS DRAWING IS A CONTROLLED DOCUMENT.		DWN	J. SHIPE	13FEB2014	
		CHK	J. SHIPE	13FEB2014	
		APVD	J. SHIPE	13FEB2014	
		PRODUCT SPEC			
DIMENSIONS: INCHES 		TOLERANCES UNLESS OTHERWISE SPECIFIED: 0 PLC ± - 1 PLC ± - 2 PLC ± - 3 PLC ± - 4 PLC ± - ANGLES ± -		NAME PIGTAIL, FIBER OPTIC, 12 FIBER SINGLEMODE, ILJA, OFCP CABLE, SC/APC	
MATERIAL		FINISH		SIZE: A2 CAGE CODE: 00779 DRAWING NO: C=2193258 RESTRICTED TO: -	
		WEIGHT		SCALE: NTS SHEET: 2 OF 2 REV: B	
		CUSTOMER DRAWING			