

## DETAILS

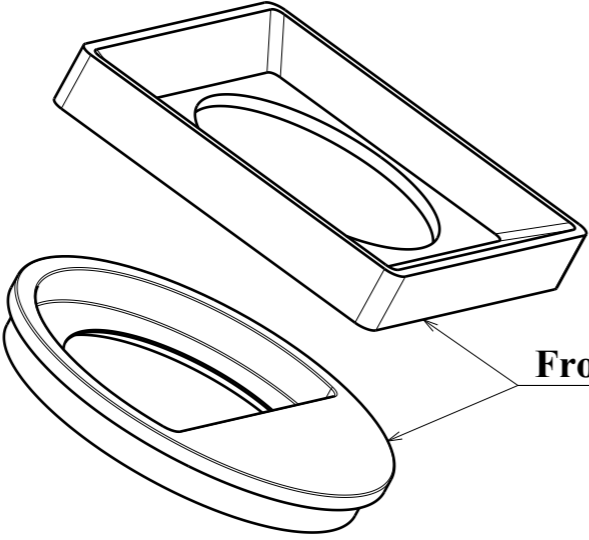
<b>Product Number</b>	FN15388_RONDA-ZT45
<b>Family</b>	Ronda
<b>Type</b>	Assembly
<b>Color</b>	white
<b>Diameter</b>	69,9 mm
<b>Height</b>	15,4 mm
<b>Style</b>	round
<b>Optic Material</b>	PMMA
<b>Holder Material</b>	
<b>Fastening</b>	
<b>Status</b>	production ready
<b>ROHS Compliant</b>	Yes
<b>Date Updated</b>	26/01/2017



## OPTICAL PROPERTIES

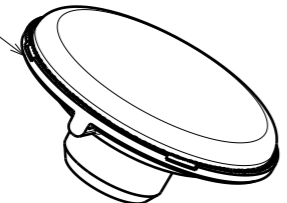
LED	Viewing Angle	Light Beam	Efficiency	cd/lm	Connector
V13 Gen7	Asymmetric deg	Asymmetric	83 %	0.380	TE: 2213254-2 + OPTIC CLIP Z50 TYPE1 2213194-1
V13 Gen7	sim: Asymmetric	Asymmetric	sim: 90 %	sim: 0.000	IDEAL: 50-2103CT + 50-2100AN
CXA/B 1816 & CXA/B 1820 & CXA 1850	sim: Asymmetric	Asymmetric	-	-	TE: 2213401-2 + OPTIC CLIP Z50 TYPE1 2213194-1
LUXEON CoB 1202/1203	sim: Asymmetric	Asymmetric	sim: 86 %	-	TE: 2213382-2 + OPTIC CLIP Z50 TYPE1 2213194-1
COB L-Type (LES 9)	sim: Asymmetric	Asymmetric	sim: 85 %	-	TE: 2213382-2 + OPTIC CLIP Z50 TYPE1 2213194-1
NSCxL036A	sim: Asymmetric	Asymmetric	sim: 87 %	-	TE: 2213382-2 + OPTIC CLIP Z50 TYPE1 2213194-1
COB J-Type	Asymmetric deg	Asymmetric	83 %	0.830	IDEAL: 50-2103NC + 50-2100AN
Fortimo SLM G5 LES 15 Standard	Asymmetric deg	Asymmetric	82 %	0.350	TE: OPTIC CLIP Z50 TYPE1 2213194-1
LC040C	Asymmetric deg	Asymmetric	88 %	0.460	TE: 2213382-2 + OPTIC CLIP Z50 TYPE1 2213194-1
AC Zhaga COB	Asymmetric deg	Asymmetric	86 %	0.370	Optosource: SEHSMJD-A
MJT COB LES 14.5	asym deg	Asymmetric	81 %	0.300	TE: 2213254-2 + OPTIC CLIP Z50 TYPE1 2213194-1
SLE G6 LES15	sim: Asymmetric	Asymmetric	sim: 80 %	sim: 0.360	TE: 2213254-2 + OPTIC CLIP Z50 TYPE1 2213194-1

H G F E D C B A



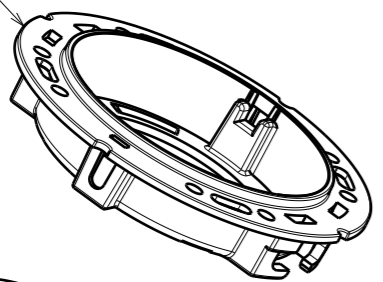
**Front plate examples**

D=49.9

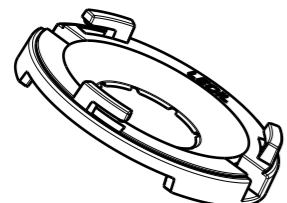


**Optic**

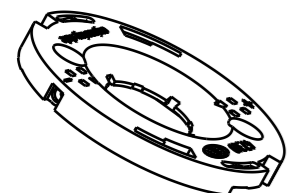
D=69.9mm



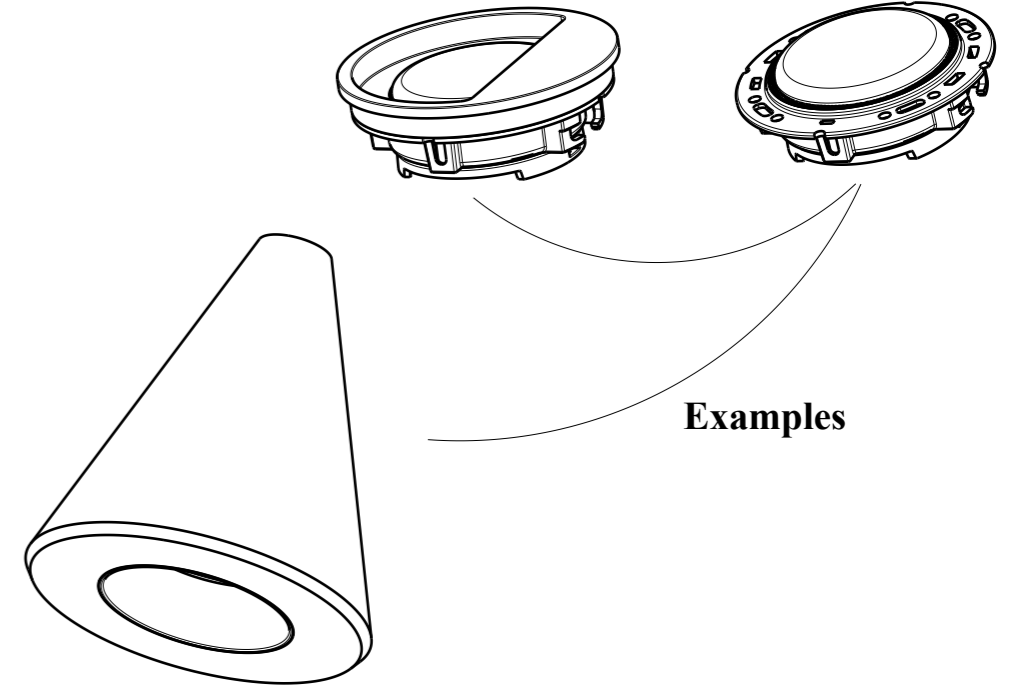
**Ledil-clamp / TE / Bender-wirth / other twist and lock socket types (holder A)**



**BJB and Stucchi 50mm (holder B)**

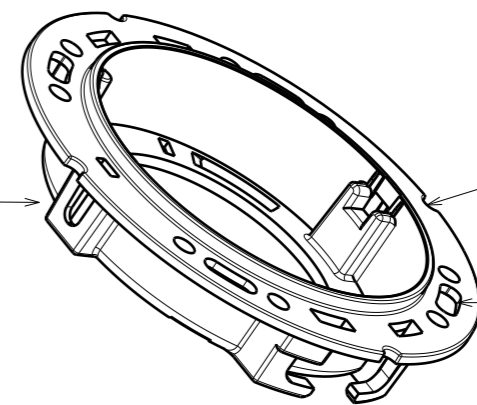


**LES size up to ~14mm, see compatibility [www.ledil.com](http://www.ledil.com)**



**Examples**

**Horizontal fix: M3 Nut + bolt**



**Rotation fix**

**Vertical fix: M3 Screw / Twist and lock / Snap**

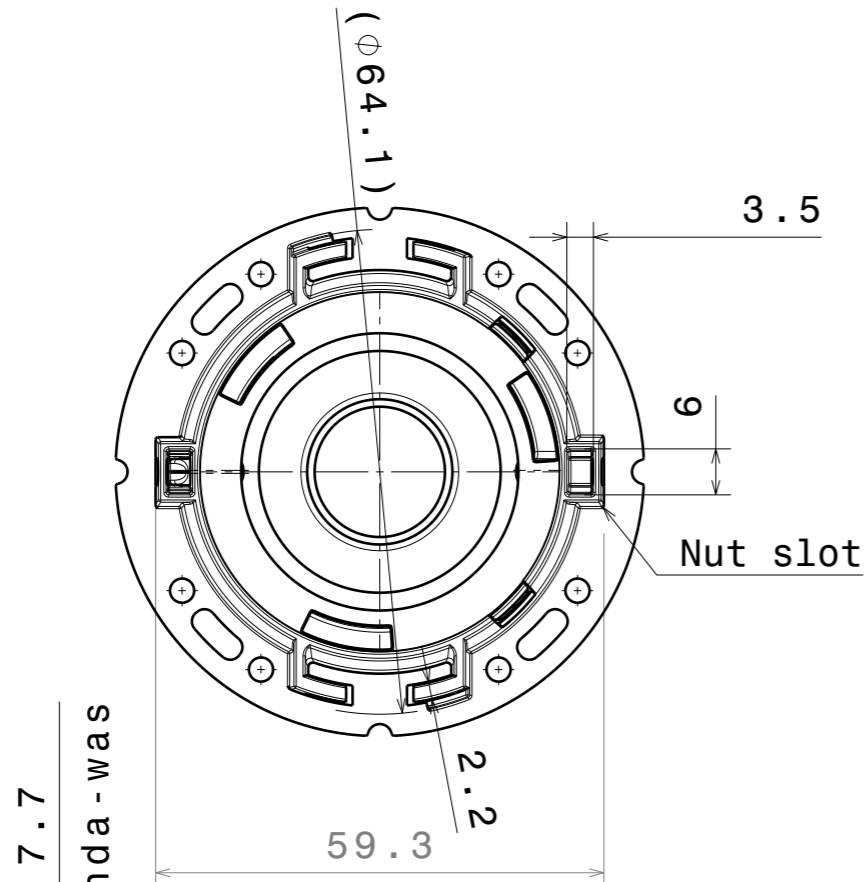


See more details on page 2 and 3

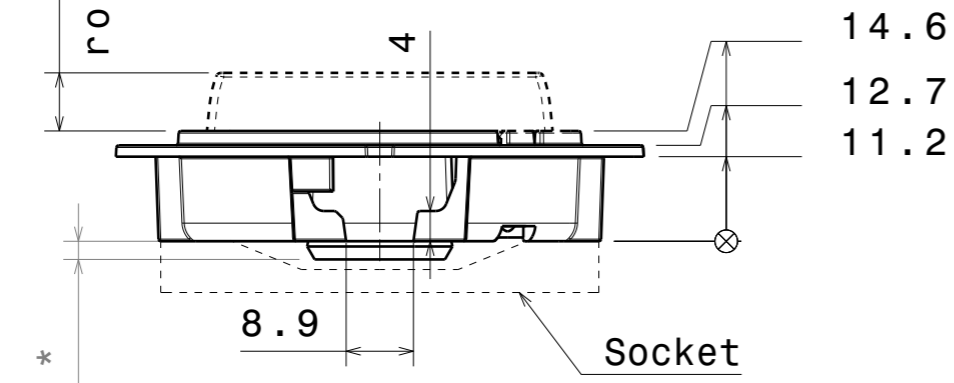
Tolerances if not otherwise shown According to DIN ISO 2768-1 Linear measures: up to 30mm class M, otherwise class C According to DIN ISO 2768-2 Form and position: class L		<b>LEDiL</b> Ledil Oy Salorankatu 10 FIN 24240 SALO Finland	
THIRD ANGLE PROJECTION:		DRAWING TITLE <p style="text-align: center;"><b>RONDA-family</b></p>	
This drawing is the property of LEDiL Oy. It may not be reproduced, copied or communicated without a written agreement with LEDiL Oy.		SIZE <p style="text-align: center;"><b>A3</b></p>	PART NUMBER <p style="text-align: center;">-</p>
		SCALE 1:1	WEIGHT -
		SHEET 1/3	

H G B A

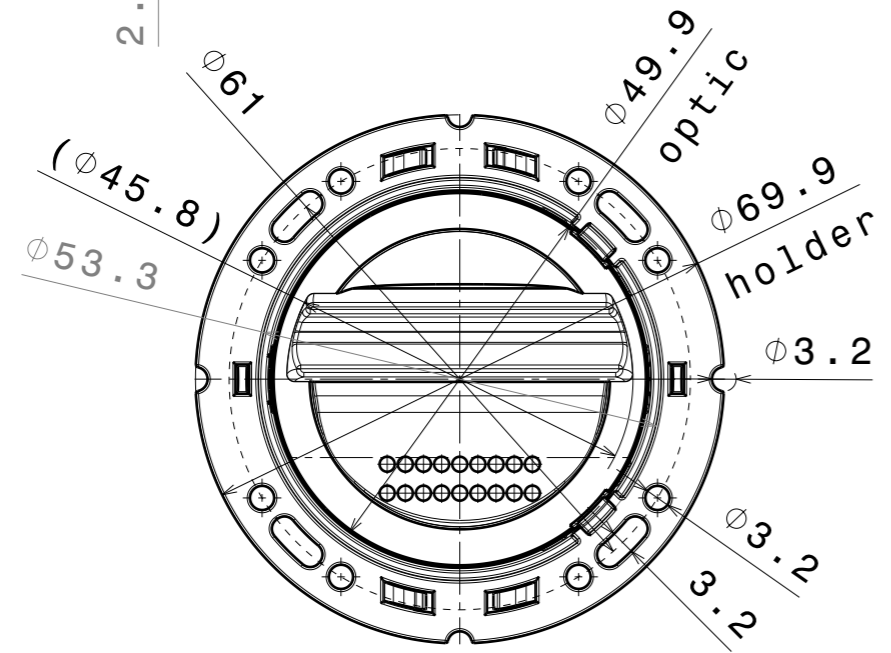
Bottom view



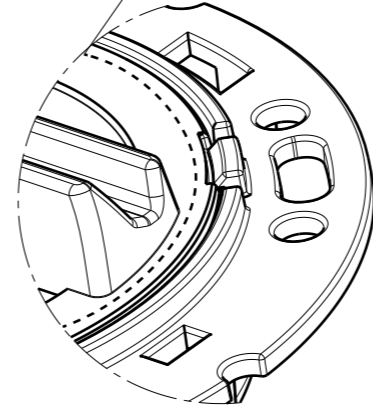
Front view



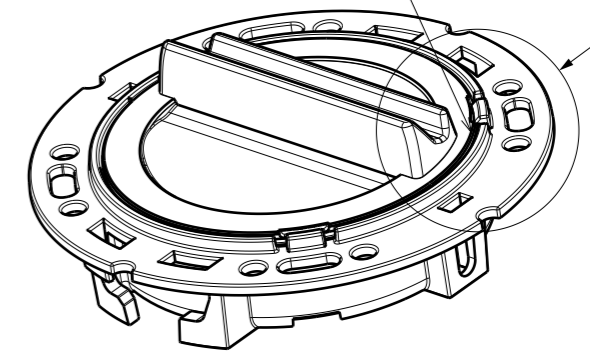
Top view



Front panel location suggestion when seamless look needed



Detail A



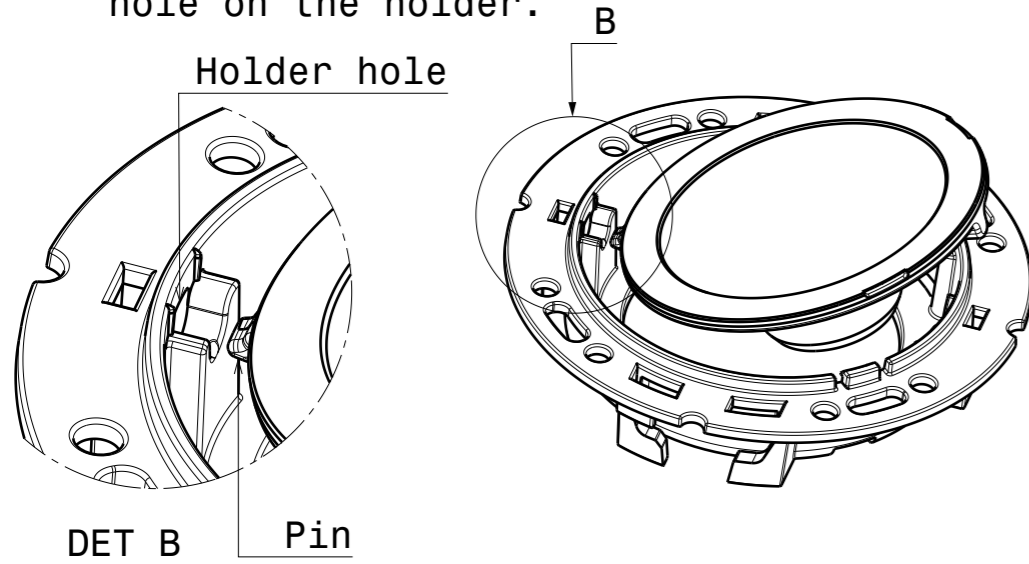
Isometric view

\* Ensure from 3d according specific optic version

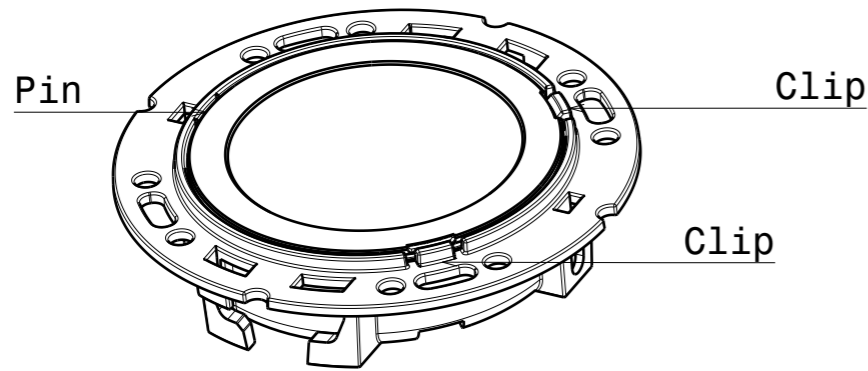
Tolerances if not otherwise shown According to DIN ISO 2768-1 Linear measures: up to 30mm class M, otherwise class C According to DIN ISO 2768-2 Form and position: class L		<b>LEDiL</b> Ledil Oy Salorankatu 10 FIN 24240 SALO Finland	
THIRD ANGLE PROJECTION:		DRAWING TITLE <h3 style="text-align: center;">RONDA-family</h3>	
This drawing is the property of LEDiL Oy. It may not be reproduced, copied or communicated without a written agreement with LEDiL Oy.		SIZE <b>A3</b>	PART NUMBER -
		SCALE 1:1	WEIGHT - SHEET 2/3

**OPTIC/HOLDER ASSEMBLY**

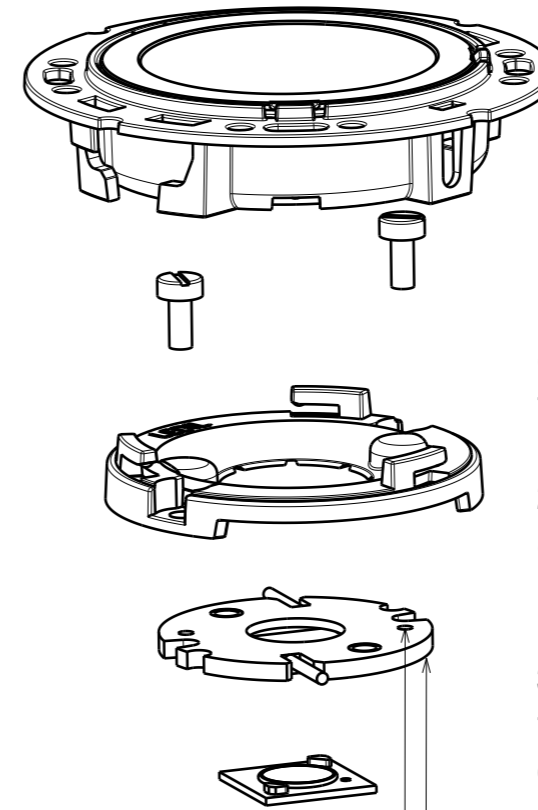
1. Place pin on the side of the lens into relative hole on the holder.



2. Press the lens under clips on the holder, ensuring both clips are fixed.



**TYPICAL CONNECTOR ASSEMBLY (including solderless BENDER WIRTH as example)**



1. Ensure correct relation of clamp and connector before screwing. Recommended torque 0.6Nm.

2. Assemble LED, BENDER&WIRTH connector and C13658\_CLAMP-VER013-18 clamp on heatsink with M3 screw.

3. Attach optic by aligning the holes in the holder with hooks and turning the optic holder clockwise until it locks.

Bender&Wirth model 4xx Typ L1

Align clamp positioning pin with holes in the connector.

Tolerances if not otherwise shown  
According to DIN ISO 2768-1  
Linear measures:  
up to 30mm class M, otherwise class C  
According to DIN ISO 2768-2  
Form and position: class L

**LEDiL** LediL Oy  
Salorankatu 10  
FIN 24240 SALO  
Finland

THIRD ANGLE PROJECTION:

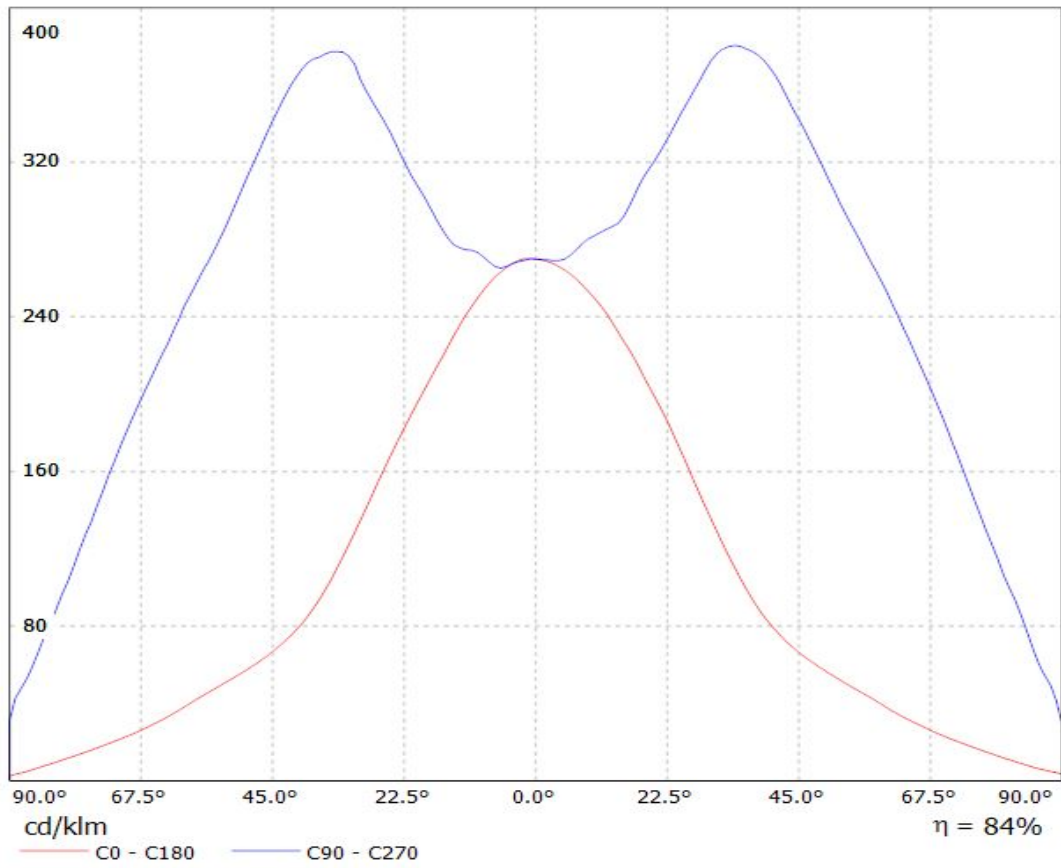
DRAWING TITLE  
**RONDA-family**

This drawing is the property of LEDiL Oy. It may not be reproduced, copied or communicated without a written agreement with LEDiL Oy.

SIZE	PART NUMBER		
A3	-		
SCALE	1:1	WEIGHT	-
SHEET		3/3	

Luminaire: LEDiL Oy FN15388\_RONDA-ZT45\_(V13\_Gen7)+TE

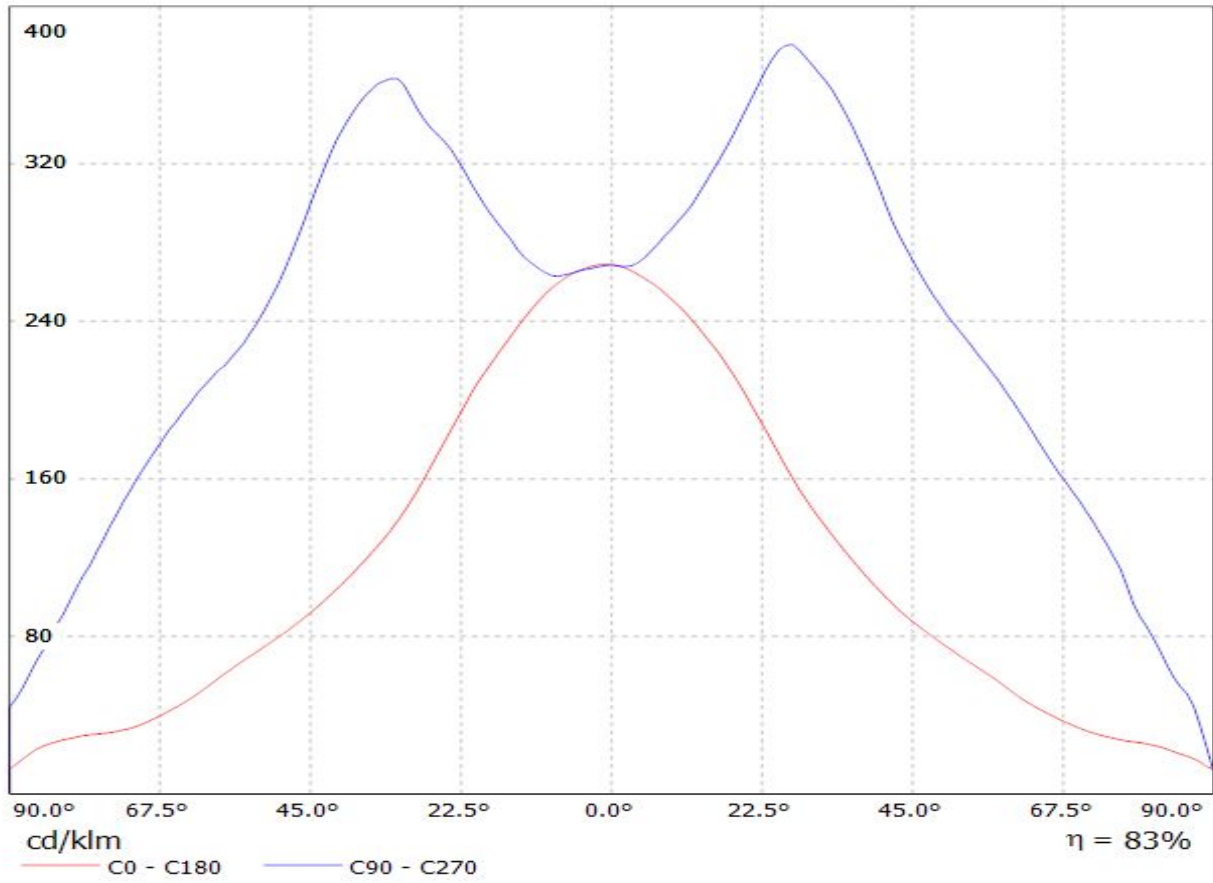
Lamps: 1 x Bridgelux\_V13\_Gen7\_(BXRE-30E2000-B\_+TE\_2213254-2+TE\_2213194-1)\_1295.55lm@250mA\_P=8.30985W\_I=0.25A





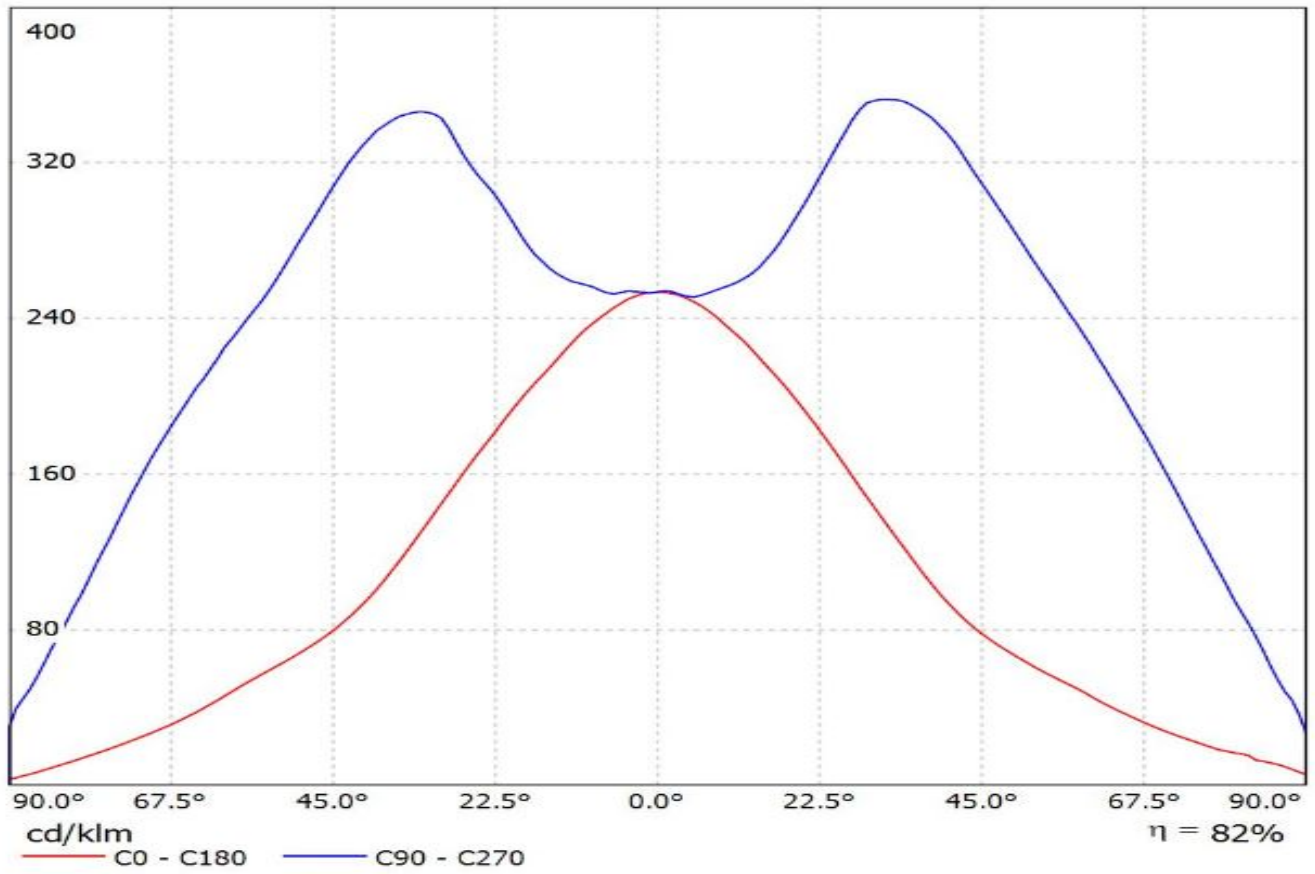
Luminaire: LEDiL Oy FN15388\_RONDA-ZT45\_(NFDLJ130B+IDEAL)

Lamps: 1 x Nichia\_NFDLJ130B\_+50-2103NC\_+50-2100AN\_1422.52lm@250mA\_CCT=4000K\_P=8.91686W\_I=0.25A



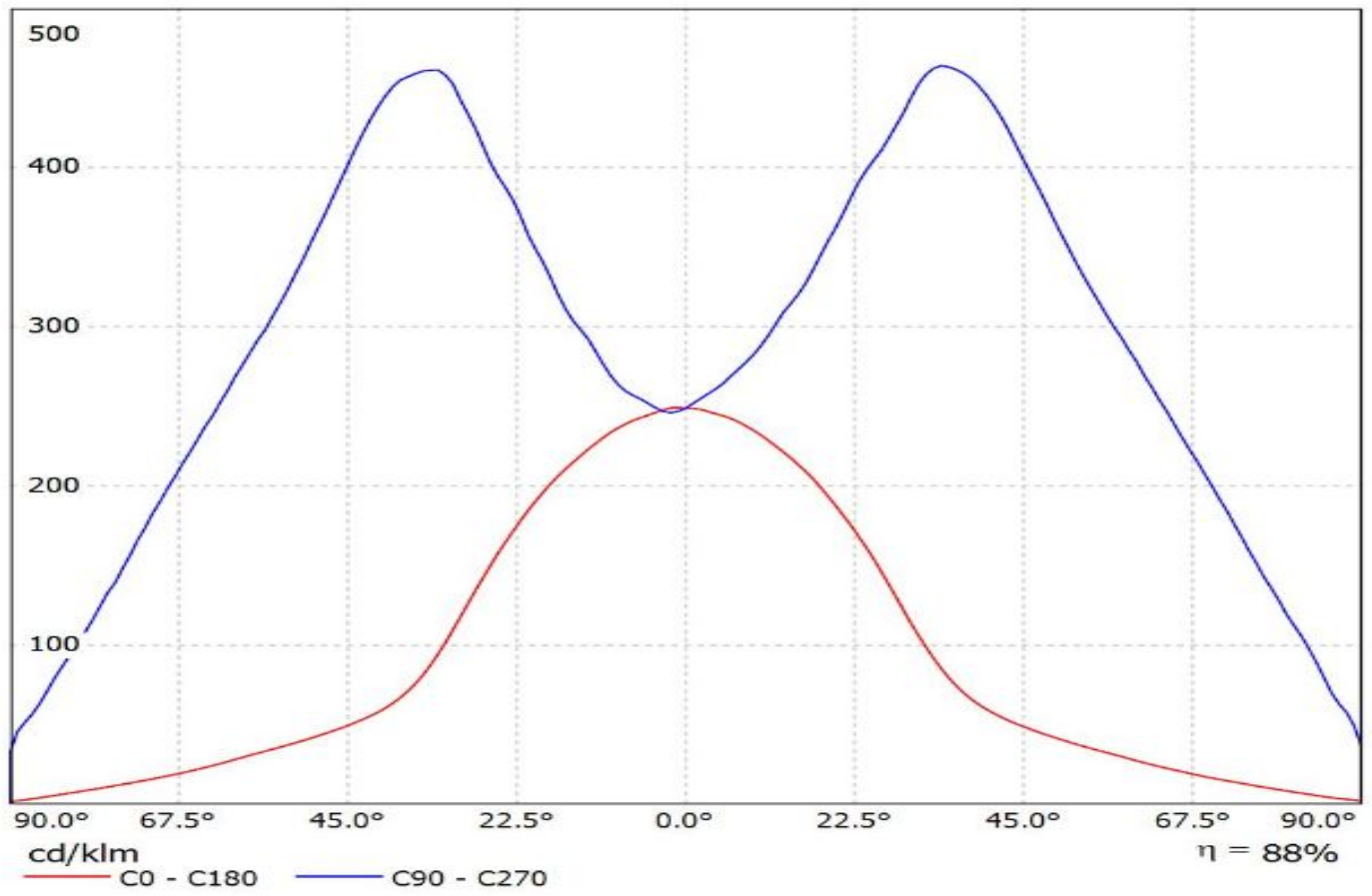
Luminaire: Ledil FN15388\_RONDA-ZT45\_(SLM\_G5\_LES\_15\_+TE)

Lamps: 1 x Philips\_SLM\_G5\_LES\_15\_+TE\_2213194-1\_1277.72lm@250mA\_P=8.208W\_I=0.25A



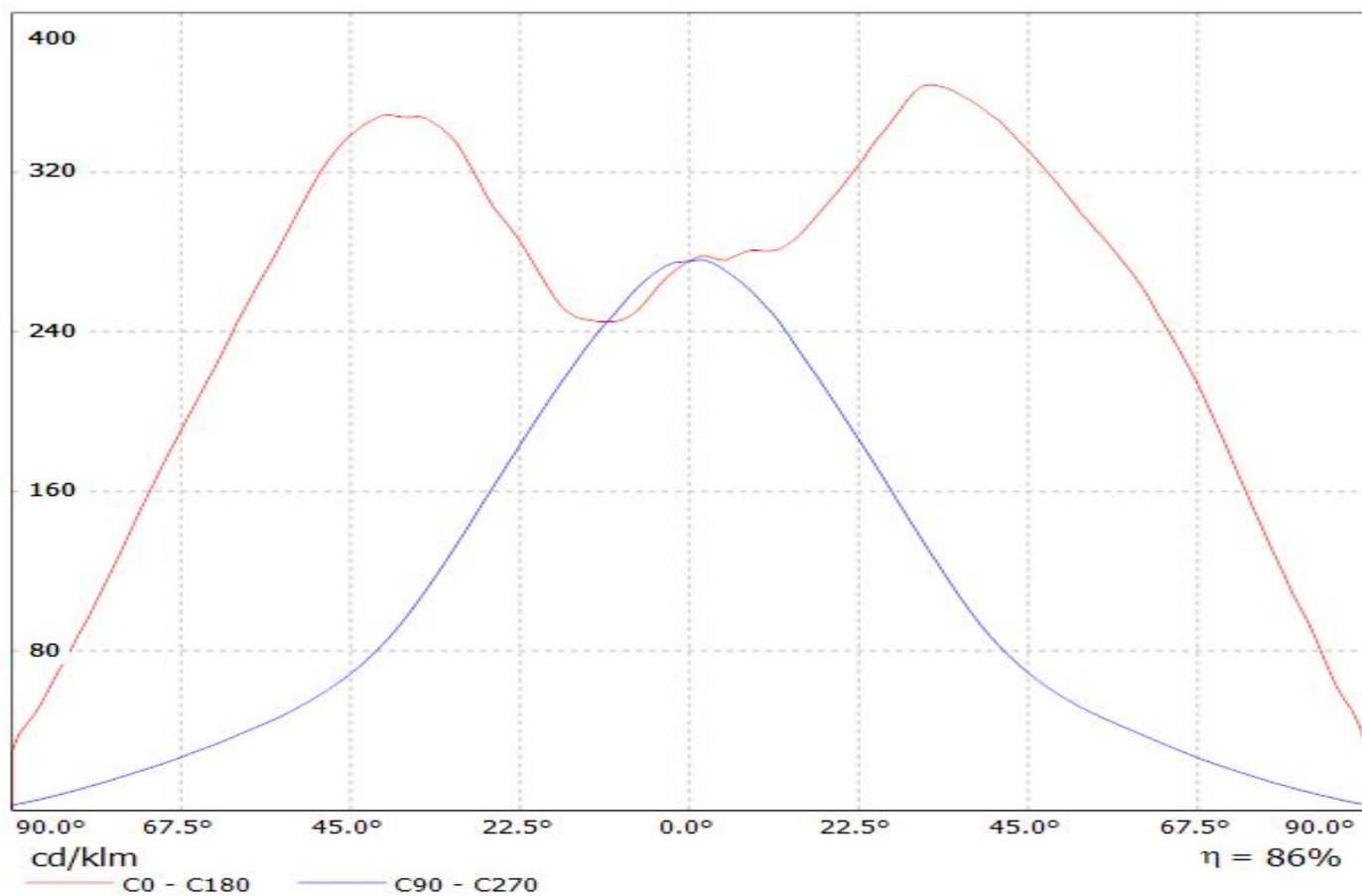
Luminaire: Ledil FN15388\_RONDA-ZT45\_(LC040C+TE)

Lamps: 1 x Samsung\_LC040C+\_2213382-2+\_2213194-1\_1194.16lm@250mA\_CCT=4000K\_P=8.137W



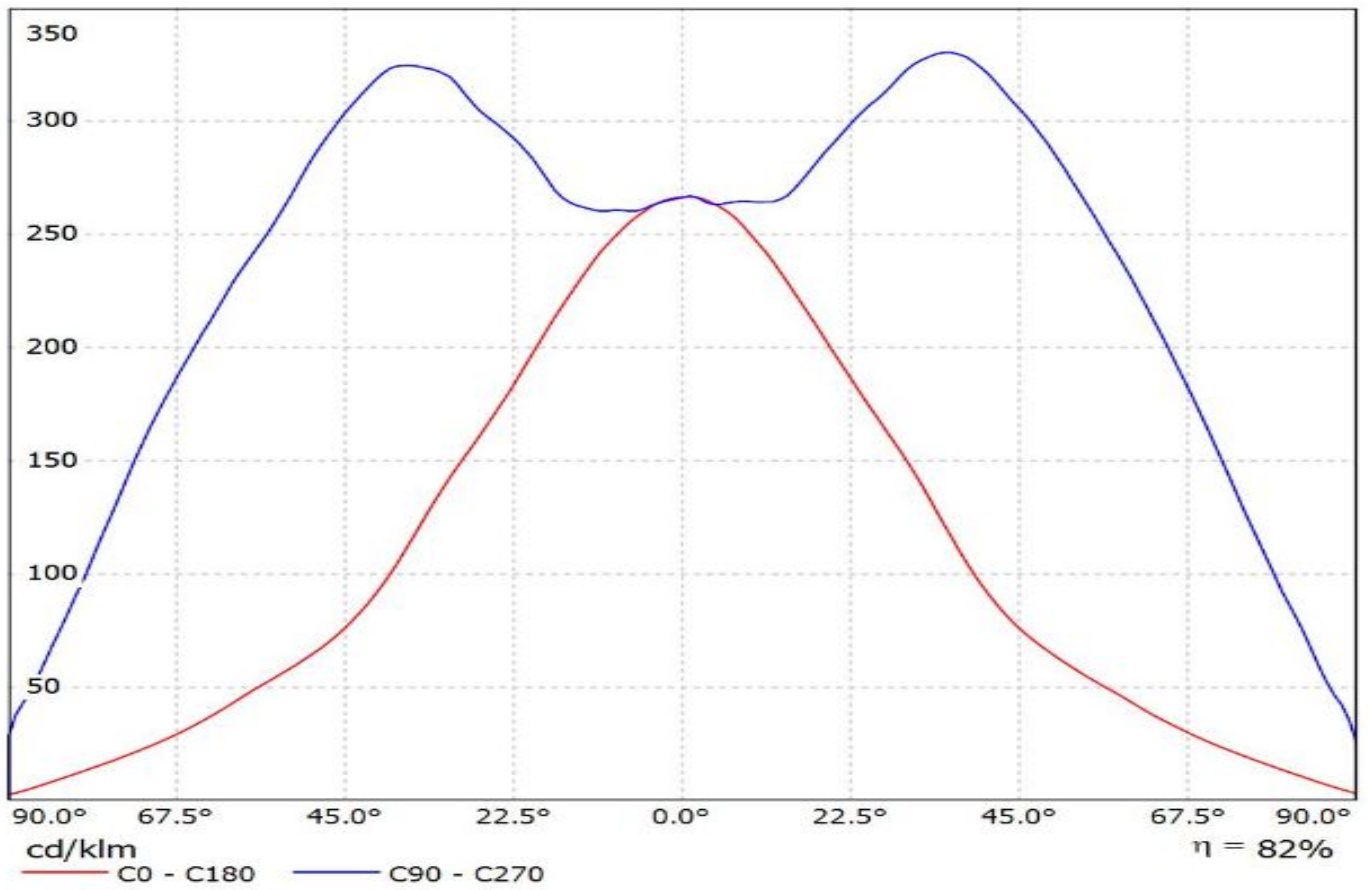


Luminaire: Ledil FN15388\_RONDA-ZT45\_(SEOUL\_AC\_Zhaga\_COB)  
Lamps: 1 x SEOUL\_AC\_Zhaga\_COB

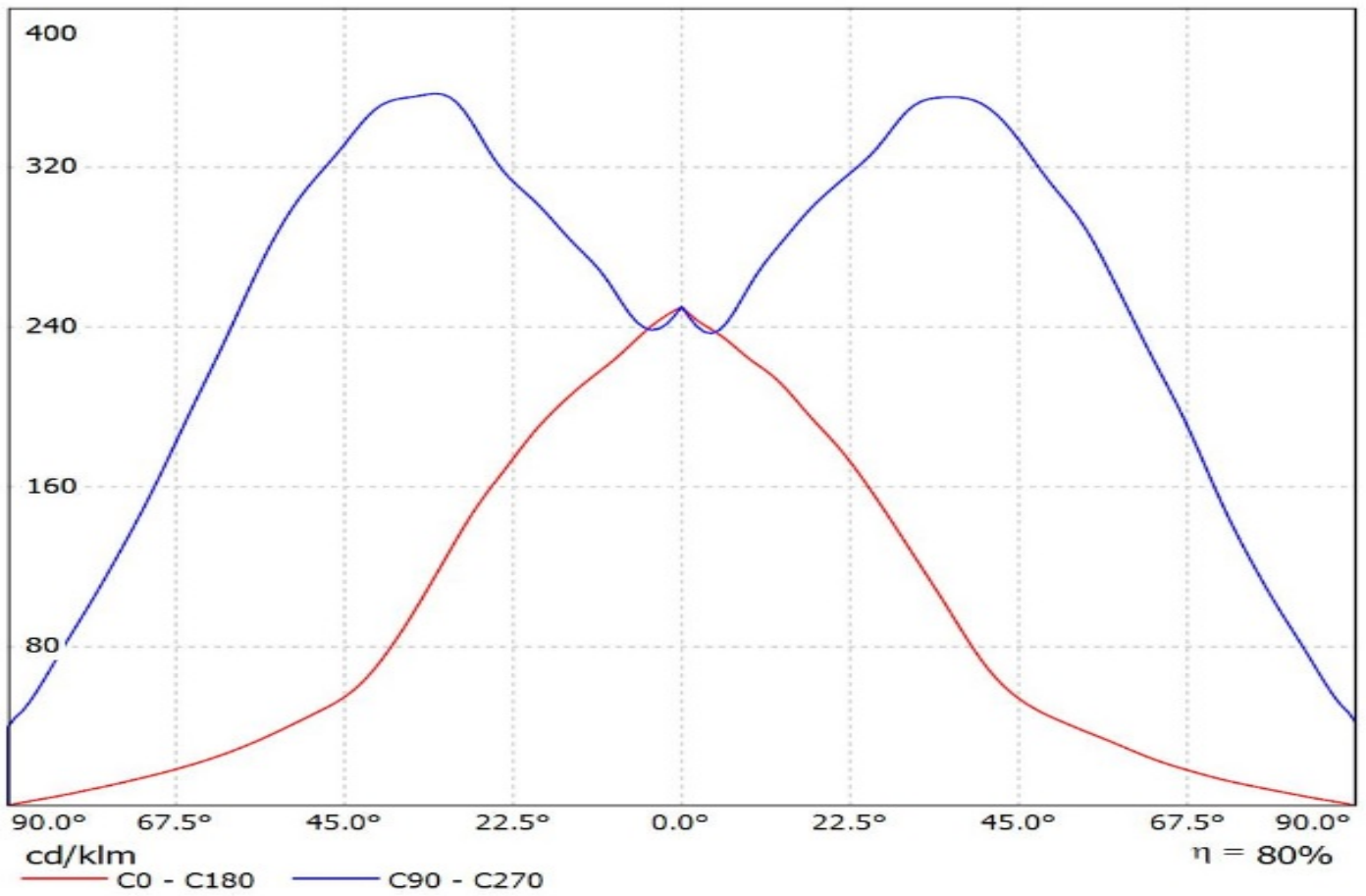


Luminaire: Ledil FN15388\_RONDA-ZT45\_(MJT\_30W\_Les14,5)

Lamps: 1 x Seoul\_MJT\_30W\_Les14,5mm\_(SAWx1566A)\_1328.6lm@250mA\_P=8.24025W\_I=0.25A

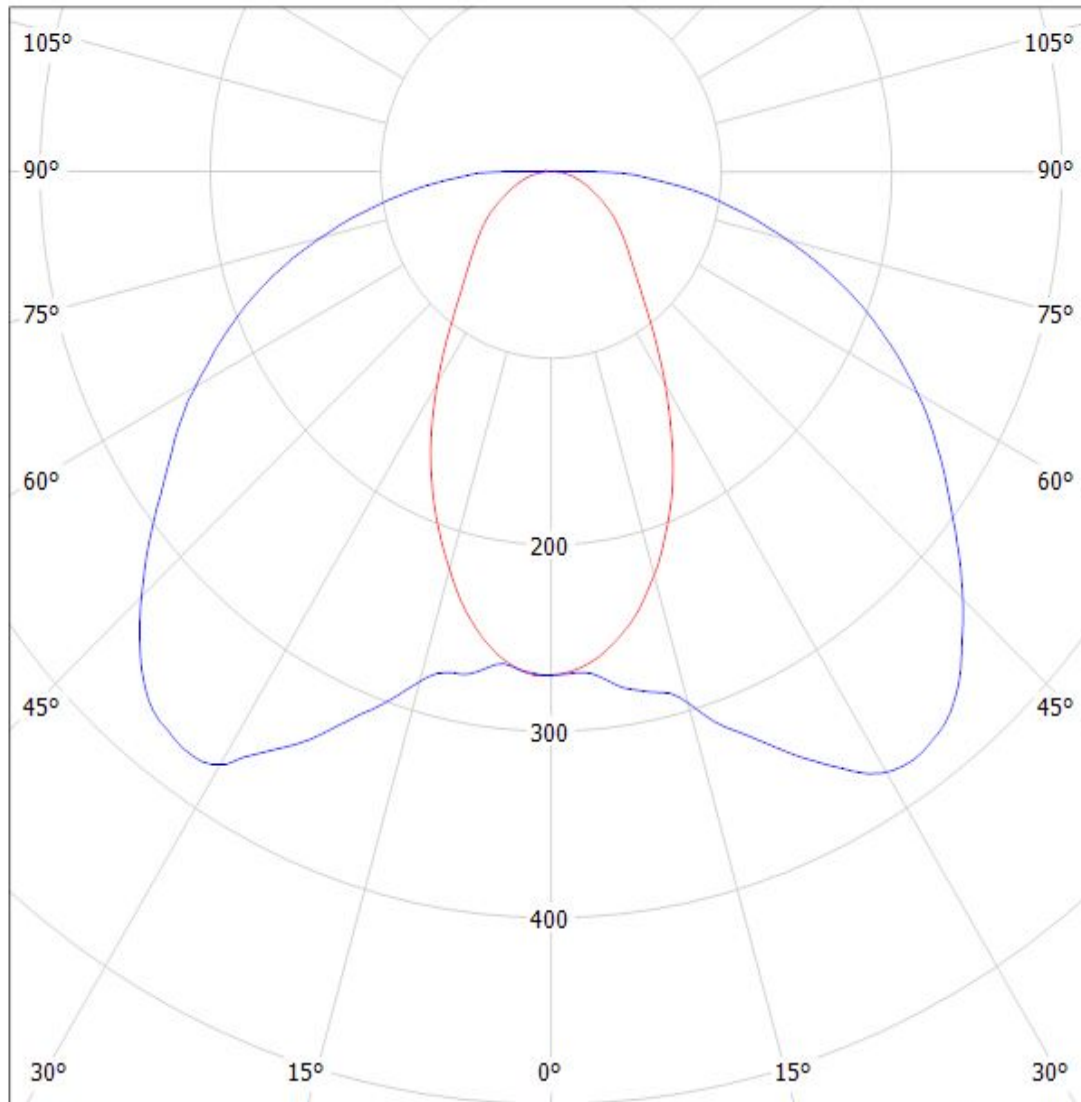


Luminaire: Ledil Oy FN15388\_RONDA-ZT45\_(SLE\_G6\_LES15)\_(2213254-2\_+ 2213194-1)\_SIMULATED  
Lamps: 1 x Tridonic SLE G6 LES15 + Tyco Electronics 2213254-2 + TE 2213194-1 Optic clip



Luminaire: LEDiL Oy FN15388\_RONDA-ZT45\_(V13\_Gen7)+TE

Lamps: 1 x Bridgelux\_V13\_Gen7\_(BXRE-30E2000-B\_+TE\_2213254-2+TE\_2213194-1)\_1295.55lm@250mA\_P=8.30985W\_l=0.25A



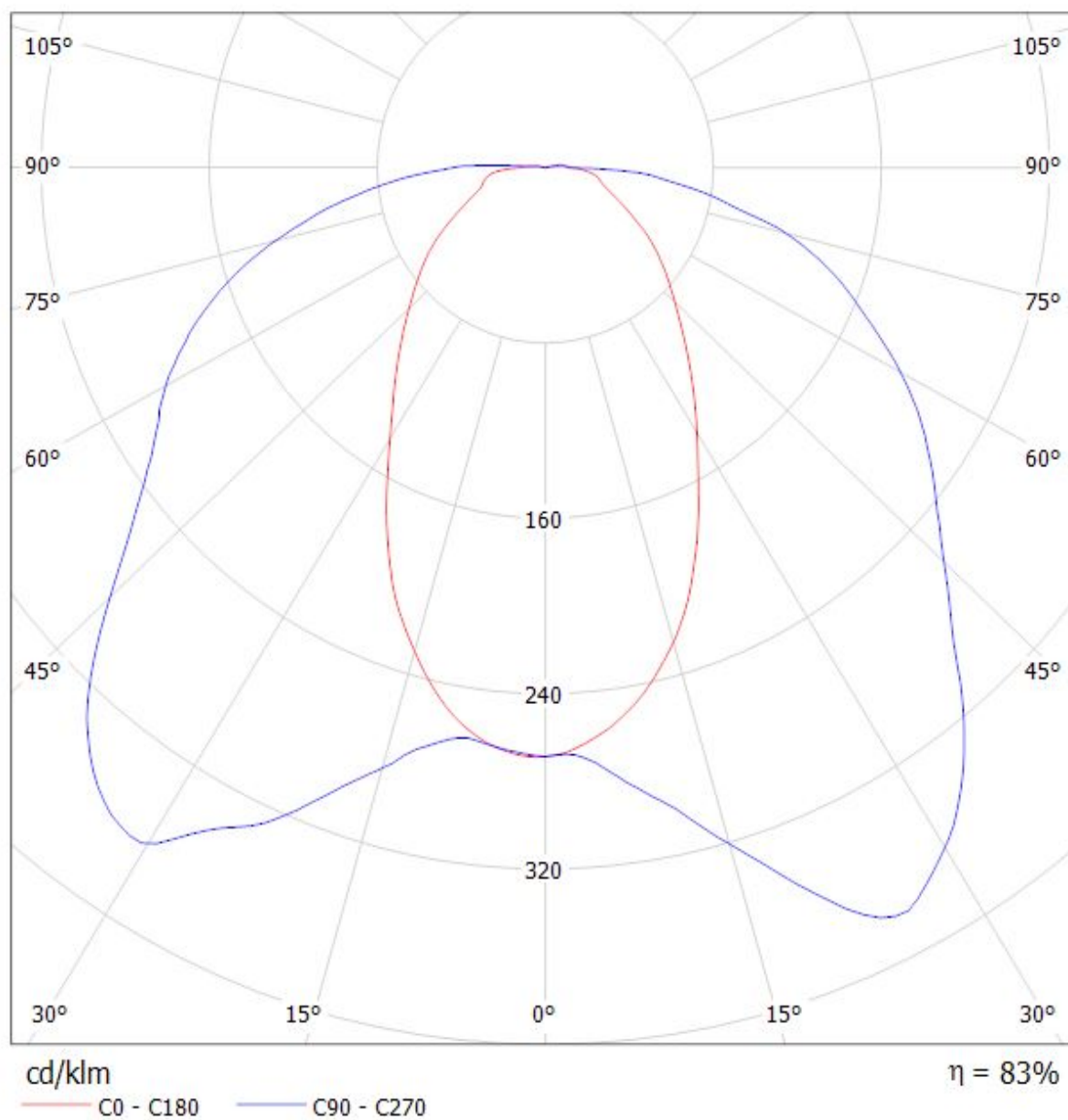
cd/klm

$\eta = 84\%$

— C0 - C180    — C90 - C270

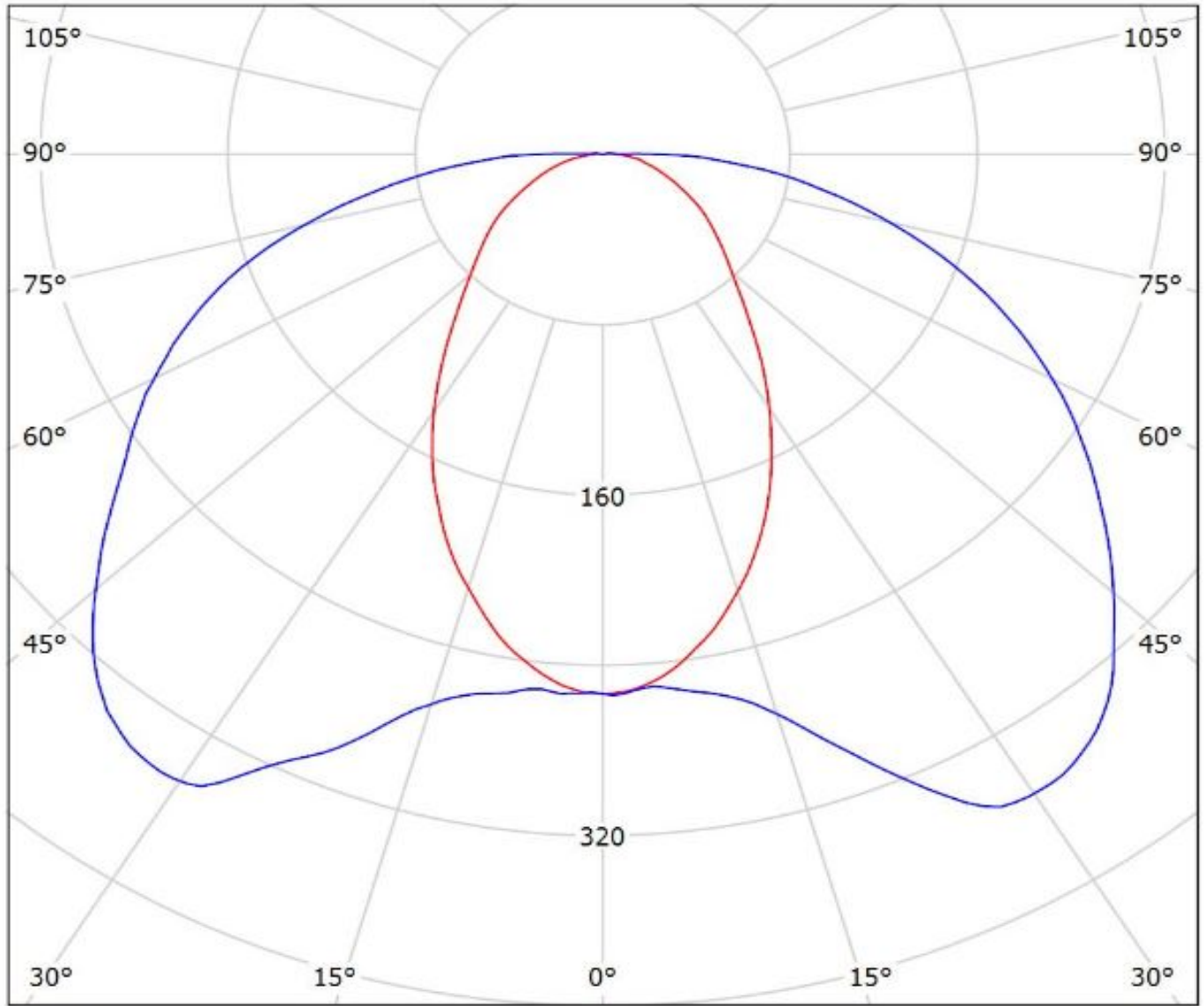
Luminaire: LEDiL Oy FN15388\_RONDA-ZT45\_(NFDLJ130B+IDEAL)

Lamps: 1 x Nichia\_NFDLJ130B\_+50-2103NC\_+50-2100AN\_1422.52lm@250mA\_CCT=4000K\_P=8.91686W\_I=0.25A



Luminaire: Ledil FN15388\_RONDA-ZT45\_(SLM\_G5\_LES\_15\_+TE)

Lamps: 1 x Philips\_SLM\_G5\_LES\_15\_+TE\_2213194-1\_1277.72lm@250mA\_P=8.208W\_I=0.25A



cd/klm

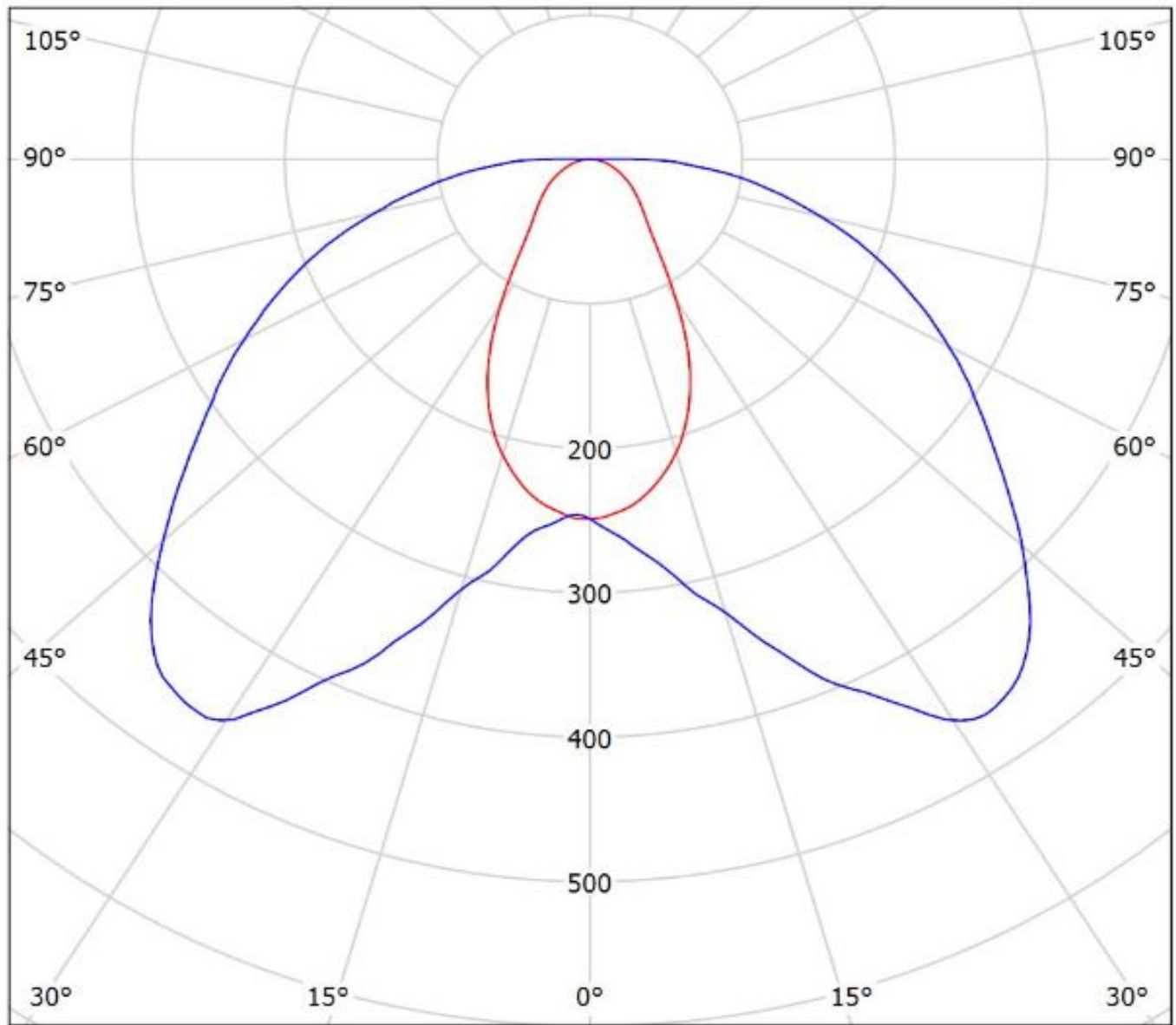
— C0 - C180 — C90 - C270

$\eta = 82\%$



Luminaire: Ledil FN15388\_RONDA-ZT45\_(LC040C+TE)

Lamps: 1 x Samsung\_LC040C+\_2213382-2+\_2213194-1\_1194.16lm@250mA\_CCT=4000K\_P=8.137W



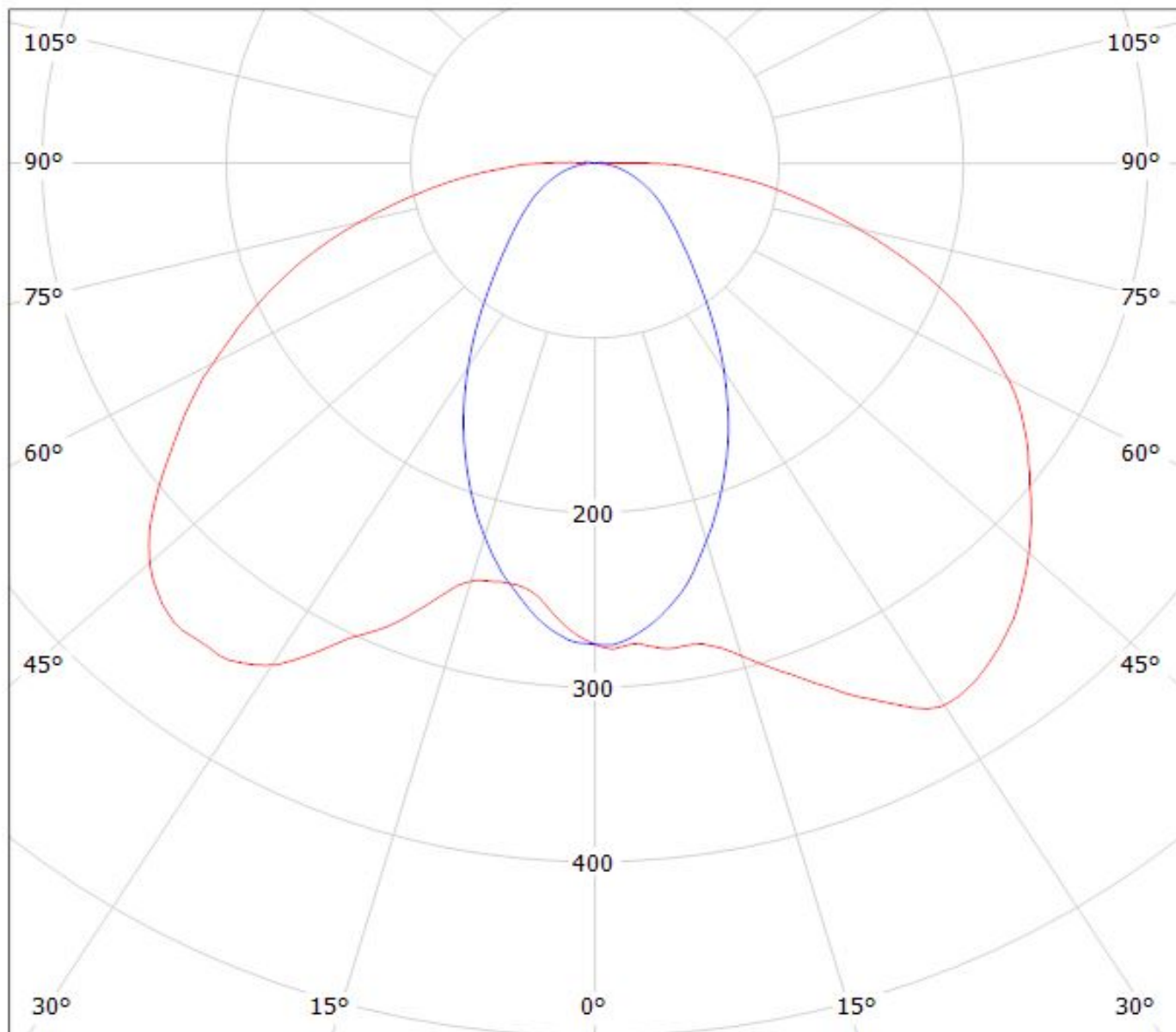
cd/klm

— C0 - C180    — C90 - C270

$\eta = 88\%$

Luminaire: Ledil FN15388\_RONDA-ZT45\_(SEOUL\_AC\_Zhaga\_COB)

Lamps: 1 x SEOUL\_AC\_Zhaga\_COB



cd/klm

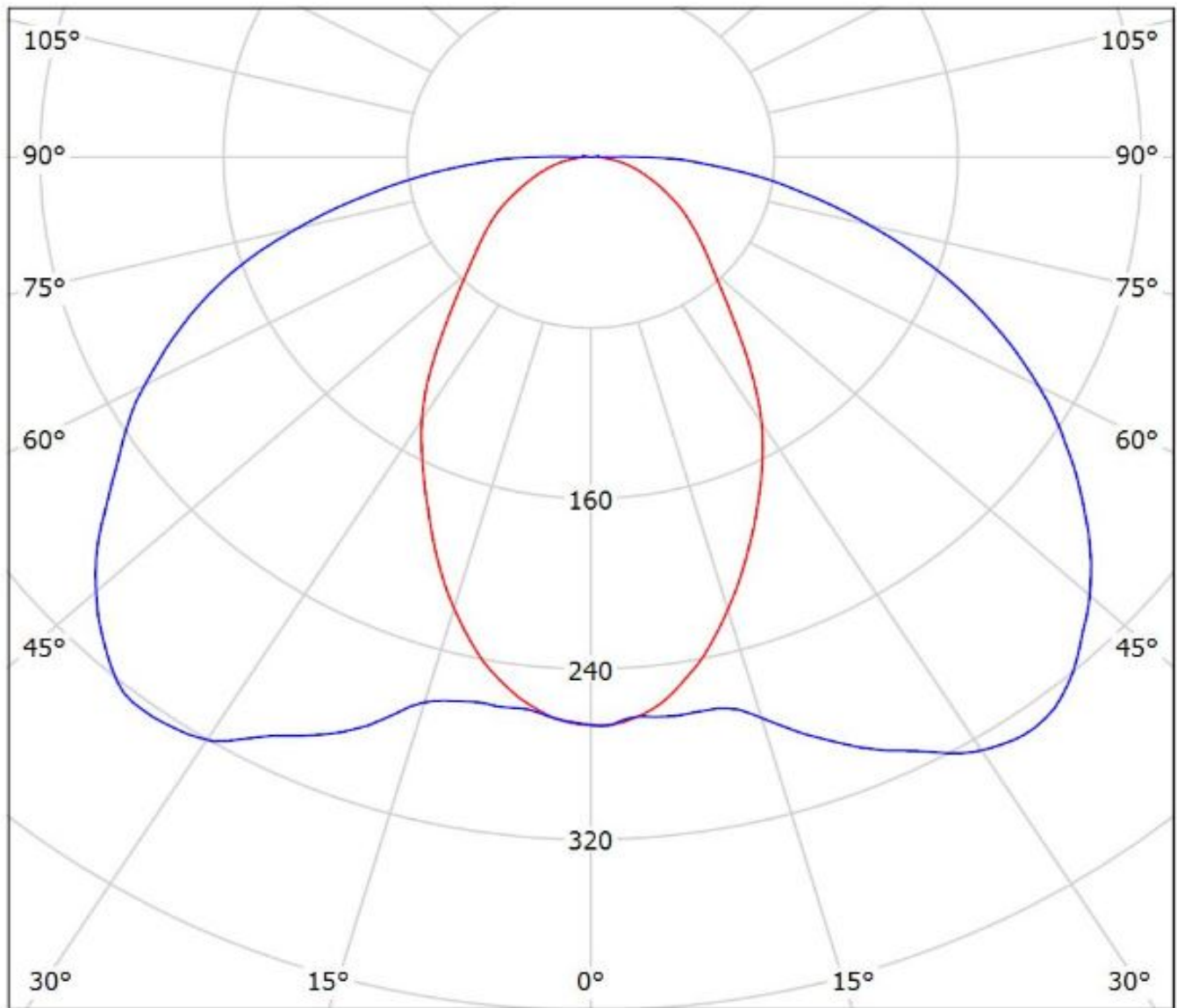
— C0 - C180

— C90 - C270

$\eta = 86\%$

Luminaire: Ledil FN15388\_RONDA-ZT45\_(MJT\_30W\_Les14,5)

Lamps: 1 x Seoul\_MJT\_30W\_Les14,5mm\_(SAWx1566A)\_1328.6lm@250mA\_P=8.24025W\_I=0.25A

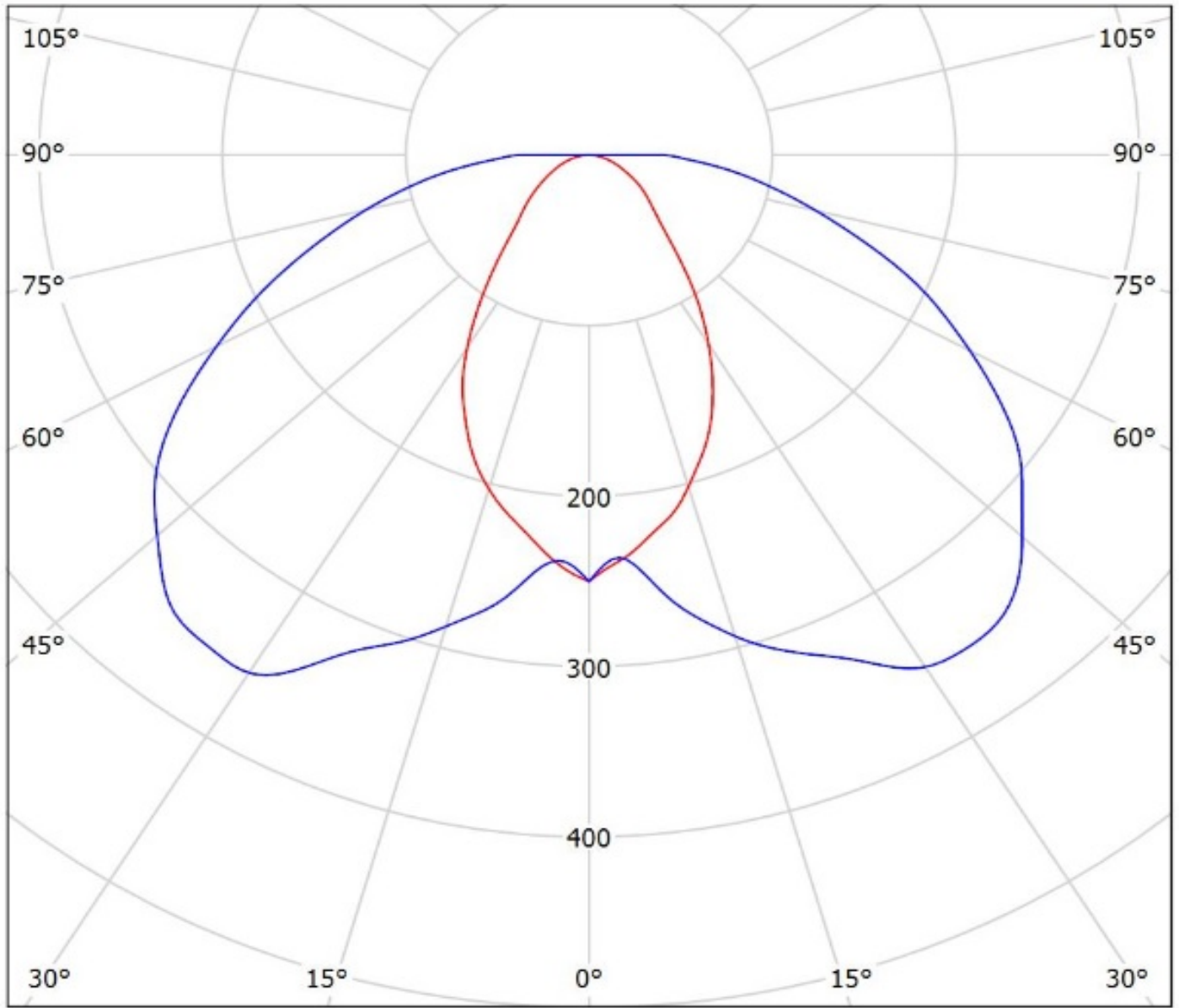


cd/klm

— C0 - C180 — C90 - C270

$\eta = 82\%$

Luminaire: Ledil Oy FN15388\_RONDA-ZT45\_(SLE\_G6\_LES15)\_(2213254-2+\_2213194-1)\_SIMULATED  
Lamps: 1 x Tridonic SLE G6 LES15 + Tyco Electronics 2213254-2 + TE 2213194-1 Optic clip



cd/klm  
— C0 - C180 — C90 - C270

$\eta = 80\%$

**NOTE: The typical divergence will be changed by different color, chip size and chip position tolerance. The typical total divergence is the full angle measured where the luminous intensity is half of the peak value.**

### **GENERAL INFORMATION**

- Product series especially designed & optimized for series of LEDs.
- Special care taken to make light distribution as uniform as possible.

Note! Due to use of high power COB's with this product, special attention to proper thermal design is highly recommended. LEDiL has no liability for direct, indirect or consecutive damages arising from the LEDiL products being used outside of the recommended temperature range.