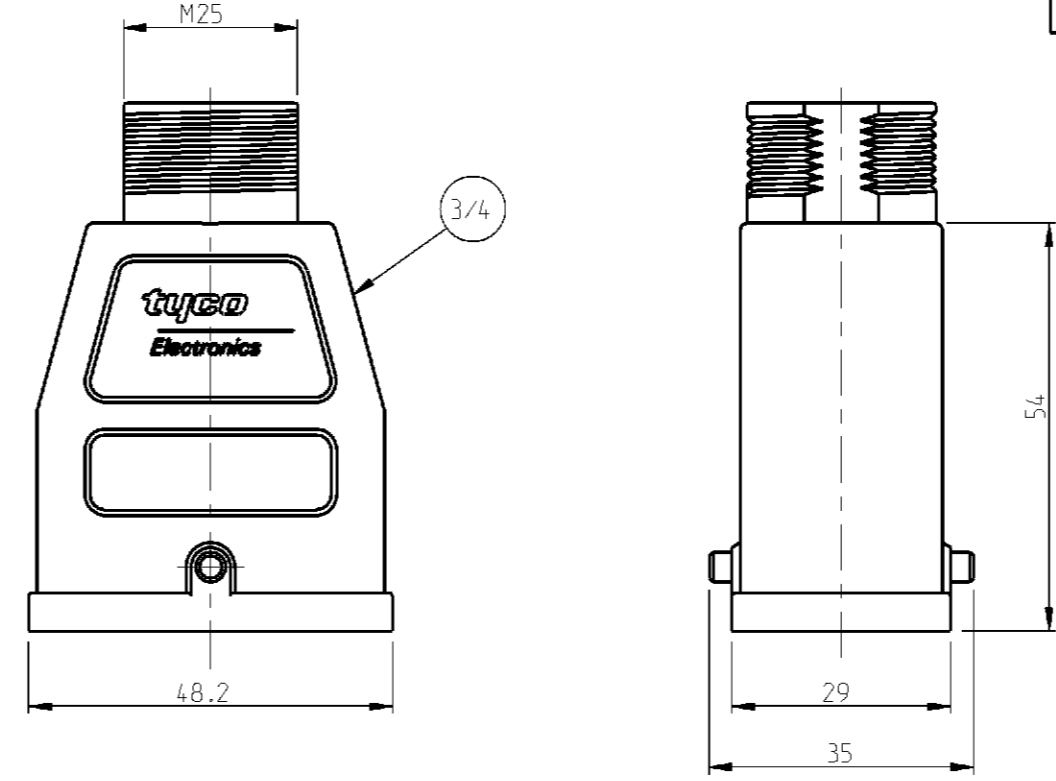
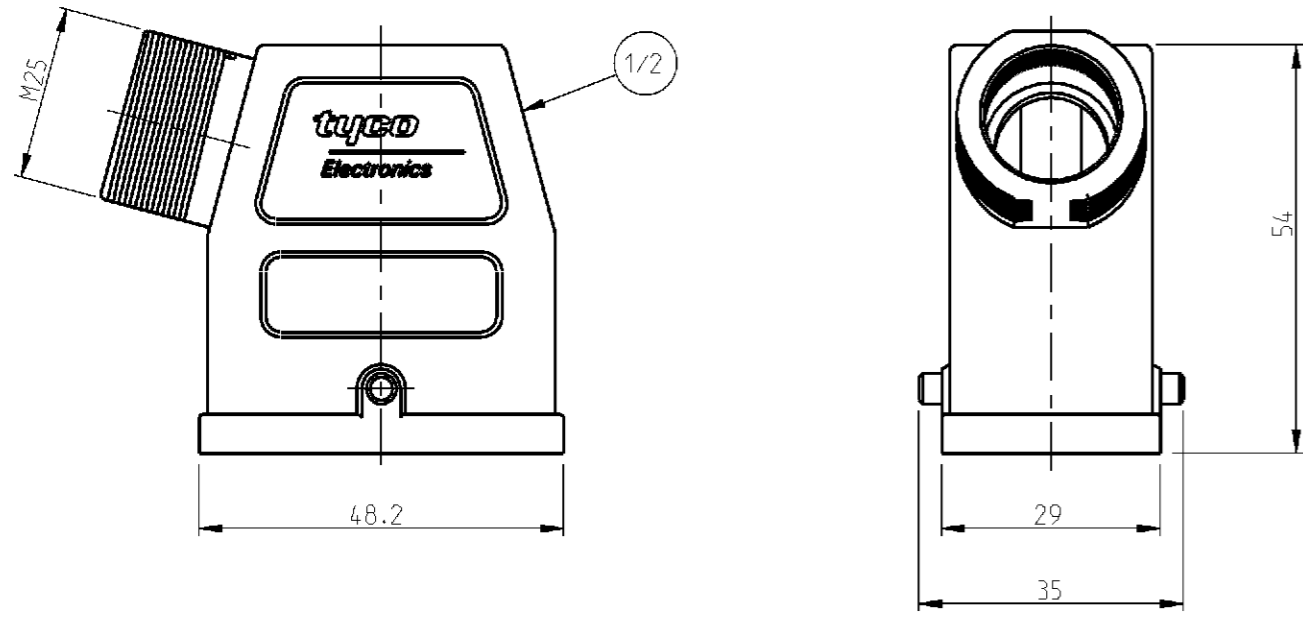
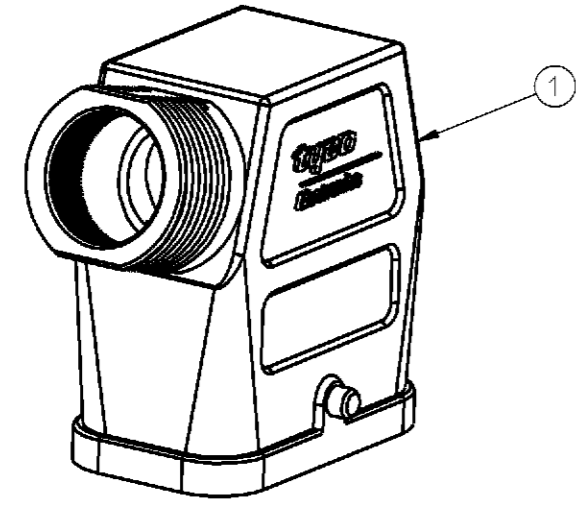


THIS DRAWING IS UNPUBLISHED. RELEASED FOR PUBLICATION
 © COPYRIGHT 2000 BY TYCO ELECTRONICS CORPORATION. ALL RIGHTS RESERVED.

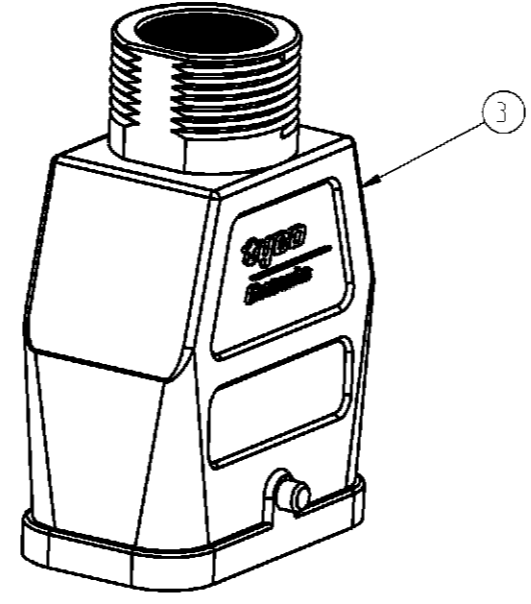
LOC	DIST	REVISIONS			
P	LTR	DESCRIPTION	DATE	DWN	APVD
A1					
	B2	RELEASED AS PER ECR-07-013664	08.Jun.07	NSJ	ST



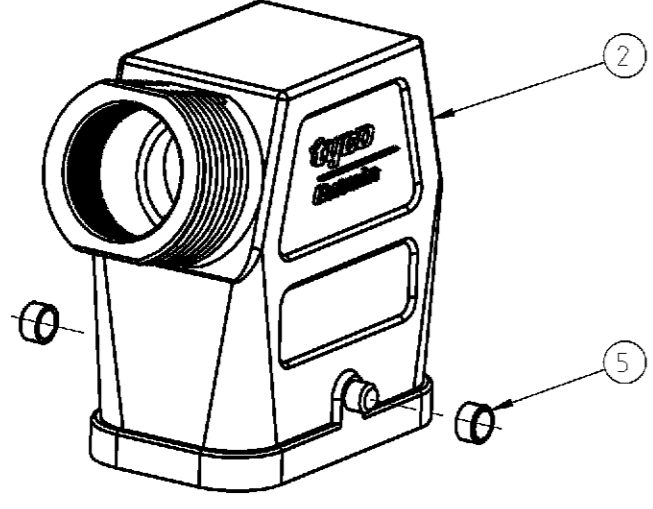
NOTES
 1 PACKAGING QUANTITY: 5 PIECES



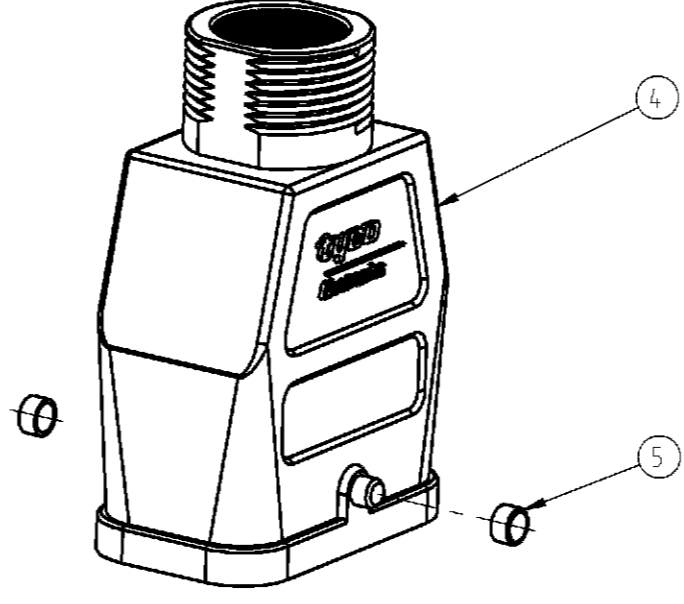
QTY	DESCRIPTION	MATERIAL	COLOR	NOTE	ITEM NO.
1	HOOD	PA. 6.6-GF25	BLACK	-	1
PN 0-1	HG-Q.STS.1.M25.Z				



QTY	DESCRIPTION	MATERIAL	COLOR	NOTE	ITEM NO.
1	HOOD	PA. 6.6-GF25	BLACK	-	3
PN 0-2	HG-Q.STO.1.M25.Z				



QTY	DESCRIPTION	MATERIAL	COLOR	NOTE	ITEM NO.
2	BUSH	BRASS	-	-	5
1	HOOD	PA. 6.6-GF25	SILVER	EMV	2
PN 0-3	HG-EMV-Q.STS.1.M25.Z				



QTY	DESCRIPTION	MATERIAL	COLOR	NOTE	ITEM NO.
2	BUSH	BRASS	-	-	5
1	HOOD	PA. 6.6-GF25	SILVER	EMV	4
PN 0-4	HG-EMV-Q.STO.1.M25.Z				

<small>THIS DRAWING IS A CONTROLLED DOCUMENT FOR TYCO ELECTRONICS CORPORATION. IT IS SUBJECT TO CHANGE AND THE CONTROLLING ENGINEERING ORGANIZATION SHOULD BE CONTACTED FOR THE LATEST REVISION.</small>		DWN Schneider 18.11.04 CHK R.Schneider 19.11.04 APVD T.Schnurfeil 19.11.04	tyco Electronics Tyco / Electronics AMP GmbH D - 53819, Neunkirchen, Germany
DIMENSIONS: mm	TOLERANCES UNLESS OTHERWISE SPECIFIED: 0 PLC ± 1 PLC ± 2 PLC ± 3 PLC ± 4 PLC ± ANGLES ± FINISH ±	PRODUCT SPEC 108-74XXX APPLICATION SPEC 114-74XXX	NAME HOOD ASSY. HG-Q.STO/STS.1.M25.Z
MATERIAL		WEIGHT 0.000 KG CUSTOMER DRAWING	SIZE CAGE CODE DRAWING NO RESTRICTED TO A2 00779 C-1103073
		SCALE 1:1	SHEET 1 OF 1 REV B2