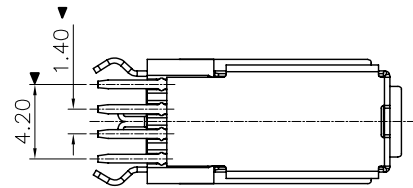
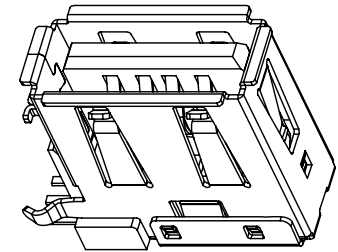
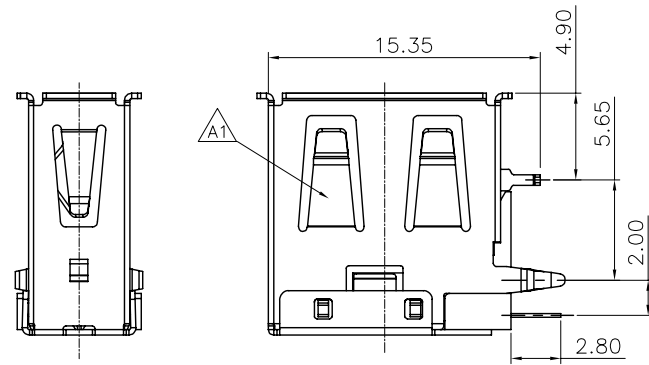
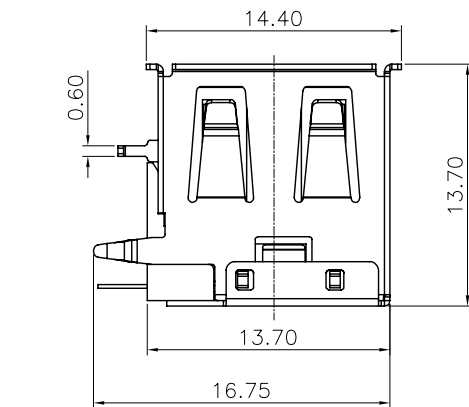
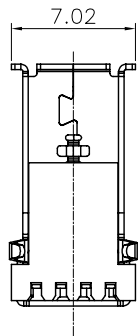
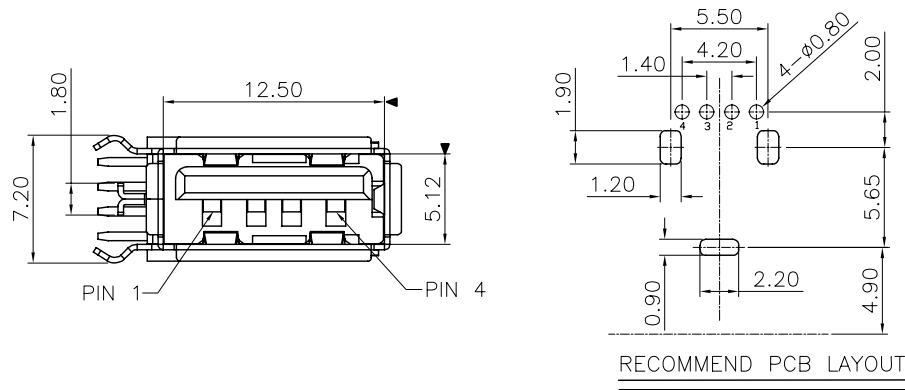


A1

NOTE:
 MATERIAL:
 HOUSING: PBT+30%GF (UL 94V-0)
 SHELL: BRASS C2680-H T=0.3mm
 TERMINAL: PHOSPHOR BRONZE C5191-H T=0.20mm
 SPECIFICATION:
 VOLTAGE CURRENT RATING: 1AMP 30V DC
 INSULATION RESISTANCE: 1000MΩ MIN
 CONTACT RESISTANCE TERMINAL: 30mΩ MAX
 WITHSTANDING VOLTAGE: 500V AC
 MATING FORCE: 30N MAX
 UNMATING FORCE: 10N MIN



11/12/17	XIE	EG-N1112018	(新開模)將原來四彈片加寬·增加插拔耐久力	A1	A1				
11/08/05	XIE		NEW DWG		A0				
DATE	DR.BY	ECN.NO.	DESCRIPTION	MARK	VER.				
-TOLERANCES- UNLESS OTHERWISE SPECIFIED 公差參考表			<h1 style="text-align: center;">CnC Tech,LLC</h1>						
X.X	±0.30	X.X°				±3.00°	APPD:	PRODUCT NO: 1001-008-01001	
X.XX	±0.25	X.XX°	±2.00°	CHECK:	DATE	SCALE	UNIT	TYPE	PAGE
X.XXX	±0.15	X.XXX°	±1.00°	DRAW:	2011.08.05	1:1	mm	Z	1/1