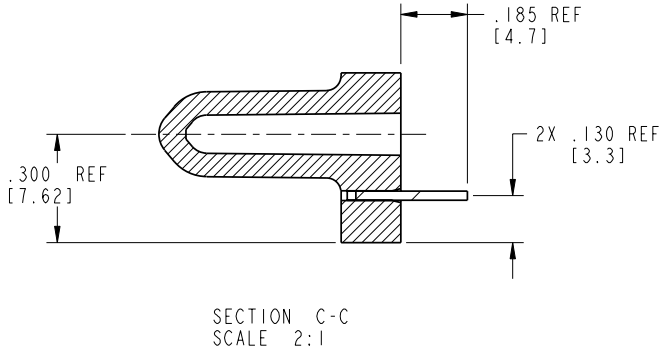
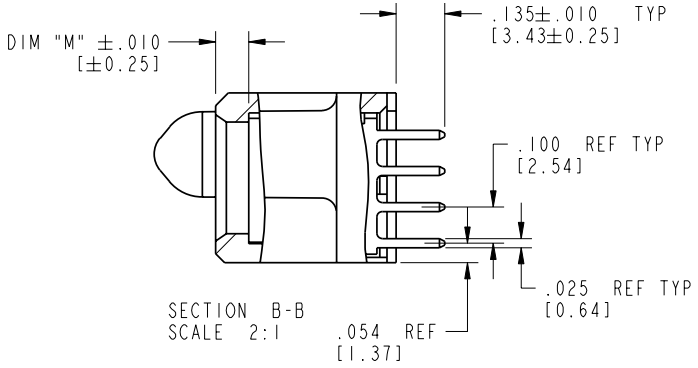
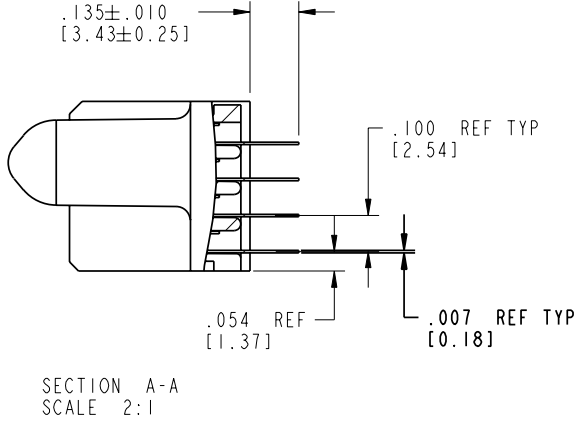


Tous droits strictement reserves. Reproduction ou communication a des tiers interdite sous quelque forme que ce soit sans autorisation écrite du propriétaire. Propriete de c FCI. Droits de reproduction FCI.

All rights strictly reserved. Reproduction or issue to third parties in any form whatever is not permitted without written authority from the proprietor. Property of FCI. Copyright FCI.

PRODUCT NUMBER
51752-022--
NOTE ③



| | | | | | | | | | |
|-------------|----------------|------------|------|---------------------------------------|-----------------------|----------|--|------------------------|------------------------|
| mat'l code | | SEE NOTE 2 | | tolerances unless otherwise specified | | CUSTOMER | | www.fciconnect.com | |
| lfr | ecn no. | dr | date | linear | .XX±.01/0.X±0.3 | COPY | | projection | title |
| A | | | | | .XXX±.005/0.XX±0.13 | INCH/MM | | | 20P + 24S |
| | | | | angles | .XXX±.002/0.XXX±0.051 | scale | | | VERTICAL SOLDER RECEPT |
| | | | | dr | 0°±2° | 1:1 | | product family | PwrBlade |
| | | | | enrg | RYAN YUAN 03/21/06 | size | | dwg no | 213 |
| | | | | chr | SALLY LUO 03/21/06 | A | | 51752-022 | sheet |
| | | | | appd | BEER FU 03/21/06 | | | | 2 of 4 |
| | | | | | JOSEPH HSIA 03/21/06 | | | | |
| sheet index | revision sheet | | | | | | | | |

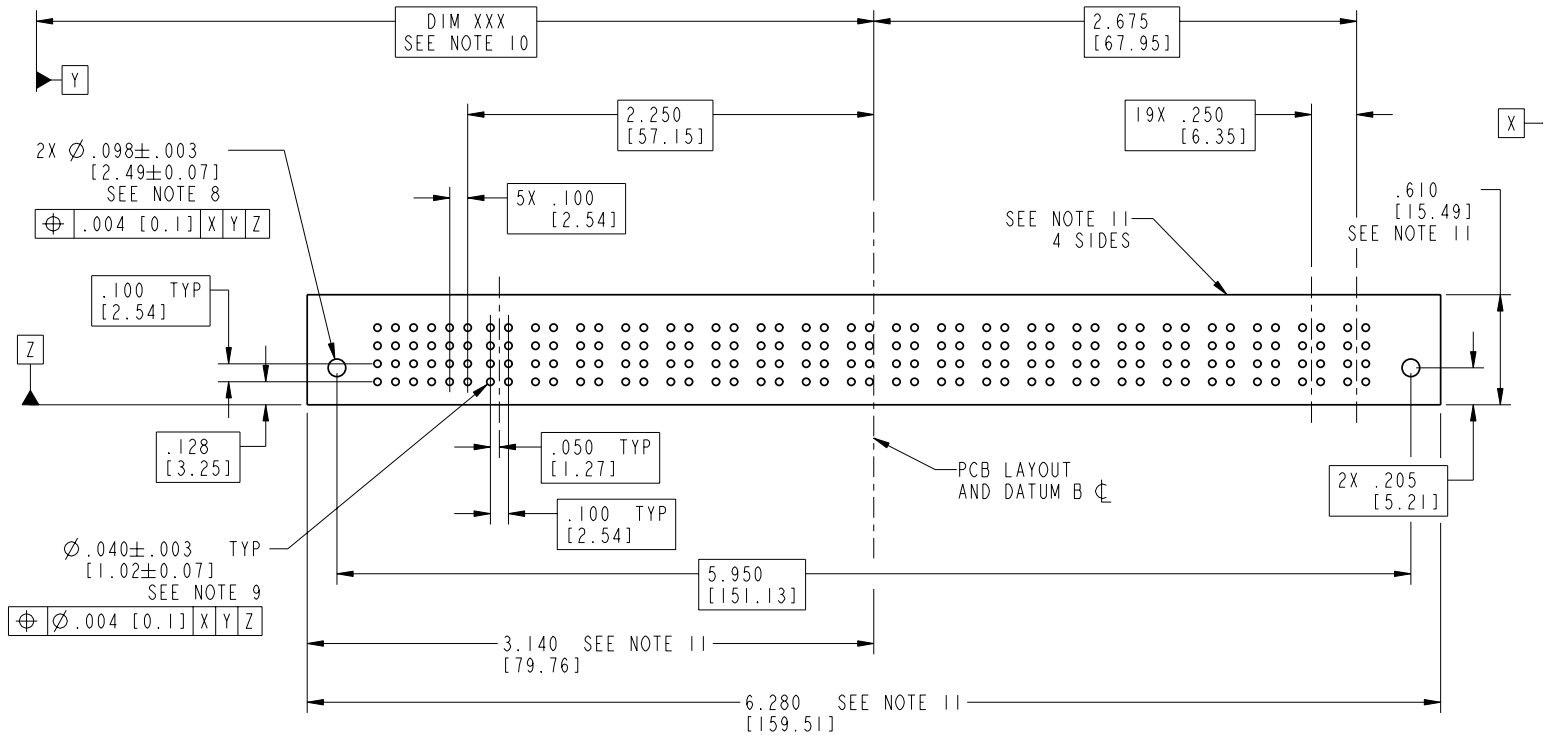
cage code 22526

Tous droits strictement reserves. Reproduction ou communication a des tiers interdite sous quelque forme que ce soit sans autorisation ecrite du proprietaire. Propriete de c FCI. Droits de reproduction FCI.



All rights strictly reserved. Reproduction or issue to third parties in any form without written authority from the proprietor. Property of FCI. Copyright FCI.

PRODUCT NUMBER
51752-022--
NOTE ③



| | | | | | | | | | |
|-------------|----------------|------------|------|---------------------------------------|-----------------------|----------------------|--|------------------------|------------------------|
| mat'l code | | SEE NOTE 2 | | tolerances unless otherwise specified | | CUSTOMER | | www.fciconnect.com | |
| lfr | ecn no. | dr | date | linear | .XX±.01/0.X±0.3 | COPY | | projection | title |
| A | | | | | .XXX±.005/0.XX±0.13 | | | | 20P + 24S |
| | | | | angles | .XXX±.002/0.XXX±0.051 | | | | VERTICAL SOLDER RECEPT |
| | | | | dr | 0°±2° | RYAN YUAN 03/21/06 | | INCH/MM | product family |
| | | | | enrg | | SALLY LUO 03/21/06 | | scale | PwrBlade |
| | | | | chr | | BEER FU 03/21/06 | | 1:1 | code |
| | | | | appd | | JOSEPH HSIA 03/21/06 | | | 213 |
| sheet index | revision sheet | | | | | | | | size |
| | | | | | | | | | dwg no |
| | | | | | | | | | 51752-022 |
| | | | | | | | | | sheet |
| | | | | | | | | | 3 of 4 |

cage code 22526

Tous droits strictement réservés. Reproduction ou communication à des tiers interdite sans quelque forme que ce soit sans autorisation écrite du propriétaire. Propriété de c FCI. Droits de reproduction FCI.



All rights strictly reserved. Reproduction or issue to third parties in any form whatever is not permitted without written authority from the proprietor. Property of FCI. Copyright FCI.

1 | 2

3 |

4

PRODUCT NUMBER
51752-022--
NOTE ③

NOTES:

1. DIMENSIONS AND TOLERANCES ARE IN ACCORDANCE WITH ASME Y14.5M, 1994 UNLESS OTHERWISE SPECIFIED.

CONNECTOR NOTES:

② HOUSING MATERIAL: UL 94 V-0 GLASS FILLED HIGH-TEMP THERMOPLASTIC
POWER CONTACT MATERIAL: COPPER ALLOY
SIGNAL PIN MATERIAL: COPPER ALLOY

③ PLATING:
SEE PRINT I0064183 FOR PLATING SPEC OF 51752-022; 51752-022LF

④ MANUFACTURER'S NAME, P/N, AND DATE CODE TO APPEAR ON THIS SURFACE.

5. PRODUCT SPECIFICATION GS-12-149.
APPLICATION SPECIFICATION BUS-20-067.

6. PACKAGED IN TRAYS.

PCB NOTES:

7. ALL HOLE DIAMETERS ARE FINISHED HOLE SIZE.

⑧ MOUNTING HOLES, WHERE APPLICABLE, ARE UNPLATED.

⑨ $\varnothing .0453 \pm .0010$ [1.151 \pm 0.025] DRILLED HOLES PLATED WITH
.0003 [0.008] MIN SnPb OVER .001 [0.03]
TO .003 [0.08] Cu PLATING TO ACHIEVE
 $\varnothing .040 \pm .003$ [1.02 \pm .07] HOLE.

⑩ "DIM XXX" TO BE DETERMINED BY THE CUSTOMER.

⑪ CONNECTOR KEEP-OUT ZONE.

A

A

B

B

| | | | | | | | | | | |
|-------------|---------|----------------|------|------------|---------------------------------------|------------|----------|------------------------|-----------------|--------|
| mat'l code | | | | SEE NOTE 2 | tolerances unless otherwise specified | | CUSTOMER | | | |
| lfr | ecr no. | dr | date | linear | .XX±.01/0.X±0.3 | COPY | | www.fciconnect.com | | |
| A | | | | linear | .XXX±.005/0.XX±0.13 | projection | | | title 20P + 24S | |
| | | | | angles | .XXX±.002/0.XXX±0.051 | | | VERTICAL SOLDER RECEPT | | |
| | | | | dr | RYAN YUAN 03/21/06 | INCH/MM | | product family | PwrBlade | code |
| | | | | engr | SALLY LUO 03/21/06 | scale | | size | dwg no | 213 |
| | | | | chr | BEER FU 03/21/06 | 1:1 | | A | 51752-022 | sheet |
| | | | | appd | JOSEPH HSIA 03/21/06 | | | | | 4 of 4 |
| sheet index | | revision sheet | | | | | | | | |

1 | 2

Pro/E

3 |

cage code 22526

4