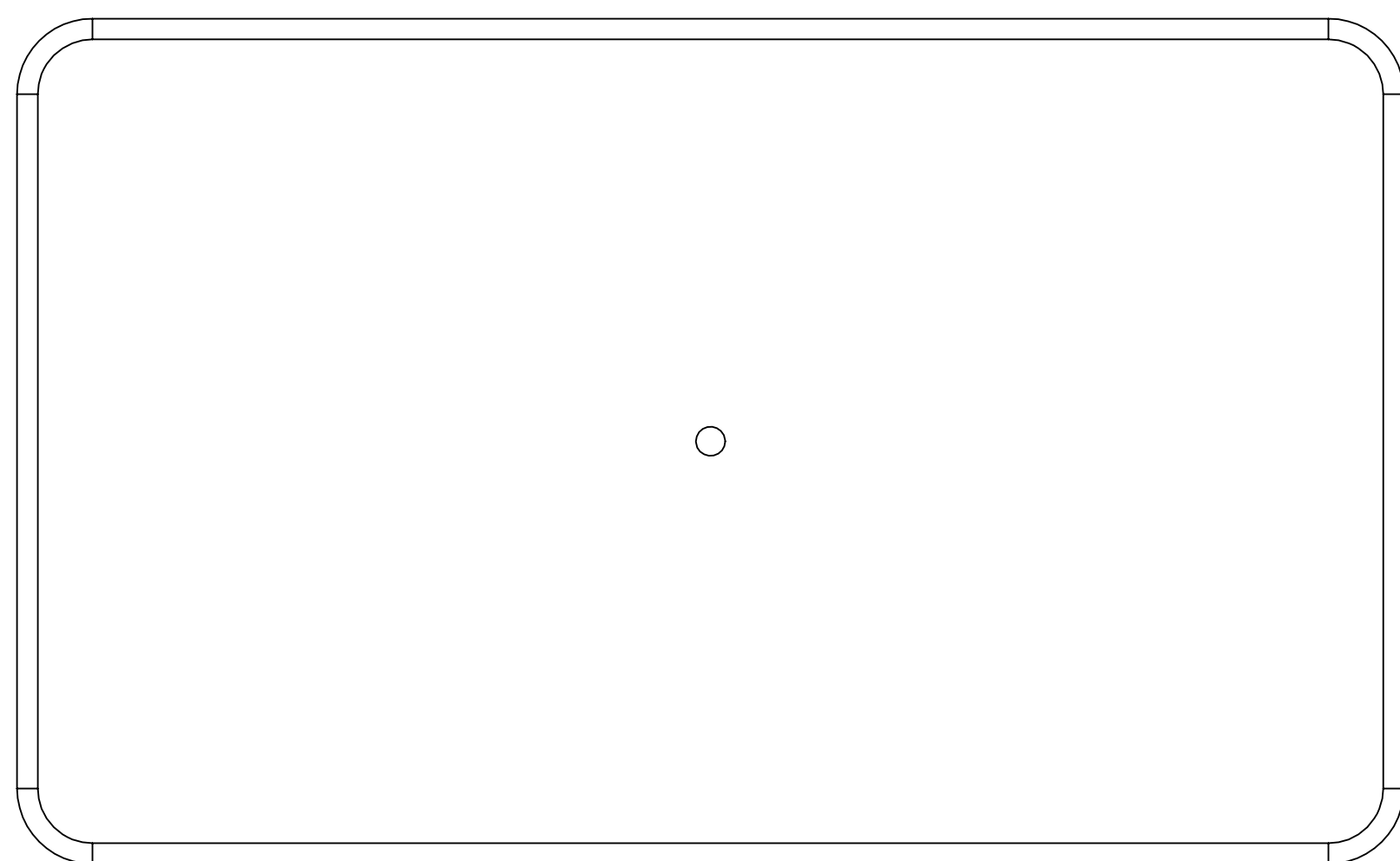
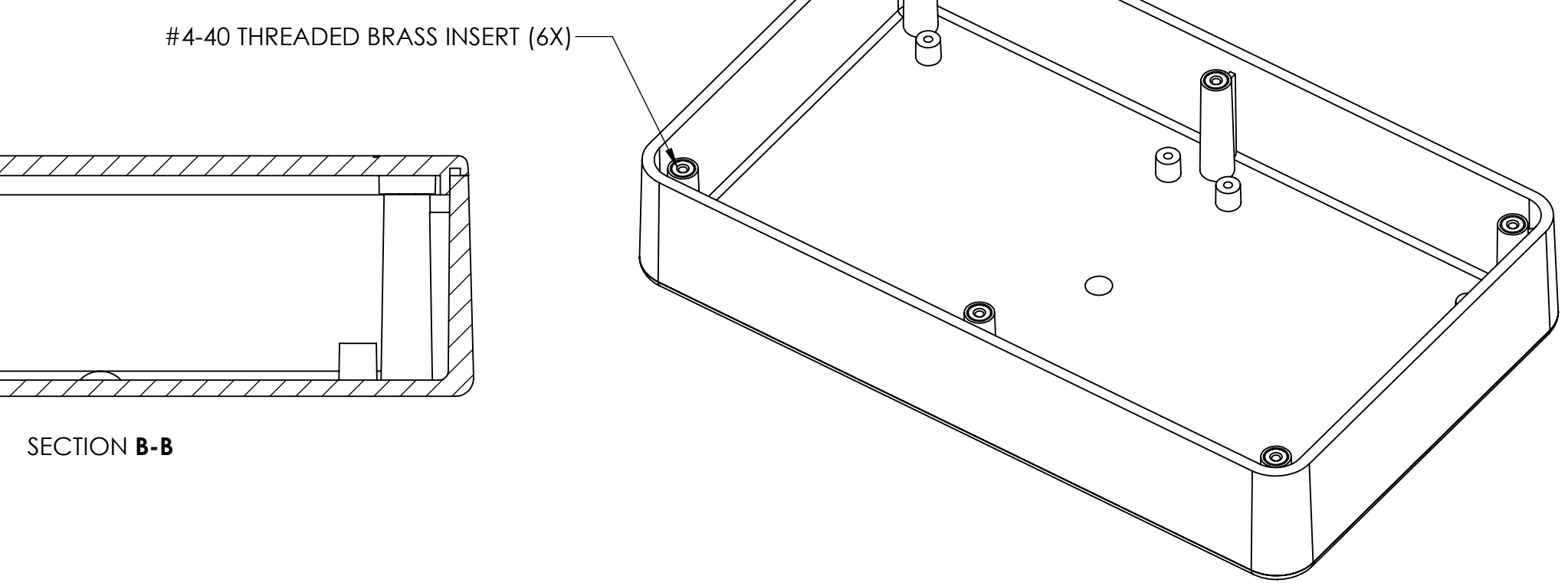
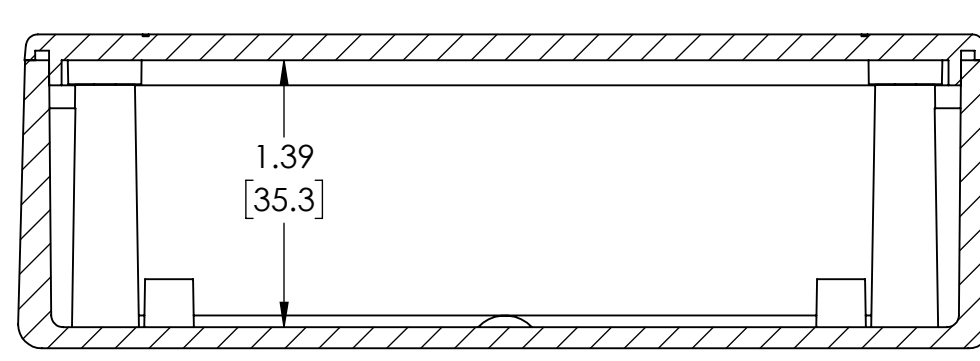
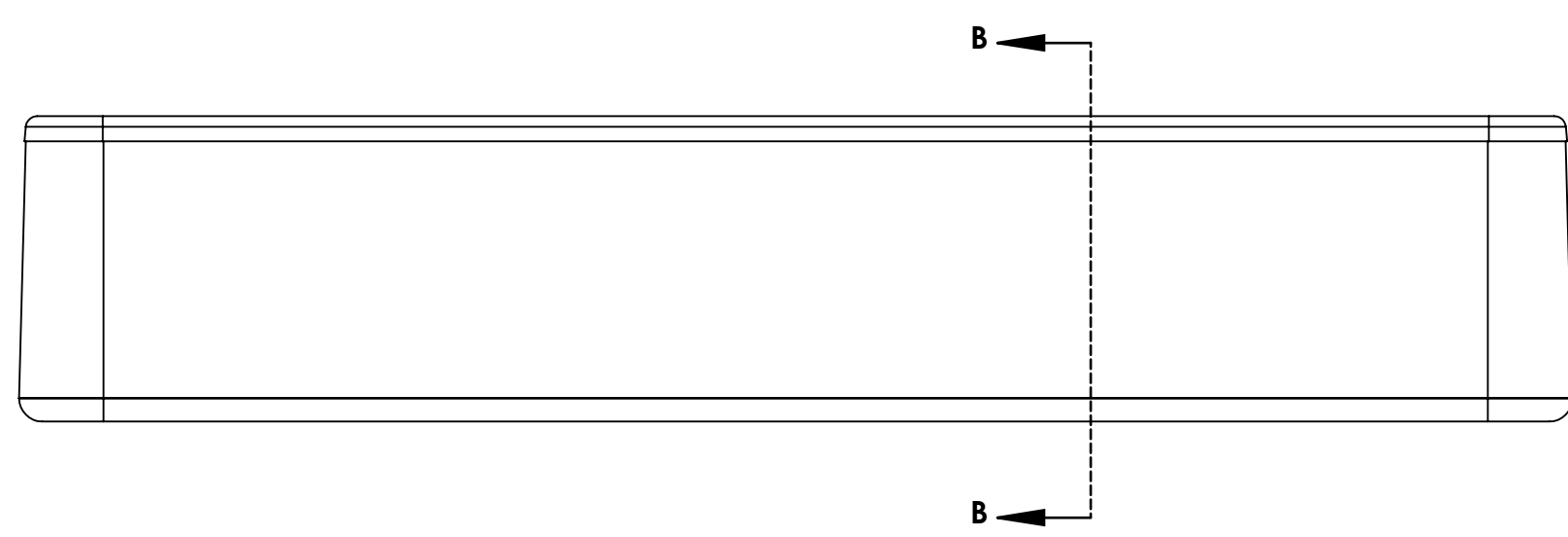
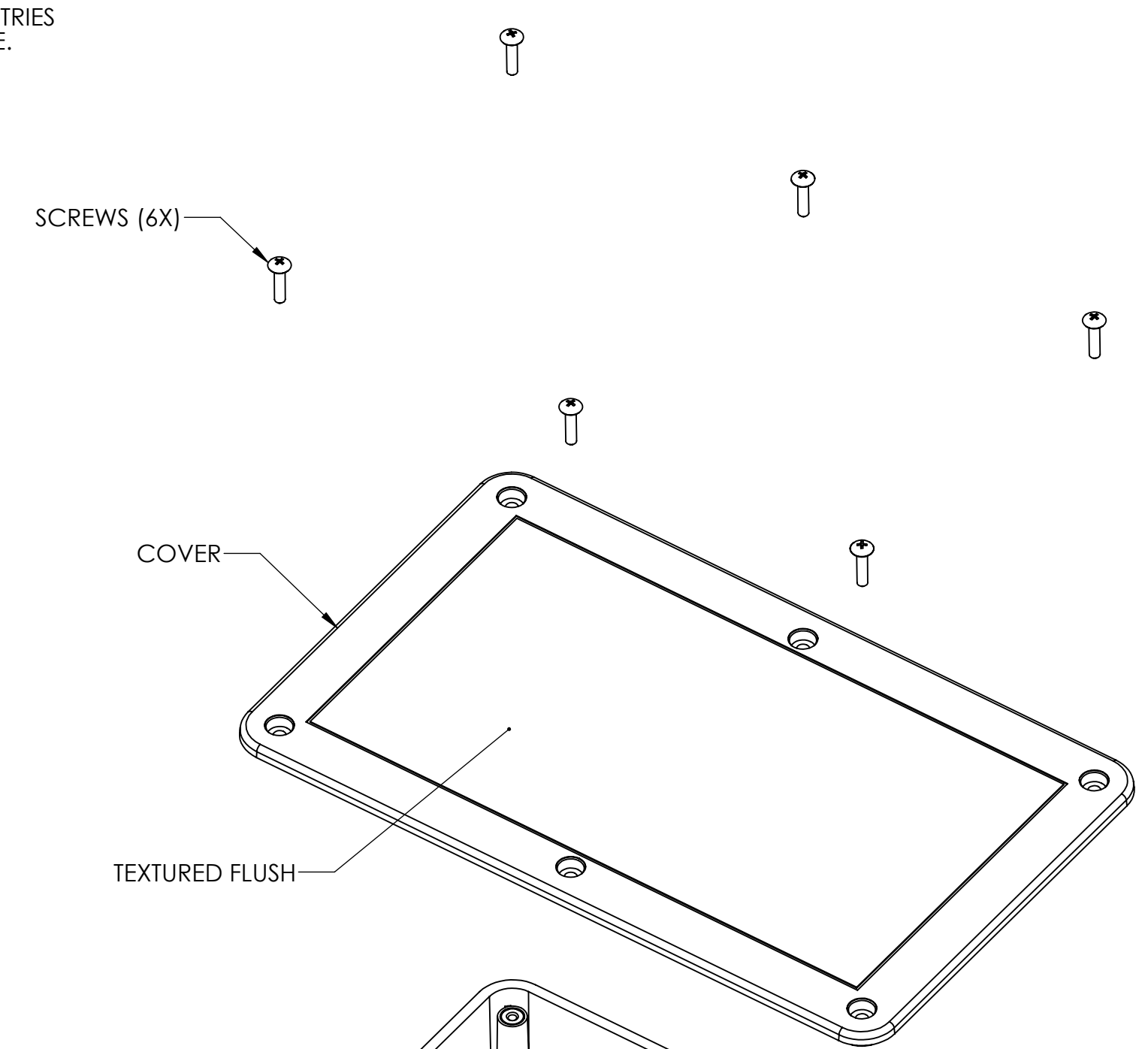
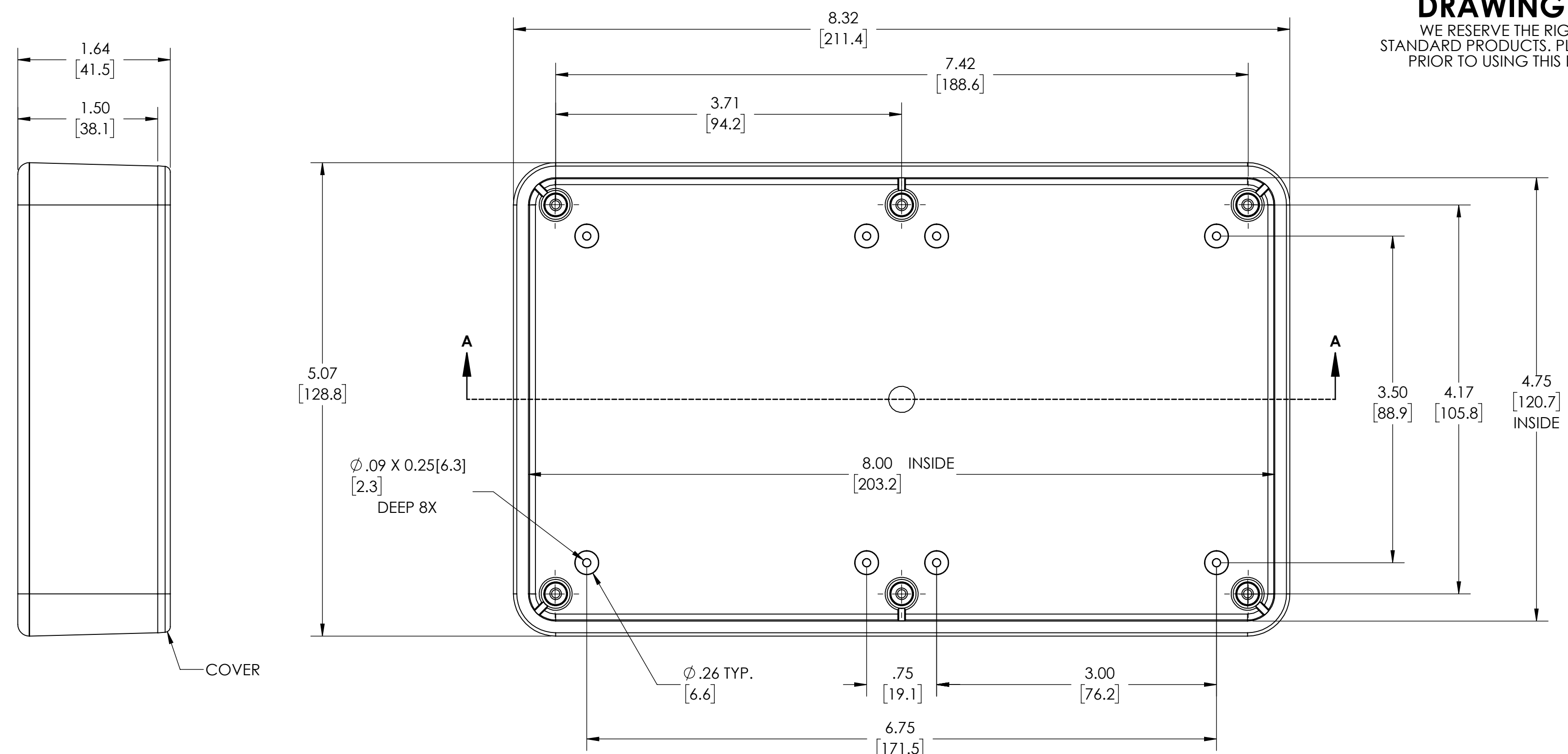
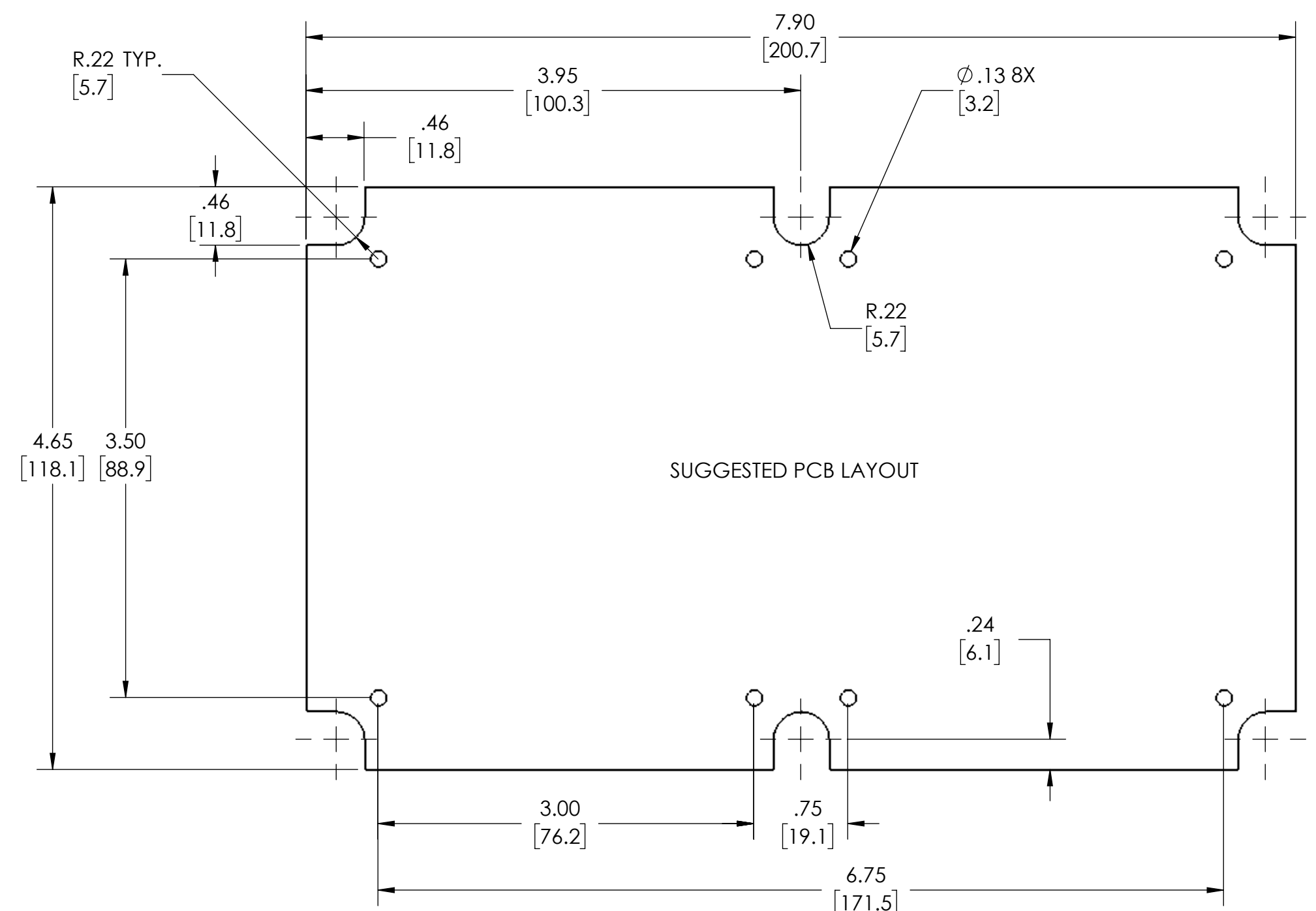


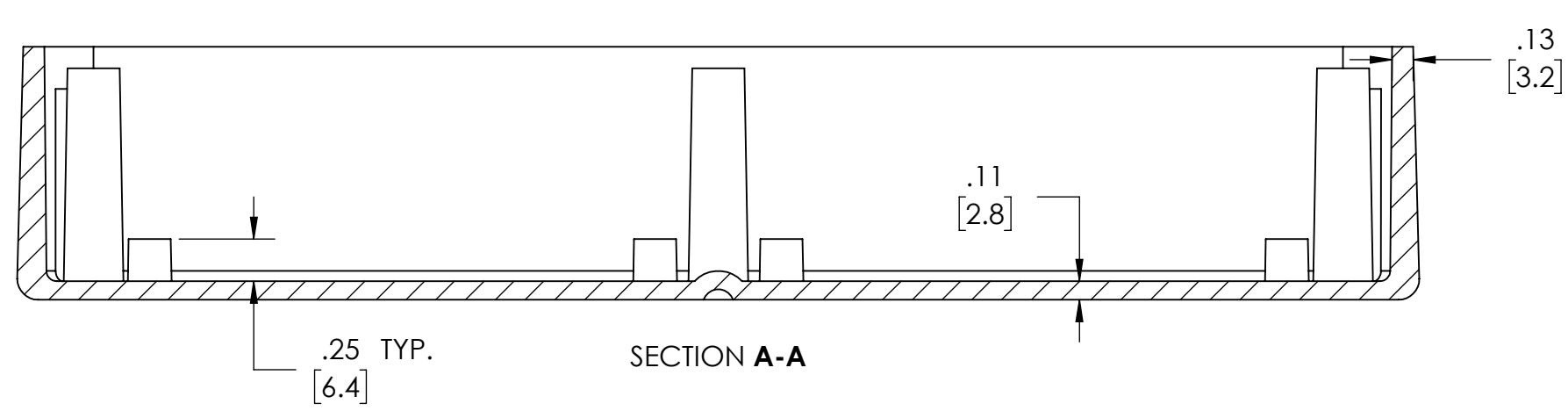
DRAWING FOR REFERENCE
 WE RESERVE THE RIGHT TO MAKE CHANGES TO OUR
 STANDARD PRODUCTS. PLEASE CONSULT WITH BUD INDUSTRIES
 PRIOR TO USING THIS DRAWING FOR DESIGN PURPOSE.



BOTTOM VIEW



SUGGESTED PCB LAYOUT



SECTION A-A

NOTES:
 1- MATERIAL: BASE & TEXTURED FLUSH COVER - BLACK ABS UL94-5VA
 2- DIMENSIONS ARE INCH [MM]